



# USER GUIDE

## power bank

## Specification

Capacity:5000mAh3.7V 18.5Wh

Input

PD20W/ 5V 3A/ 9V 2A/ 12V 1.56A

Output

Lightning cable:5V 1A

Type-c cable:5V 1A

I watch Wireless:2.5W(max)

Product name:

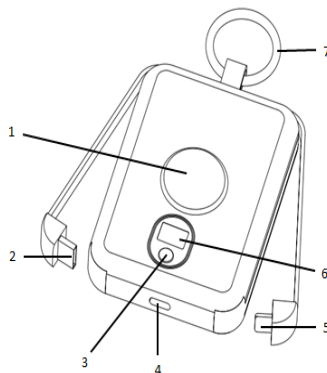
Portable i-Watch Charger

Dimension:9.5\*6.8\*16 mm

Model:H305

Wight: ≈136g

## Product Overview



- 1.Apple Watch Wireless Output
- 2.Type-c Cable
- 3.Power Button
- 4.Dual Way USB-C
- 5.Lightning Cable
- 6.Digital Power Display
- 7.Keychain

## Function

### Power Botton Description

- 1.power on:Press once to power on,then the LED displays the battery status,the power bank is activated,starts charging.  
\*It turns on automatically when the built-in cable is plugged into the device.
- 2.power off:Double-click the button to turn off the battery indicator and output stop.It automatically turns off in 30 seconds under no load status.

### Charging

Use the included charging cable to connect the power and adapter,The LED digital power display blinks while charging.

It shows 100% after fully charged and Automatically stops charging.

### Charging Method

- 1.Charging Apple Watch: Turn on the power,the digital display is on, place your Apple Watch on the magnetic charging area,starts charging.
- 2.Charging iphone/AirPods: Turn on the power,the digital display is on, pull out the lightning cable attached to the side of the power bank and insert it into the iphone/AirPods charging port to start charging.
- 3.Charging Other Devices: Turn on the power,the digital display is on, pull out the Type-C cable attached to the side of the power bank and insert it into the devices and start charging.
- 4.You can use your own C port cable to connect the device to charge.

## Included Components

Power Bank	X1
USB-A to USB-C cable	X1
Packag box	X1
User Manual	x1

## About FCC

This device complies with part 15 of the FCC Rules. Operation is subject to the following two conditions:

- (1) this device may not cause harmful interference
- (2) this device must accept any interference received, including interference that may cause undesired operation.

## FCC Warning:

Any changes or modifications not expressly approved by the party responsible for compliance could void the user's authority to operate the equipment.

NOTE: This equipment has been tested and found to comply with the limits for a Class B digital device, pursuant to Part 15 of the FCC Rules. These limits are designed to provide reasonable protection against harmful interference in a residential installation. This equipment generates, uses and can radiate radio frequency energy and, if not installed and used in accordance with the instructions, may cause harmful interference to radio communications. However, there is no guarantee that interference will not occur in a particular installation. If this equipment does cause harmful interference to radio or television reception, which can be determined by turning the equipment off and on

the user is encouraged to try to correct the interference by one or more of the following measures:

- Reorient or relocate the receiving antenna.
- Increase the separation between the equipment and receiver.
- Connect the equipment into an outlet on a circuit different from that to which the receiver is connected.
- Consult the dealer or an experienced radio/TV technician for help.

The device has been evaluated to meet general RF exposure requirement.

The device can be used in portable exposure condition without restriction