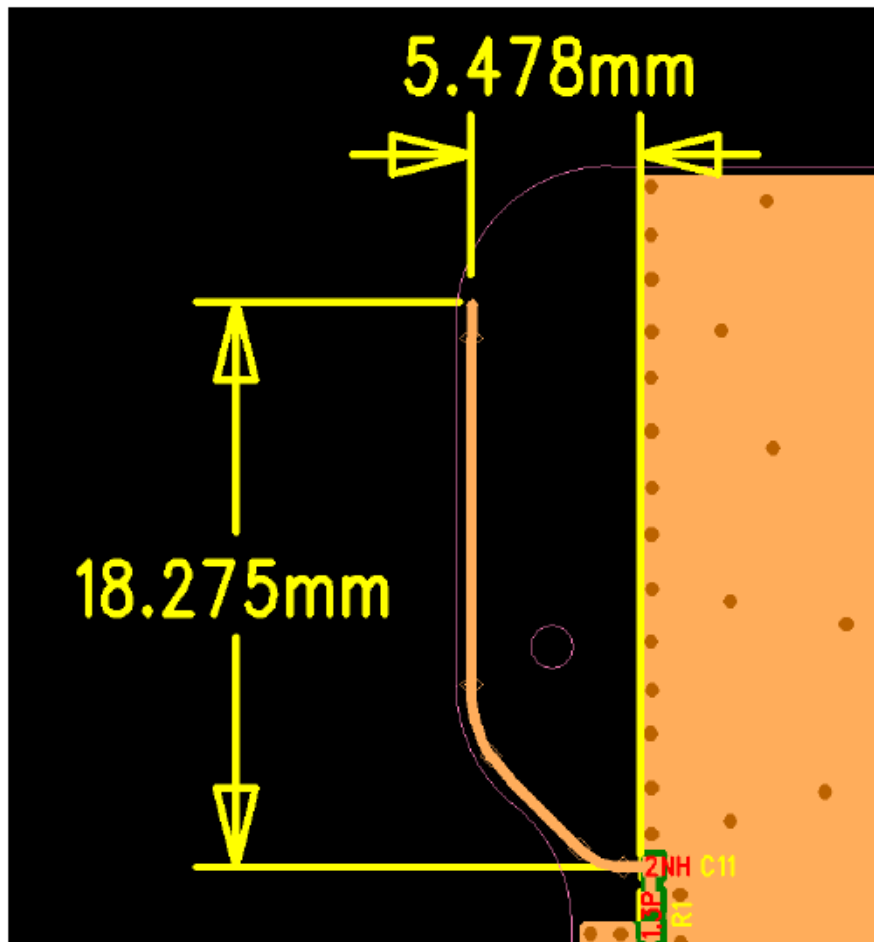


Antenna Specification

Summary

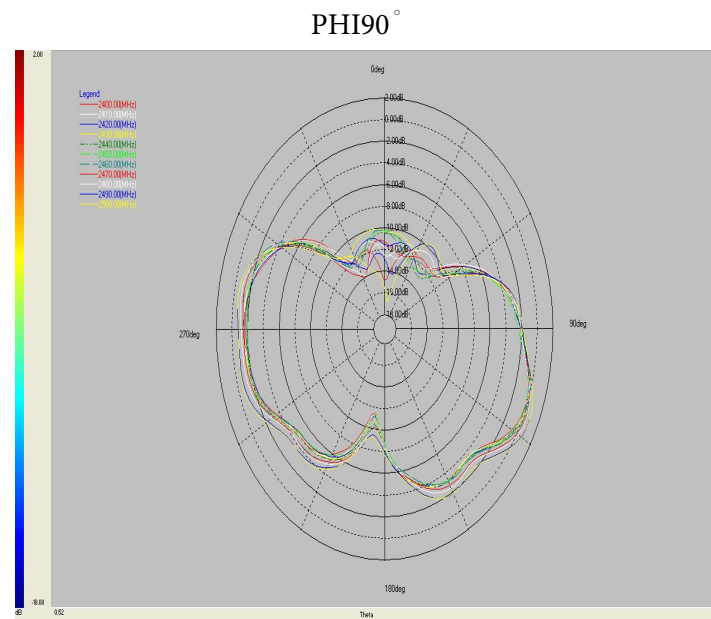
ITEM	ANT SPEC
Model Name	2.4G ANT
MAX. Gain	1.08dBi
Polarization	Horizontal and Vertical
Azimuth Beam Pattern	Omni-directional
Impedance	50 Ohm
Antenna Length	38.20mm
Manufacture	Daximen (Shenzhen) Technology Co., Ltd.

Antenna Photo & Length (mm)



4. 2D Radiation characteristics of antenna

4.1 characteristics of antenna(VEC 03)



Frequency VNA (MHz)	Gain (Peak) (dBi)
2400MHz	0.0403503
2410MHz	0.0886264
2420MHz	0.267381
2430MHz	0.193012
2440MHz	0.26366
2450MHz	0.0723139
2460MHz	0.36895
2470MHz	0.551525
2480MHz	0.640702
2490MHz	1.05232
2500MHz	1.08443