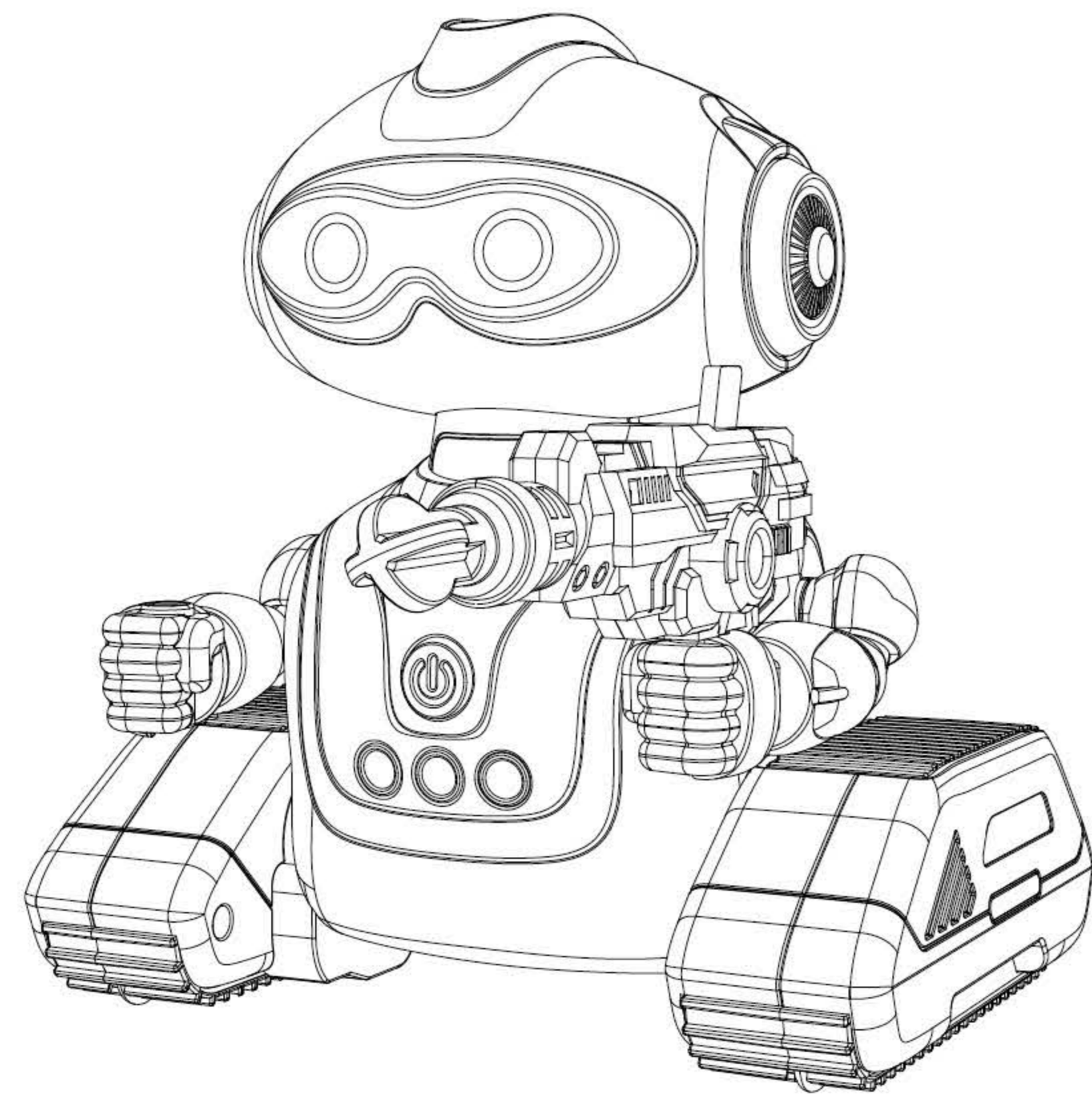


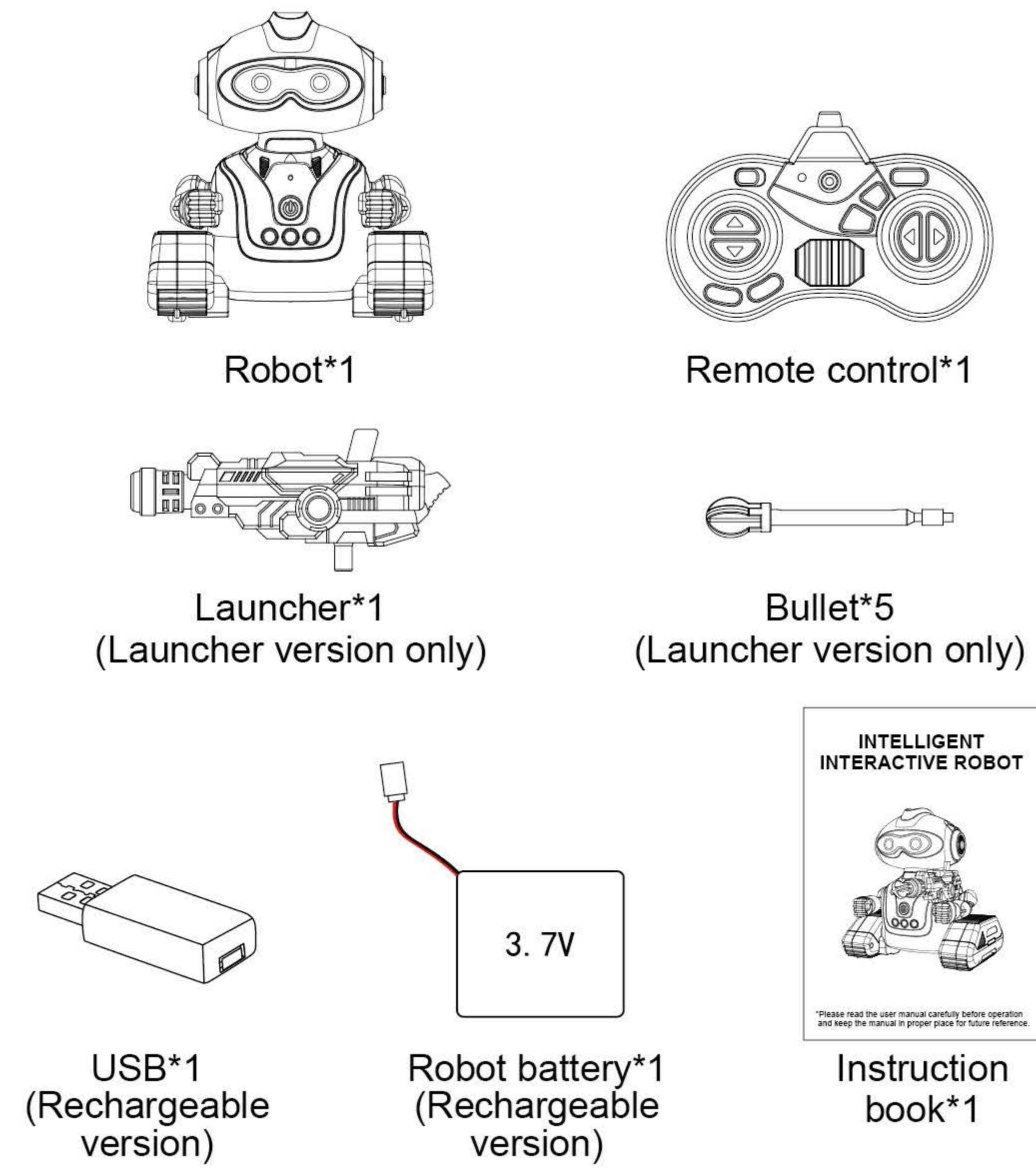
# R/C TOYS



NO.:R22

\*Please read the user manual carefully before operation and keep the manual in proper place for future reference.

## Original Accessories List



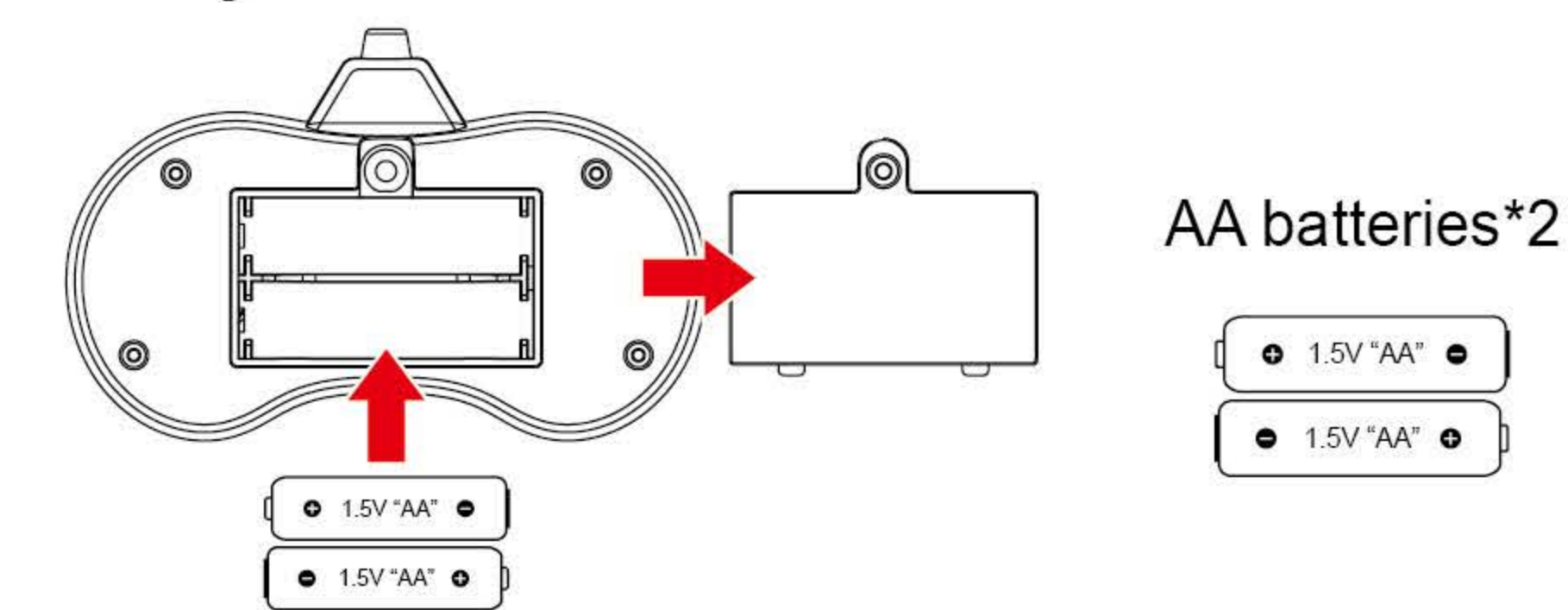
### Notes:

Please check the number of accessories carefully (as shown above). Please provide proof of purchase and contact the store for replacement if any part is missing.

1

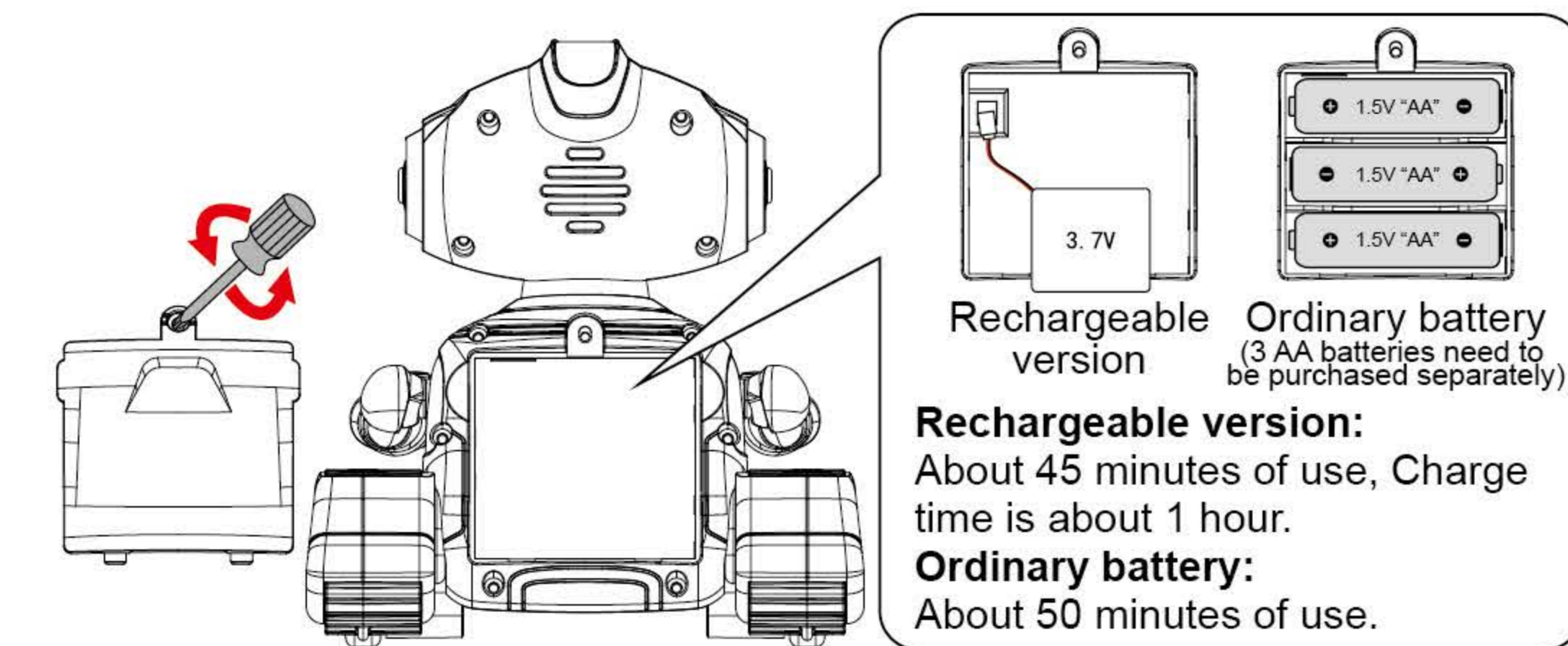
## Battery Assembly and Charging

### 1. Battery installation for remote control



Open the cover of battery compartment, insert two AA batteries (not included).

### 2. Battery installation for robot



Use a screwdriver to loosen the screw on the battery compartment of the robot, open the battery cover, and put the lithium battery correctly or put 3 AA batteries.

### Notes:

1. When loading the battery, check the positive and negative poles of the battery, and do not install the battery in reverse.
2. Do not mix old and new batteries.
3. Do not mix different types of batteries.

2

## Precautions for Battery Use

- There is a certain risk when using battery. It may cause fire, body injury or property loss. Users must be aware of the risks and take full responsibility of using battery improperly.
- If the battery leaks, keep the leaking liquid away from your skin and eyes. In case of contact with skin, wash immediately with water. In case of contact with eyes, rinse immediately with plenty of cold water and seek medical attention immediately.
- Remove the power immediately if the charger gives off abnormal reactions such as peculiar smell, noise, or smoke.

### Battery charging

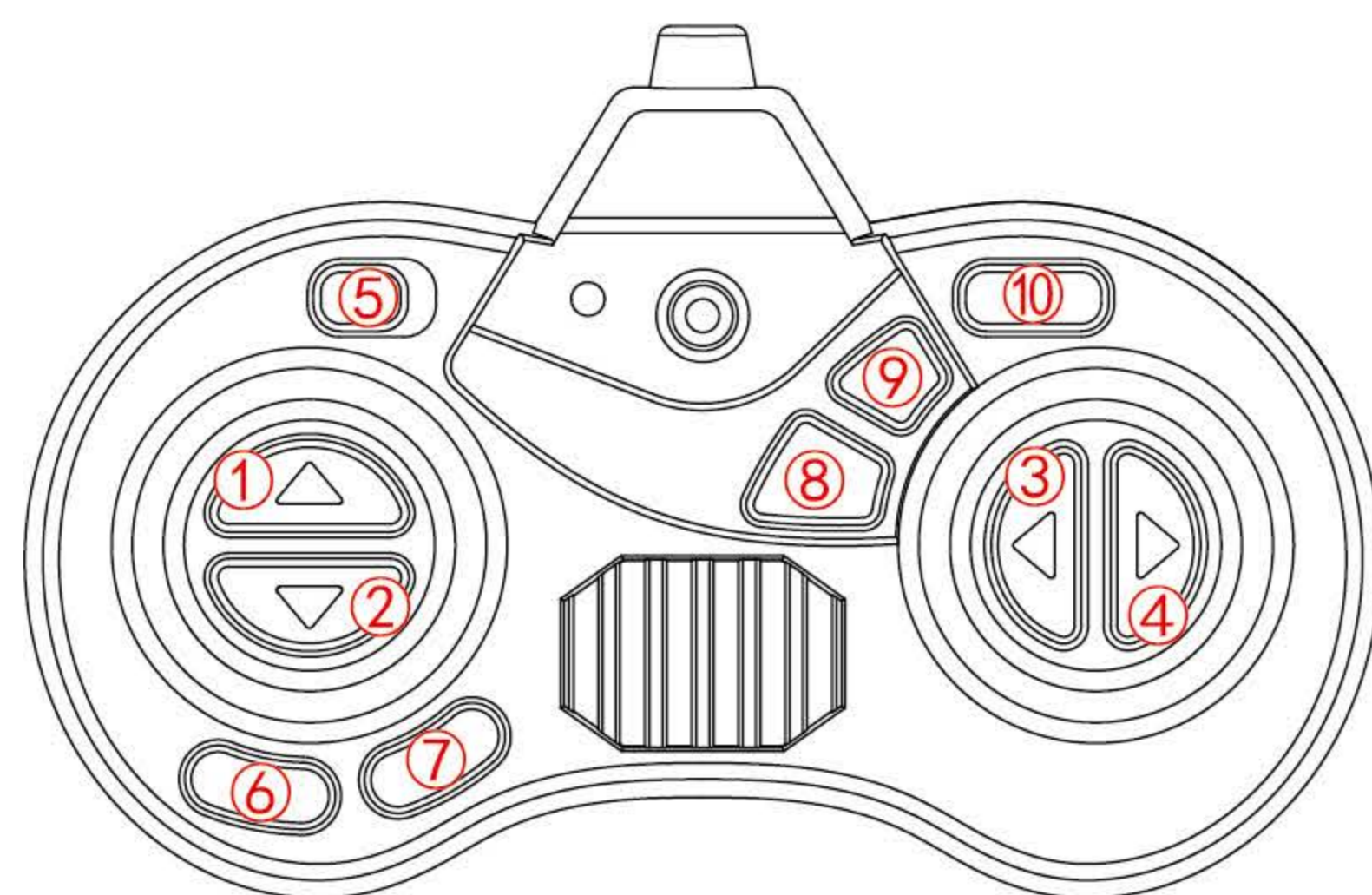
- Please use the USB cable of the original manufacturer to charge. The USB cable of other brands and also the damaged one is strictly prohibited.
- Do not charge the expanded, leaked or damaged battery.
- Do not overcharge the battery. When the battery is fully charged, remove the charger.
- Keep away from flammable objects (carpet, wood floor, solid wood furniture, etc.) when charging, do not charge on the surface that conducts electricity. Keep the battery in sight when charging
- Do not charge the battery while it is still hot after use.
- The charging temperature of the battery should be between 0°C and 40°C.

### Recycle

The device consists of electronic components and batteries. For electronic Waste, please carry out special treatment according to local waste disposal requirements.

3

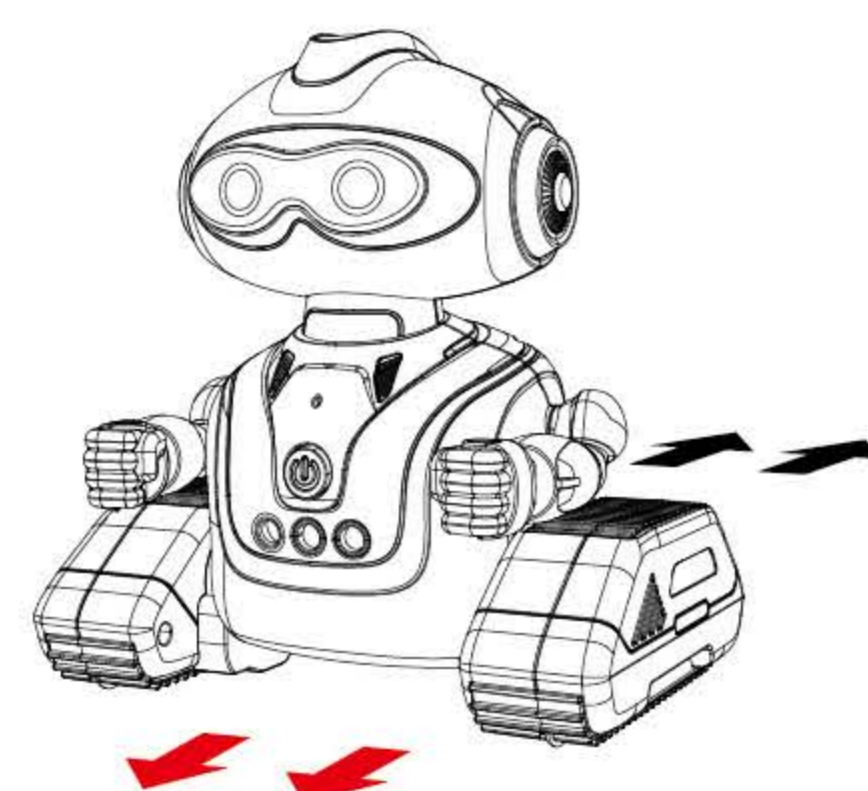
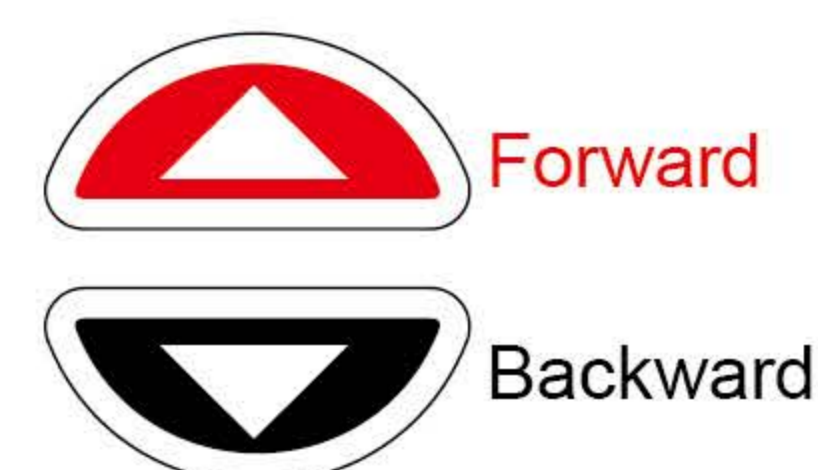
## Know Your Remote Control



1. Forward
2. Backward
3. Turn left
4. Turn right
5. Power switch
6. Program/Demo
7. Volume +/-
8. Popular science
9. Music
10. Record

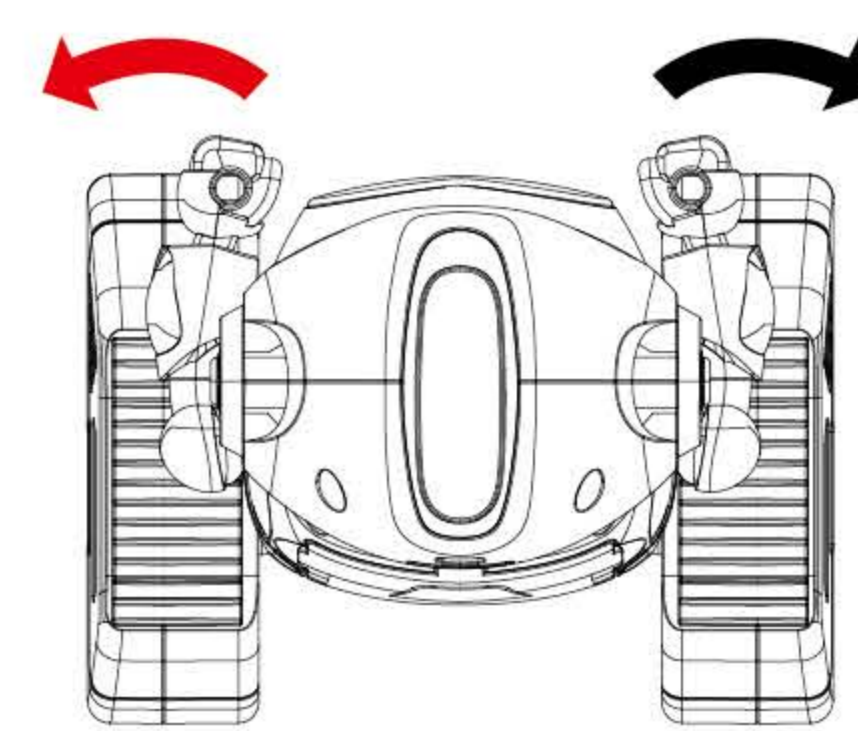
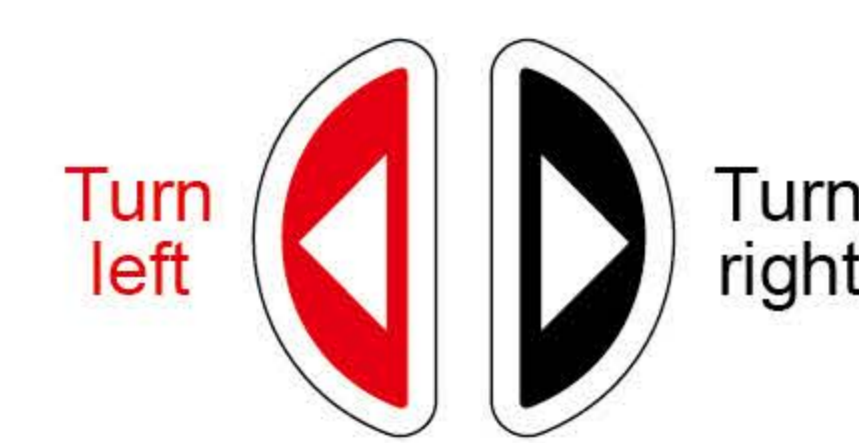
## Control Your Robot

### 1. Forward/Backward



4

### 2. Turn left/Turn right



### 3. Program/Demo

Short press the "Program/Demo" button, the robot sounds a "DI", then you can input the command using the buttons. Total about 28 commands can be inputted. Short press the "Program/Demo" button again, the robot sounds "DIDI" and execute the program. Long press the "Program/Demo" button for 2 seconds, the robot starts the built-in demo function, press any button to cancel the demo.

### 4. Volume +/-

Press the "Volume +/-" button to adjust the volume of the robot to increase or decrease.

### 5. Popular science

Press the "Popular Science" button, the robot will talk about a popular science knowledge, press again to switch the next popular science knowledge.

### 6. Music

Press the "Music" button and the robot plays music. Press it again to switch to the next music.

### 7. Record

Long press the "Record" button for 2 seconds to enable the recording function of the robot. Recording time can be up to 30 seconds. Short press "Record" again to play.

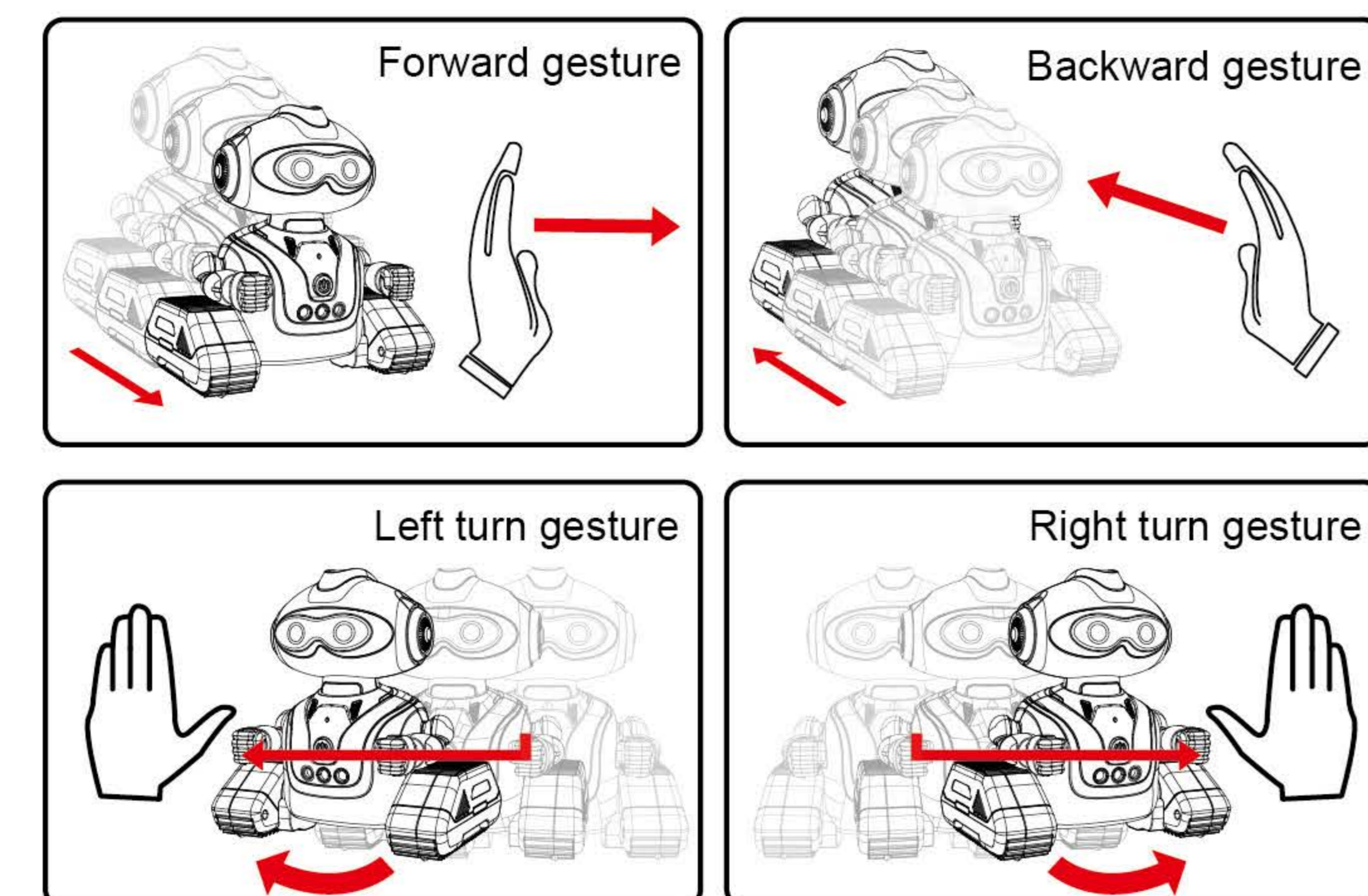
5

### 8. Touch function

Touch the robot's head and it makes cute sound effects and performs an action.

### 9. Gesture Sensing (Gesture sensing is enabled by default when the robot is switched on)

Gesture sensing works on standby. Forward, backward, left, and right turns are controlled by hand gestures, accompanied by sound effects.

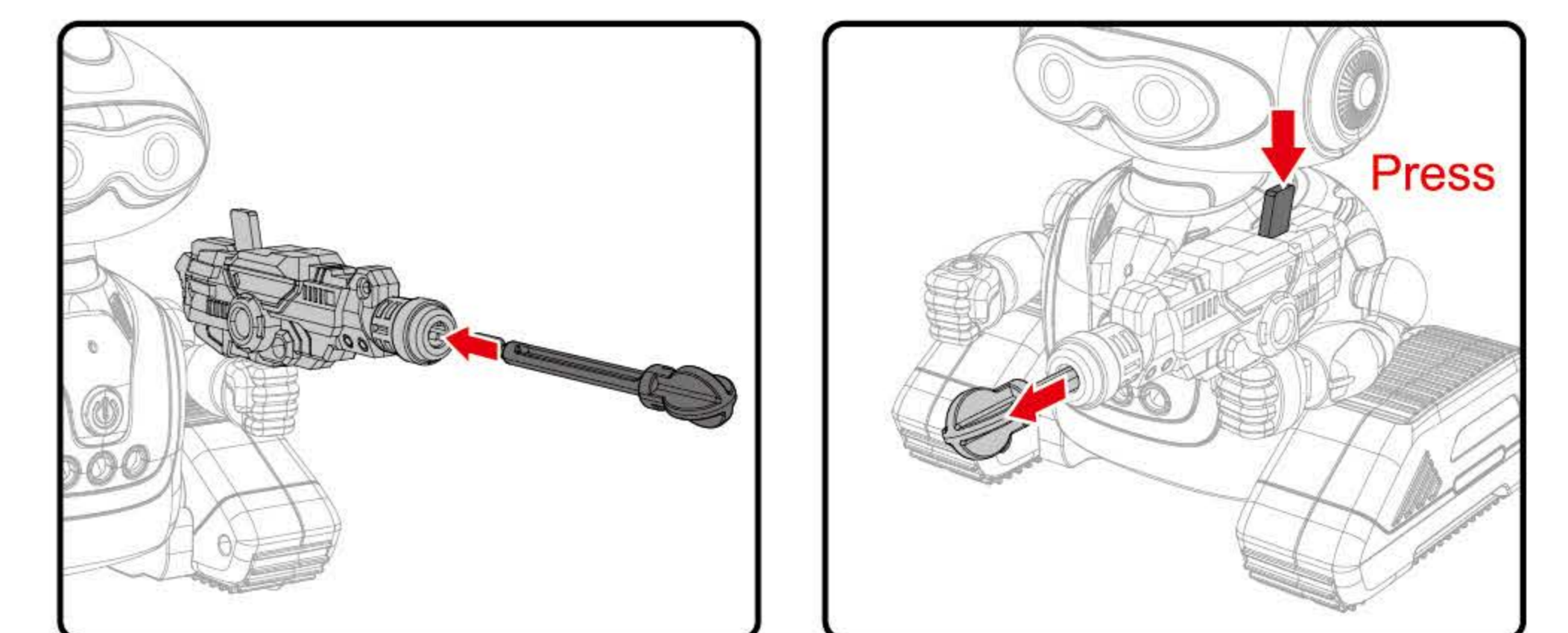


### Notes:

1. The sensing distance of the robot is about 30cm. When it detects an object in front of it, the robot will automatically retreat backwards.
2. When switching on the robot, the position must avoid too high. Avoid falling damage caused by retreating backward after the robot automatically starts the sensing.

6

## Fire a Bullet (Launcher version only)



Load the bullet

Fire a bullet

Any changes or modifications not expressly approved by the party responsible for compliance could void the user's authority to operate the equipment.  
This device complies with Part 15 of the FCC Rules. Operation is subject to the following two conditions:  
(1) this device may not cause harmful interference, and  
(2) this device must accept any interference received, including interference that may cause undesired operation.  
Note: This equipment has been tested and found to comply with the limits for a Class B digital device, pursuant to Part 15 of the FCC Rules. These limits are designed to provide reasonable protection against harmful interference in a residential installation. This equipment generates, uses, and can radiate radio frequency energy, and if not installed and used in accordance with the instructions, may cause harmful interference to radio communications. However, there is no guarantee that interference will not occur in a particular installation. If this equipment does cause harmful interference to radio or television reception, which can be determined by turning the equipment off and on, the user is encouraged to try to correct the interference by one or more of the following measures:  
- Reorient or relocate the receiving antenna.  
- Increase the separation between the equipment and receiver.  
- Connect the equipment into an outlet on a circuit different from that to which the receiver is connected.  
- Consult the dealer or an experienced radio/TV technician for help.  
\* CAUTION: Any changes or modifications not expressly approved could void the user's authority to operate the equipment.\*  
The device has been evaluated to meet general RF exposure requirement.

USA Address: 5354 Irwindale Ave Unit A Irwindale CA 91706  
Tel.: 626-330-1988

7