

天线产品规格书

PRODUCT SPECIFICATION

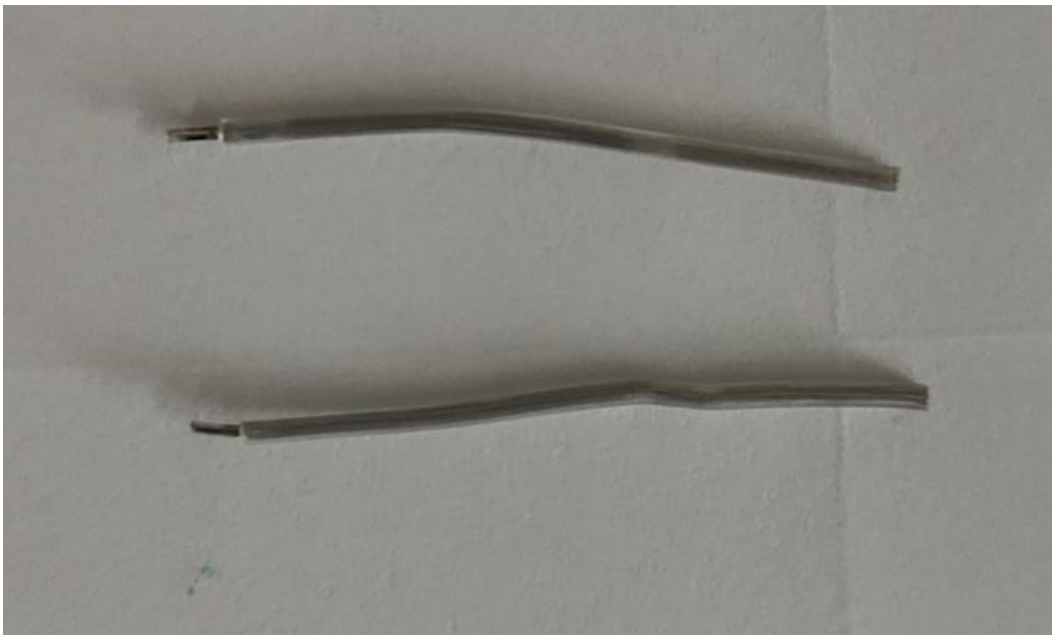
1、产品技术指标 (PRODUCT TECHNICAL SPECIFICATION)

电性能指标 Electrical Specifications	
频率范围 Frequency Range (MHz)	2400-2500
频带宽度 Bandwidth (MHz)	100
输入阻抗 Input Impedence (Ω)	50
电压驻波比 V.S.W.R	≤ 2
增益 Gain (dBi)	$0 \pm 0.8\text{dBi}$
极化形式 Polarization Type	垂直 Vertical
雷电保护 Lightning Protection	Ac ground
功率容量 Power Capacity (w)	0.5
机械指标 Mechanical Specifications	
天线长度 Antenna Length (mm)	$\text{\O}1.5 \times 35$
辐射体 Radiator	铜 Cu
连接器型号 Connect Type	Direct welding
工作温度 Working Temp($^{\circ}\text{C}$)	-40~65
储藏温度 Storage Temperature($^{\circ}\text{C}$)	-40~80
颜色 Color	Transparent
重量 Weight (g)	0.14g(3.5cm)
天线类型 Antenna Type	Wire antenna

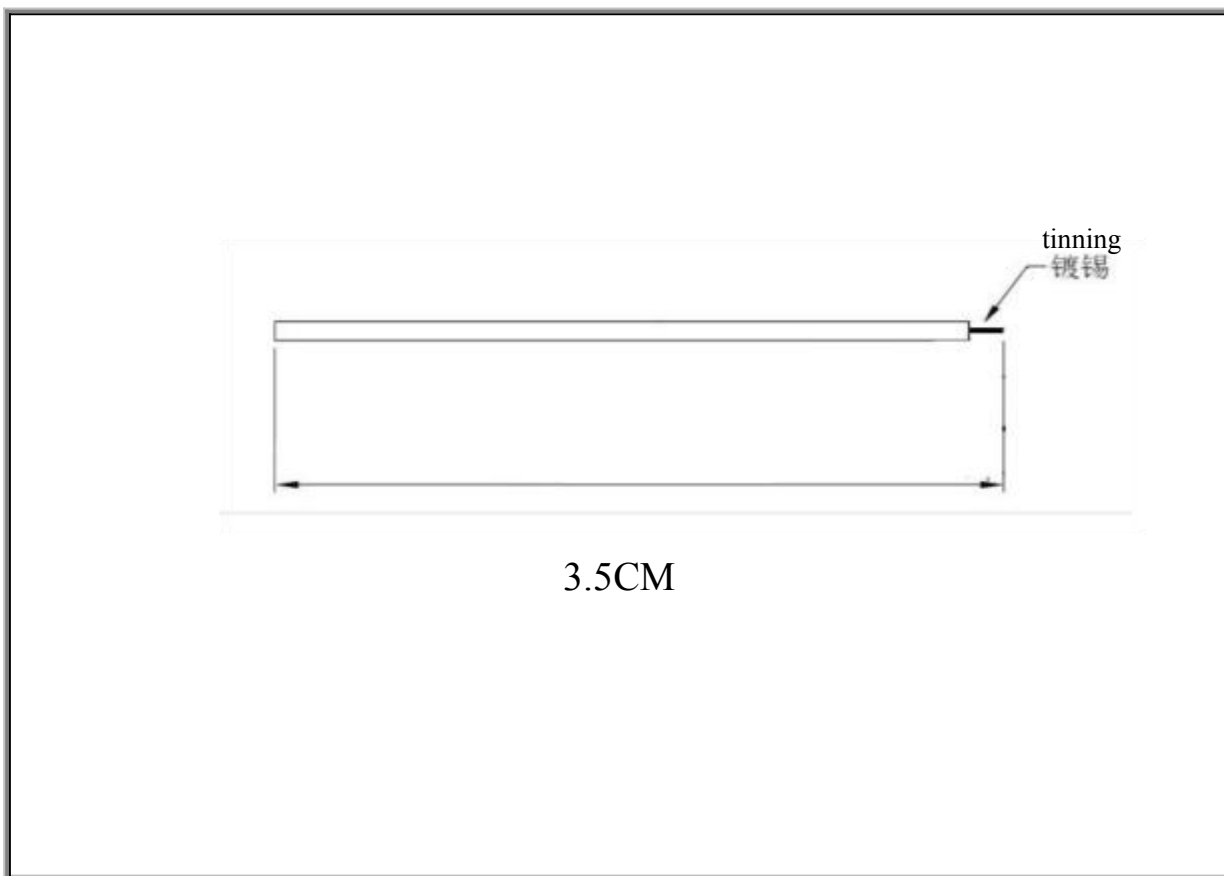
Product introduction

The antenna is specially designed and produced for 2.4G remote control toys. The antenna has the advantages of high cost performance, small structure and convenient production.

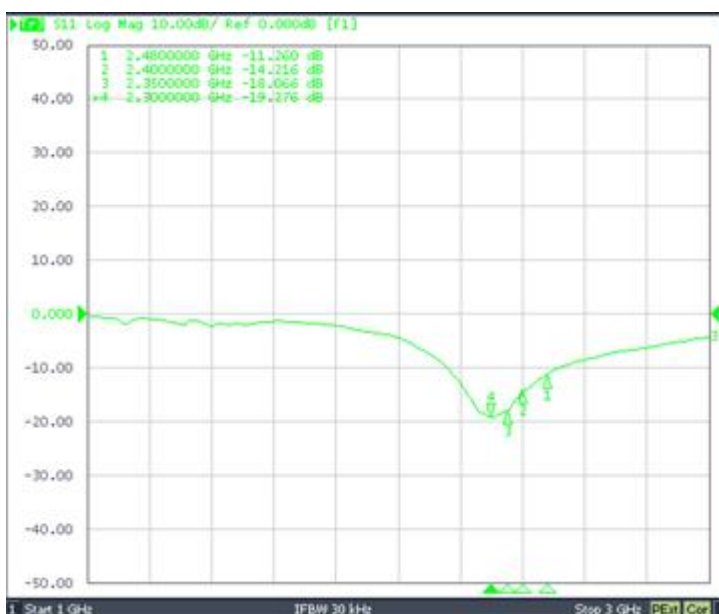
2、产品图片 (PRODUCT PICTURE)



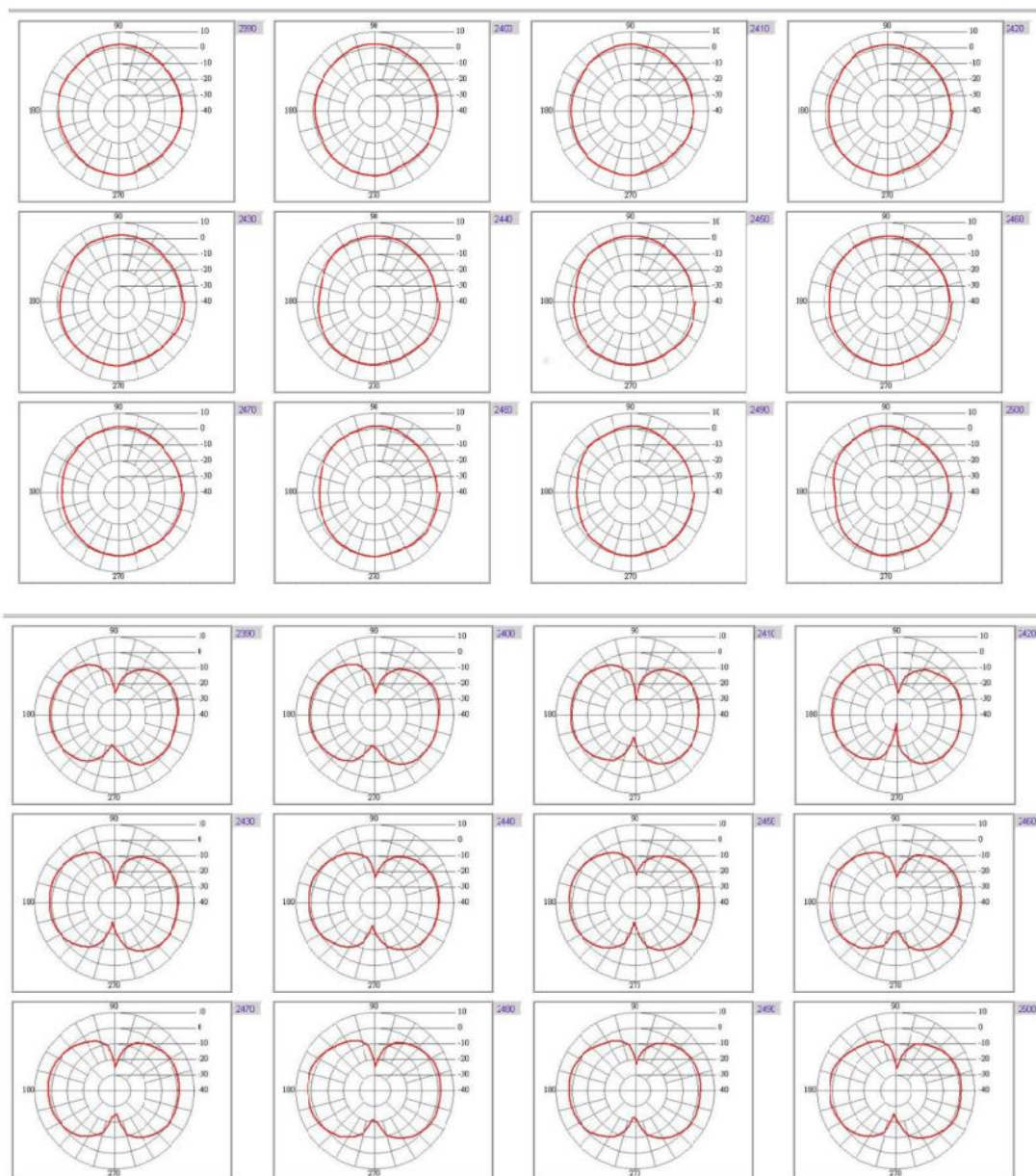
3、产品规格图(PRODUCT SPECIFICATION CHART)



4、驻波图 (STATIONARY WAVE PATTERN)



5、增益图（Gain pattern）



6. Manufacturer information

Manufacturer: YIFENG WIRE FACTORY

Adress: CHENGHAI DISTRICT,SHANTOU CITY,GUANGDONG
PROVINCE,CHINA