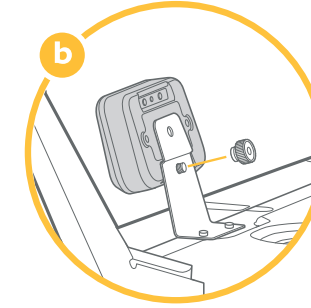
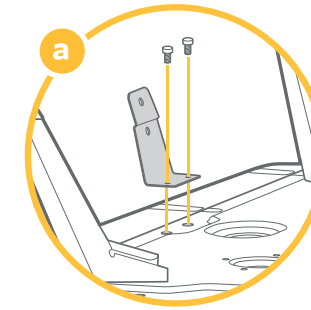
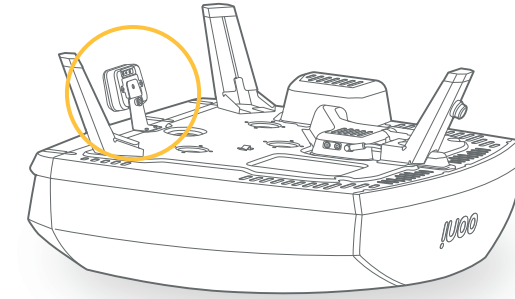




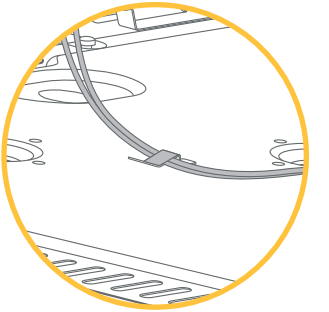
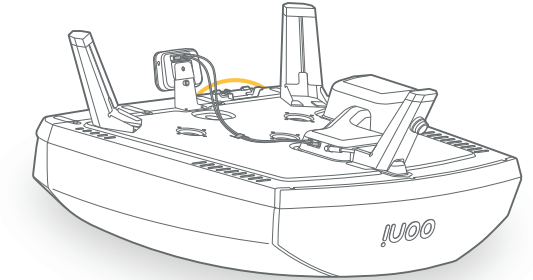
Digital Temperature Hub Manual



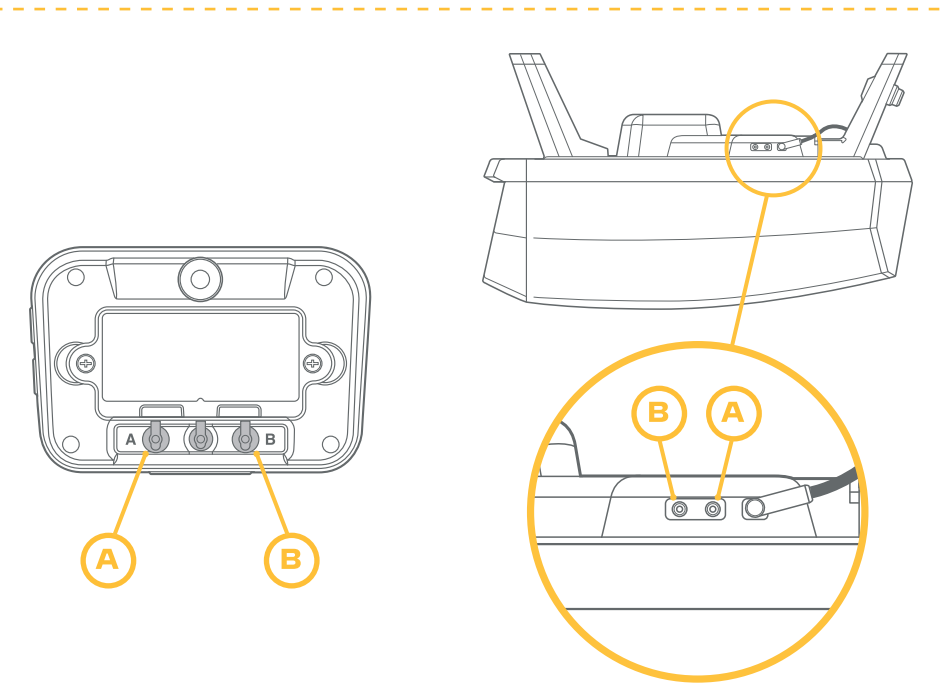
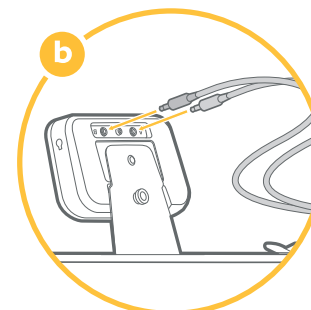
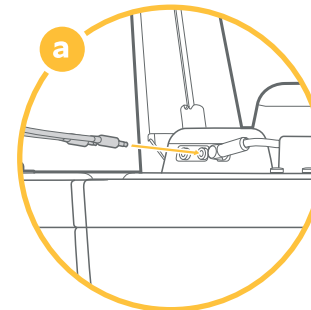
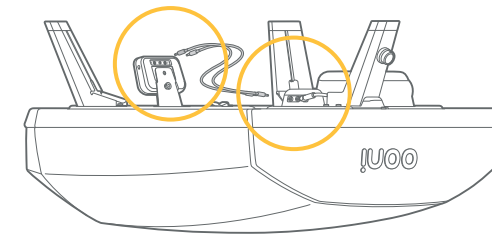
4.1

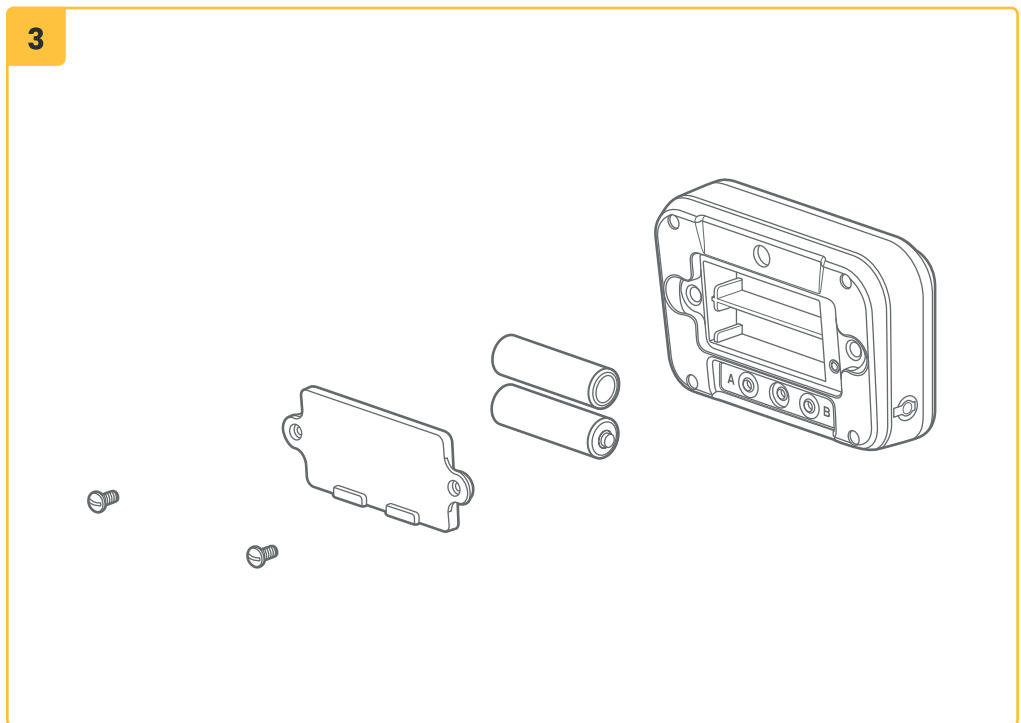
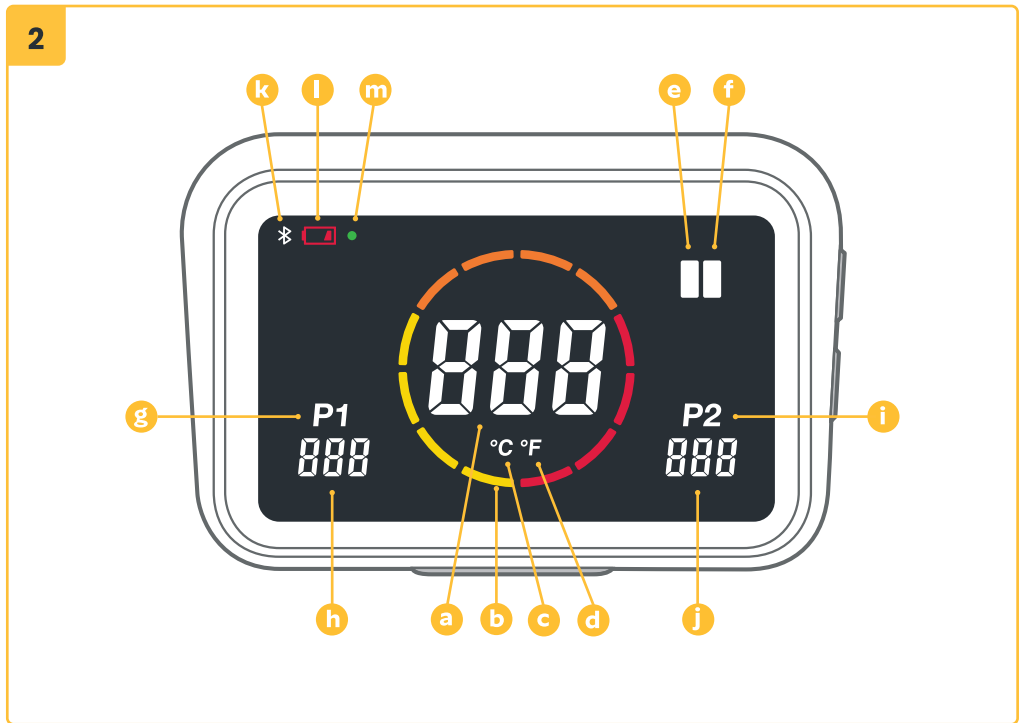
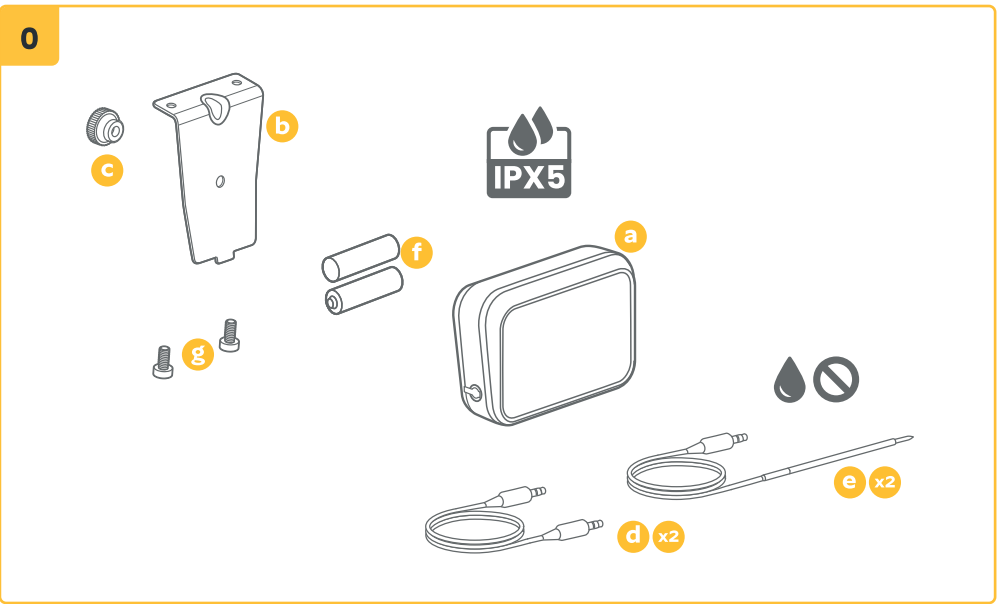


4.3



4.2





All references to "Ooni" in this manual include Ooni Limited and its relevant subsidiaries and holding companies as defined in section 1159 of the Companies Act 2006.

OONI DOES NOT ACCEPT ANY RESPONSIBILITY, LEGAL OR OTHERWISE, FOR THE INCIDENTAL OR CONSEQUENTIAL DAMAGE TO PROPERTY OR PERSONS RESULTING FROM THE USE OF YOUR OONI OVEN WHICH DOES/DID NOT COMPLY WITH ANY OF THE PROVISIONS OF THIS MANUAL.

OONI SHALL IN NO EVENT BE LIABLE FOR ANY SPECIAL, INDIRECT, CONSEQUENTIAL OR OTHER DAMAGES OF ANY NATURE WHATSOEVER IN EXCESS OF THE ORIGINAL PURCHASE PRICE OF YOUR OONI OVEN.

Some states or countries do not allow the exclusion or limitation of incidental or consequential damages, therefore such limitations or exclusions may not apply to you.

Product Name: Digital Temperature Hub.

Model: UU-C00182

Caution: The user is cautioned that changes or modifications not expressly approved by the party responsible for compliance could void the user's authority to operate the equipment.

This device contains licence-exempt transmitter(s)/receiver(s) that comply with Innovation, Science and Economic Development Canada's licence-exempt RSS(s) and Part 15 of the FCC Rules. Operation is subject to the following two conditions:

- (1) This device may not cause interference.
- (2) This device must accept any interference, including interference that may cause undesired operation of the device.

L'émetteur/récepteur exempt de licence contenu dans le présent appareil est conforme aux CNR d'Innovation, Sciences et Développement économique Canada applicables aux appareils radio exempts de licence. L'exploitation est autorisée aux deux conditions suivantes :

- (1) L'appareil ne doit pas produire de brouillage;
- (2) L'appareil doit accepter tout brouillage radioélectrique subi, même si le brouillage est susceptible d'en compromettre le fonctionnement.

NOTE: This equipment has been tested and found to comply with the limits for a Class B digital device, pursuant to Part 15 of the FCC Rules. These limits are designed to provide reasonable protection against harmful interference in a residential installation. This equipment generates, uses and can radiate radio frequency energy and, if not installed and used in accordance with the instructions, may cause harmful interference to radio communications. However, there is no guarantee that interference will not occur in a particular installation.

If this equipment does cause harmful interference to radio or television reception, which can be determined by turning the equipment off and on, the user is encouraged to try to correct the interference by one or more of the following measures:

- Reorient or relocate the receiving antenna.
- Increase the separation between the equipment and receiver.
- Connect the equipment into an outlet on a circuit different from that to which the receiver is connected.
- Consult the dealer or an experienced radio/TV technician for help.

FCC & IC Radiation Exposure Statement:

This equipment complies with FCC and Canada radiation exposure limits set forth for an uncontrolled environment. This equipment should be installed and operated with a minimum distance of 20cm between the radiator and your body.

This transmitter must not be co-located or operating in conjunction with any other antenna or transmitter.

Déclaration d'IC sur l'exposition aux radiations:

Cet équipement est conforme aux limites d'exposition aux radiations définies par le Canada pour des environnements non contrôlés. Cet équipement doit être installé et utilisé à une distance minimum de 20 cm entre l'antenne et votre corps.

Cet émetteur ne doit pas être installé au même endroit ni utilisé avec une autre antenne ou un autre émetteur.



Safety legal disclaimers	1
What's in the box	2
Set up and assembly	2
Troubleshooting	6

Assembly translations

DA	9	IL	129
DE	17	HR	137
ES	25	HU	145
FI	33	IS	153
FR CA	41	KR	161
FR	49	LT	169
IT	57	LVL	177
SE	65	PL	185
NO	73	PT	193
NL	81	RO	201
SA	89	SK	209
BG	97	SI	217
CZ	105	TR	225
GR	113	CN	233
EE	121		

⚠ WARNING

Read the instructions before using the Digital Temperature Hub and retain them for future reference.

Food probes and other accessible parts may be hot and sharp. Keep young children away.

Only use the Digital Temperature Hub as instructed by this manual.

To avoid damage, only mount the Digital Temperature Hub and route the cables in the locations instructed in this manual.

The food probes are suitable for use at temperatures of up to 842 °F (450 °C). Do not use at temperatures exceeding this or on open flames.

Do not modify the Digital Temperature Hub.

⚠ CAUTION

Hand wash and dry the food probes before first use.

The food probes are not dishwasher safe.

Do not use chemicals or abrasive detergents to clean the food probes.

Risk of explosion if the battery is replaced by an incorrect type.

The Digital Temperature Hub works with Ooni Food Probes; other accessories may be inaccurate, not work, or potentially cause damage.

Use the Digital Temperature Hub for accurate and immediate temperature measurements in Celsius (°C) or Fahrenheit (°F). Connect the food probes to get the perfect slow roast or seared steak, and connect to the Ooni app to monitor all of this without having to touch your oven.

0. What's in the box

- a. Digital Temperature Hub
- b. Mounting bracket
- c. Thumb nut
- d. Ambient temperature cable (x2)

- e. Food probe (x2)
- f. AA Batteries (x2)
- g. Bracket screws

1. Buttons and inputs:

- a. Power button
- b. Temperature cycle button
- c. Back-light button
- d. Food probe input 1
- e. Food probe input 2
- f. Ambient temperature input A
- g. Ambient temperature input B
- h. Factory reset button

2. Screen

- a. Main temperature display
- b. Temperature ring
- c. °C indicator
- d. °F indicator
- e. Left ambient Indicator
- f. Right ambient Indicator
- g. Food probe 1 Indicator
- h. Food probe 1 display
- i. Food probe 2 indicator
- j. Food probe 2 display
- k. Bluetooth status indicator
- l. Low battery indicator
- m. Eco mode indicator

3. Install batteries

Remove screws using a screwdriver and remove hatch. Insert 2 x AA batteries. Replace hatch and secure screws.

- i** If you are storing the oven for more than a month, remove the batteries.

4. Set up and assembly

4.1 | Attaching Digital Temperature Hub

- a. Using 2x bracket screws, attach the mounting bracket to the underside of the oven.
- b. Attach the Digital Temperature Hub to the bracket using the thumb nut.

4.2 | Attaching the ambient temperature cables

- a. Plug ambient temperature cable A into input A on the underside of the oven.
- b. Plug the opposite end in to the corresponding input on the back of the Digital Temperature Hub.
- c. Repeat for ambient temperature cable input B.

4.3 | Securing the thermocouple cables

Use the clip on the underside of the oven to keep the cables neat and prevent them from trailing.

5. Using the Digital Temperature Hub

5.1 | Download the Ooni app

Setting up your Digital Temperature Hub is simple, and the Ooni app will walk you through each step.

Scan this QR code to download or open the Ooni app. If you already have the Ooni app, be sure to update to the latest version.



Scan to download the Ooni app.

5.2 | Powering On/Off device

- a. Turn on the device with a short press of the power button.
- b. Turn off the device with a long press on the power button.
- i** Turn off your device when not in use to save battery. The device will automatically switch off after 45 minutes.

5.3 | Activating Bluetooth pairing

Open the Ooni app.

Press the temperature cycle button for 3 seconds until the Bluetooth status indicator starts flashing. Follow the instruction in the Ooni app to connect your device.




A successful connection will cause the Bluetooth status indicator to stop flashing and remain illuminated.

If the Bluetooth status indicator starts flashing quickly it means there is a problem with the connection. Try restarting the pairing process if the problem persists.

- i** If a connection is not made, the Bluetooth will turn off after a short period of time.

5.4 | Reading and cycling between ambient temperatures


Press the temperature cycle button to cycle between display options.

-  This represents the average ambient temperature of your oven. It is the recommended default setting.
-  The ambient temperature of the left side of the oven is displayed
-  The ambient temperature of the right side of the oven is displayed

5.5 | Read food probe

Check that the food probes are plugged into the correct inputs, and then the temperatures will appear on the display.

When using the food probes, ensure they are inserted into the thickest part of the meat, and make sure to avoid bones or fat.

-  The part of the food probe that goes into the meat should not be exposed to temperatures above 480 °F (250 °C)

WARNING

Before and after use, clean the food probes with hot, soapy water, taking care not to submerge the wire in the water, and dry immediately.

Take care when handling the Food Probes as they are sharp.

Always wear heat resistant gloves if handling the Food Probes when they are hot.

Do not use the food probes at temperatures exceeding 842 °F (450 °C).

5.6 | Change unit of measurement

Use a short, single press of the power button to cycle between Celsius (C) and Fahrenheit (F).

5.7 | Eco Mode

Use a long press of the back-light button to cycle between full brightness and Eco mode. When in Eco mode a short press of any button will fully illuminate the display for a short period of time.

5.8 | Low battery warning


When the batteries are running out, the low battery warning will come on indicating you should change batteries at next available opportunity.

WARNING

Always ensure the oven and temperature hub are fully cool before replacing the batteries.

5.9 | High (Hi) or Low (Lo) Temperature

The Digital Temperature Hub is designed to read cooking temperatures between -22 °F (-30 °C) and 999 °F (550 °C) and food probe temperatures between 0°C (32°F) and 100°C (212°F).

-  If the temperatures are outside this range the relevant display will show either Hi or Lo.

6. Care and maintenance

Digital Temperature Hub: Wipe down with a damp cloth and dry immediately.

Food probes: Before and after every use, clean with hot, soapy water, taking care not to submerge the wire in the water and dry immediately. Not dishwasher safe.

Store your Digital Temperature Hub inside and for extended periods without use; remove the battery to prolong battery life and prevent damage.

-  Never submerge the Digital Temperature Hub, food probes or wiring in water.

Troubleshooting

Issue	Possible Cause	Solution
Ambient temperature / food probe temperature is not showing on the display	<ol style="list-style-type: none"> 1. The connection could be dirty. 2. The ambient temperature cable is not plugged into the oven. 3. The probes / sensor may be connected to the wrong input. 4. The probe may be damaged. 	<ol style="list-style-type: none"> 1. Remove the probe / sensor from the Digital Temperature Hub and from the oven. Gently clean with a damp cloth. Allow to fully dry and re-insert into the device. 2. Check the ambient temperature cable is plugged into the correct port on the oven. Try removing and re-installing even if it is. 3. Check you have the correct ambient sensor and food probe plugged into the correct input. 4. Try plugging the probe into the other input, if it works there may be a problem with the device, if it doesn't there may be a problem with probe. Contact Ooni support.
Ambient temperature sensor readings aren't accurate.	<ol style="list-style-type: none"> 1. The probes may be connected to the wrong input. 2. The average or opposite ambient temperature is being displayed. 3. The sensor in the oven could be dirty. 4. The calibration settings of the device have been changed. 	<ol style="list-style-type: none"> 1. Check you have the correct ambient sensor plugged into the correct input. 2. Cycle through the individual temperature readings to ensure the desired reading is being displayed. 3. Ensuring the oven is completely cold, carefully reach inside and gently clean the temperature sensor with a damp cloth. 4. Use the factory reset button to return the device to its original calibration.
Display is faint or won't turn on at all.	<ol style="list-style-type: none"> 1. The battery is nearly or is already flat. 2. The Digital Temperature Hub is in Eco mode. 	<ol style="list-style-type: none"> 1. Ensuring the oven is completely cold follow the steps outlined in this manual to replace the batteries. 2. A long press of the back-light button will return the product to full brightness.
Ambient temperature reading is high but my food isn't cooking properly.	Stone may not be warm enough. The stone will take longer to preheat than the oven's ambient temperature.	Give your stone more time to preheat. Use an Ooni Digital Infrared Thermometer to get an accurate reading of stone temperature.
My Digital Temperature Hub will not connect to my device.	<ol style="list-style-type: none"> 1. Your device was not one of the most recent connections. 2. Too far away for the device. 3. Unknown reason. 	<ol style="list-style-type: none"> 1. Follow the Bluetooth pairing steps to reconnect your device. 2. Ensure you are within 10m (33ft) of the device with a clear line of sight. 3. Try using the factory reset button to remove all existing Bluetooth connections then follow the steps to start again.
I have a problem that isn't listed here.	I've discovered a new problem!	Contact support.ooni.com



This marking indicates that this product should not be disposed of with other household wastes throughout the EU and UK. To prevent possible harm to the environment or human health from uncontrolled waste disposal, recycle it responsibly to promote the sustainable reuse of material sources. To return your used device, please use the return and collection systems or contact the retailer where this product was purchased. They can take this product for environmentally safe recycling.

You must have a live internet connection in order for the Ooni app to work.

We recommend you update to the latest version of iOS and Android to operate the Ooni app.

Your mobile device must have Bluetooth wireless technology 4.0 support (Bluetooth® wireless technology Low Energy) in order to set up a connection with the appliance. Check your device specification for compatibility.

– BLE 2.4GHz

– 2.4GHz, 2.5mW

The Bluetooth® word mark and logos are registered trademarks owned by Bluetooth SIG, Inc. and any use of such marks by Ooni Limited is under license. Other trademarks and trade names are those of their respective owners.

