



CVE Powered Speaker Series

Quick Start Guide

Guide de démarrage rapide

Guía de inicio rápido

Kurzanleitung



Congratulations - Welcome to the Cerwin-Vega Family! You've joined a growing group of audio professionals who have turned to Cerwin-Vega for the most advanced audio reproduction systems available. All Cerwin-Vega products are thoroughly tested to ensure that they meet or exceed our performance specifications. Backed by the best service in the industry, Cerwin-Vega is dedicated to quality and reliability.

Before You Begin

The Cerwin-Vega CVE powered speaker series, which consists of our tower speakers CVE-10, CVE-12, CVE-15 and also our CVE-18S high powered subwoofer is covered in this guide.

The CVEs are designed for both mobile and some fixed applications where the speakers will be appropriately installed on a tripod stand, pole, flown using the CVE wall bracket, or stacked on a sturdy platform such as a floor or stage.

Cerwin-Vega does not support suspension of the subwoofer model CVE-18S covered by this guide nor are these models intended for outdoor or high-moisture fixed installations. Moisture can damage the speaker cone or surround and cause corrosion of electrical contacts so avoid exposing the speakers to direct moisture.

Cerwin-Vega speakers are capable of producing a lot of acoustical energy. The speaker might be prone to movement if placed on a slick surface like polished wood or linoleum because of its own vibrations. To ensure that the speaker doesn't fall off a stage or table that it is put on, safety precautions should always be implemented to prevent this from happening.

Our CVE speakers include a pole cup to allow mounting of a satellite speaker on top of the subwoofer using a standard speaker pole shaft. When using a standard speaker pole shaft, be sure to observe the following precautions:

- Check the speaker pole shaft specs to be certain it can support the weight of the speakers.
- Observe all safety precautions specified by the speaker pole shaft manufacturer.
- Always verify that the subwoofer is placed on a flat, level, and stable surface.
- Route cables so that foot traffic will not trip over them, toppling the speaker.
- Always be cautious in windy conditions as the stability of the entire system may be compromised.

Cerwin-Vega speakers are easily capable of generating sound pressure levels (SPL) of sufficient magnitude to cause permanent hearing damage to performers, production crew and audience members. Caution should be taken to avoid prolonged exposure to SPL more than 90 dB(A).

DECLARATION OF CONFORMITY

FCC Statement :



FCC ID: 2BCMC-GC253367

IC: 28474-AAAPL01

This equipment has been tested and found to comply with the limits for a Class B digital device, pursuant to part 15 of the FCC Rules. These limits are designed to provide reasonable protection against harmful interference in a residential installation. This equipment generates uses and can radiate radio frequency energy and, if not installed and used in accordance with the instructions, may cause harmful interference to radio communications. However, there is no guarantee that interference will not occur in a particular installation. If this equipment does cause harmful interference to radio or television reception, which can be determined by turning the equipment off and on, the user is encouraged to try to correct the interference by one or more of the following measures:

- Reorient or relocate the receiving antenna.
- Increase the separation between the equipment and receiver.
- Connect the equipment into an outlet on a circuit different from that to which the receiver is connected.
- Consult the dealer or an experienced radio/TV technician for help.

Any changes or modifications not expressly approved by the party responsible for compliance could void the user's authority to operate the equipment.

ISED Statement :

This device contains license-exempt transmitter(s)/receiver(s) that comply with Innovation, Science and Economic Development Canada's license-exempt RSS(s). Operation is subject to the following two conditions:

- (1) This device may not cause interference.
- (2) This device must accept any interference, including interference that may cause undesired operation of the device.

L'émetteur/récepteur exempt de licence contenu dans le présent appareil est conforme aux CNR d'Innovation, Sciences et Développement économique Canada applicables aux appareils radio exempts de licence. L'exploitation est autorisée aux deux conditions suivantes :

- 1) L'appareil ne doit pas produire de brouillage;
- 2) L'appareil doit accepter tout brouillage radioélectrique subi, même si le brouillage est susceptible d'en compromettre le fonctionnement.

This transmitter must not be co-located or operating in conjunction with any other antenna or transmitter. This equipment should be installed and operated with a minimum distance of 20 centimeters between the radiator and your body.

Cet émetteur ne doit pas être Co-placé ou ne fonctionnant en même temps qu'aucune autre antenne ou émetteur. Cet équipement devrait être installé et actionné avec une distance minimum de 20 centimètres entre le radiateur et votre corps.



Warning: The apparatus with CLASS I construction shall be connected to a MAINS socket outlet with a protective earthing connection.

In Denmark: "Apparatets stikprop skal tilsluttes en stikkontakt med jord, som giver forbindelse til stikproppens jord."

In Finland: "Laite on liitettävä suojakoskettimilla varustettuun pistorasiaan"

In Norway: "Apparatet må tilkoples jordet stikkontakt"

In Sweden: "Apparaten skall anslutas till jordat uttag"

Class I pluggable equipment type A intended for connection to other equipment or a network shall, if safety relies on connection to reliable earthing or if surge suppressors are connected between the network terminals and accessible parts, have a marking stating that the equipment shall be connected to an earthed mains socket-outlet.

IMPORTANT SAFETY INFORMATION

SAFETY INSTRUCTIONS

1. **Read instructions** - All the safety and operating instructions should be read before the product is operated.
2. **Retain instructions** - The safety and operating instructions should be retained for future reference.
3. **Heed Warnings** - All warnings on the product and in the operating instructions should be adhered to.
4. **Follow Instructions** - All operating and use instructions should be followed.
5. **Cleaning** - Unplug this product from the wall outlet before cleaning. Do not use liquid cleaners or aerosol cleaners. Use a damp cloth for cleaning.
6. **Attachments** - Do not use attachments not recommended by the product manufacturer as they may cause hazards.
7. **Water and Moisture** - Do not use this product near water-for example, near a bath tub, wash bowl, kitchen sink, or laundry tub; in a wet basement; or near a swimming pool; and the like.
8. **Accessories** - Do not place this product on an unstable cart, stand, tripod, bracket, or table. The product may fall, causing serious injury to a child or adult and serious damage to the product. Use only with a cart, stand, tripod, bracket, or table recommended by the manufacturer, or sold with the product. Any mounting of the product should follow the manufacturer's instructions, and should use a mounting accessory recommended by the manufacturer.
9. **Cart** - A product and cart combination should be moved with care. Quick stops, excessive force, and uneven surfaces may cause the product and cart combination to overturn.
10. **Ventilation** - Slots and openings in the cabinet are provided for ventilation to ensure reliable operation of the product and to protect it from overheating. These openings must not be blocked or covered. The openings should never be blocked by placing the product on a bed, sofa, rug, or another similar surface. This product should not be placed in a built-in installation such as a bookcase or rack unless proper ventilation is provided or the manufacturer's instructions have been adhered to.
11. **Power Sources** - This product should be operated only from the type of power source indicated on the marking label and connected to a MAINS socket outlet with a protective earthing connection. If you are not sure of the type of power supply to your home, consult your product dealer or local power company.
12. **Power-Cord Protection** - Power-supply cords should be routed so that they are not likely to be walked on or pinched by items placed upon or against them, paying attention to cords at plugs, convenience receptacles, and the point where they exit from the product.
13. **Mains Plug** - Where the mains plug or an appliance coupler is used as the disconnect device, the disconnect device shall remain readily operable.
14. **Lightning** - For added protection for this product during a lightning storm, or when it is left unattended and unused for long periods of time, unplug it from the wall outlet and disconnect the antenna or cable system. This will prevent damage to the product due to lightning and power-line surges.
15. **Overloading** - Do not overload wall outlets, extension cords, or integral convenience receptacles as this can result in a risk of fire or electric shock.
16. **Flame Sources** - No naked flame sources, such as lighted candles, should be placed on the product.
17. **Object and Liquid Entry** - Never push objects of any kind into this product through openings as they may touch dangerous voltage points or short-out parts that could result in a fire or electric shock. Never spill liquid of any kind on the product.
18. **Loudspeakers** - Excessive sound pressure from loudspeakers can cause hearing loss.
19. **Damage Requiring Service** - Unplug this product from the wall outlet and refer servicing to qualified service personnel under the following conditions:
 - a. When the power-supply cord or plug is damaged.
 - b. If liquid has been spilled, or objects have fallen into the product.
 - c. If the product has been exposed to rain or water.
 - d. If the product has been dropped or damaged in any way.
 - e. When the product exhibits a distinct change in performance- this indicates a need for service.
 - f. If the product does not operate normally by following the operating instructions. Adjust only those controls that are covered by the operating instructions as an improper adjustment of other controls may result in damage and will often require extensive work by a qualified technician to restore the product to its normal operation.
20. **Replacement Parts** - When replacement parts are required, be sure the service technician has used replacement parts specified by the manufacturer or have the same characteristics as the original part. Unauthorized substitutions may result in fire, electric shock, or other hazards.
21. **Safety Check** - Upon completion of any service or repairs to this product, ask the service technician to perform safety checks to determine that the product is in proper operating condition. The use of apparatus in tropical and/or moderate climates.

WARNING

The lightning flash with arrowhead symbol, within an equilateral triangle, is intended to alert the user to the presence of "uninsulated dangerous voltage" within the product's enclosure that may be of sufficient magnitude to constitute a risk of electric shock to persons. The exclamation point within an equilateral triangle is intended to alert the user to the presence of important operating and maintenance (servicing) instructions in the literature accompanying the appliance.



THE EQUIPMENT MUST BE CONNECTED TO AN EARTHED MAINS SOCKET-OUTLET.

CAUTION REGARDING PLACEMENT

To maintain proper ventilation, be sure to leave a space around the unit (from the largest outer dimensions including projections) than is equal to, or greater than shown below.

Top, Bottom, Front, Rear, Left, Right Sides: 10 cm

CAUTION - Changes or modifications to this equipment not expressly approved by Cerwin-Vega for compliance could void the user's authority to operate this equipment.

CAUTION - To prevent electric shock, match wide blade of plug to wide slot, fully insert.

CAUTION - Marking and rating plate can be found at the rear panel of the apparatus.

WARNING - To reduce the risk of fire or electric shock, do not expose this apparatus to rain or moisture.

The apparatus shall not be exposed to dripping or splashing and that no objects filled with liquids, such as vases, shall be placed on apparatus.

Mains plug is used as disconnect device and it should remain readily operable during intended use. To disconnect the apparatus from the mains completely, the mains plug should be disconnected from the mains socket outlet completely.

CAUTION - An appliance with a protective earth terminal should be connected to a mains outlet with a protective earth connection.

IF IN DOUBT CONSULT A COMPETENT ELECTRICIAN. NOTES ON ENVIRONMENTAL PROTECTION

At the end of its useful life, this product must not be disposed of with regular household waste but must be returned to a collection point for the recycling of electrical and electronic equipment. The symbol on the product, user's manual and packaging point this out.

The materials can be reused in accordance with their markings. Through re-use, recycling of raw materials, or other forms of recycling of old products, you are making an important contribution to the protection of our environment.

Your local administrative office can advise you of the responsible waste disposal point.



Note: CVE letter of CE conformity available via email: ra2@dat-cvm.com

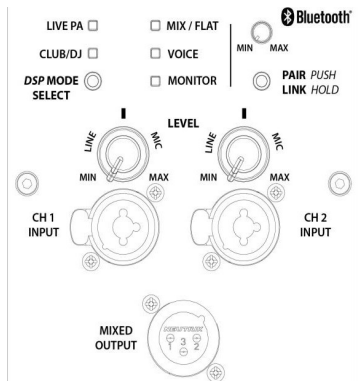
Quick Set-Up

The steps below provide a quick reference on how to setup and use a single loudspeaker. A typical setup will follow the same basic steps.

STEP 1	<ul style="list-style-type: none">✓ Make sure the loudspeaker is unplugged.✓ Be sure the power switch is set to the OFF position.✓ Turn the LEVEL knob to the lowest level (fully counter-clockwise).
STEP 2	<ul style="list-style-type: none">✓ Place the loudspeaker in the ideal location.✓ Connect the source audio equipment OUTPUT to the loudspeaker INPUT. Be sure the source equipment is powered on and set to a normal output level.
STEP 3	<ul style="list-style-type: none">✓ Connect the power cord to the loudspeaker AC power outlet.✓ Set the POWER switch to the ON position and verify that the DSP MODE LED indicator is illuminated.✓ Slowly turn the LEVEL knob clockwise until the sound output is at the desired level. If there is no sound, check to make sure the source equipment is providing audio output.
NOTE	When you are done using the loudspeaker, set the POWER switch to OFF <u>BEFORE</u> removing any cables and turning off the source audio equipment.

Loudspeaker placement

- Never point a microphone directly at a loudspeaker, as this will result in extreme feedback (unwanted sound). Be sure the loudspeaker is placed away from the front of the microphone or directly behind the microphone when in a floor monitor position.
- When used with turntables, carefully place the loudspeaker so that any vibrations do not interfere with the turntable performance and functionality.
- Avoid placing the loudspeaker in the corners or along the walls of a room. This will increase the low-frequency content of the audio and may result in a muddy and incoherent sound reproduction.
- Avoid placing the speakers directly on a hollow stage. It is better to place the loudspeakers on tripod stands or a sturdy table.
- The loudspeaker should be placed two to four feet above the ear level of the audience since the human body can absorb sound especially at high frequencies. This will make sure the entire audience can hear the sound system with the best possible clarity.



CVE-10/12/15 Rear Panel

(A) DSP MODE SELECT

This mode selection button allows you to toggle between our 5 EQ presets. Listen to each of these and determine what is best for you.

LIVE PA - Best used for live music sound reinforcement, it balances and softens frequencies that can dominate and feedback in a live mix.

CLUB/DJ - This mode adds definition to the high and low frequencies, it is primarily used for playback of EDM/Pop/Hip Hop/etc. music.

MIX / FLAT - A well balanced overall speaker response with deeper low-end extension. This

mode is a great starting point for mixing live events.

VOICE - This mode enhances vocal clarity and is best used when using a common dynamic microphone connected directly into one of the CH inputs.

MONITOR - Use this mode when using the system as a stage monitor with a microphone, it will balance and soften frequencies that are prone to feedback in a monitor mix.

(B) BLUETOOTH

We have included True Wireless Stereo (TWS) Bluetooth connectivity in the CVE. To PAIR with one unit push the pair button once. The Blue light will begin flashing and your unit will pop up in your Bluetooth devices list. To LINK 2 devices together in stereo you push and hold the first unit until it begins flashing orange. Then push and hold the other unit's button until it flashes orange. After 10 seconds the units will LINK together into a Stereo pair. Once paired you can toggle between Stereo & MONO by double tapping the pairing button while audio is playing.

Note: you cannot PAIR, UN-PAIR, or LINK units while audio is playing. See Manual & Application Guide for more details.

(C) INPUT 1 & INPUT 2

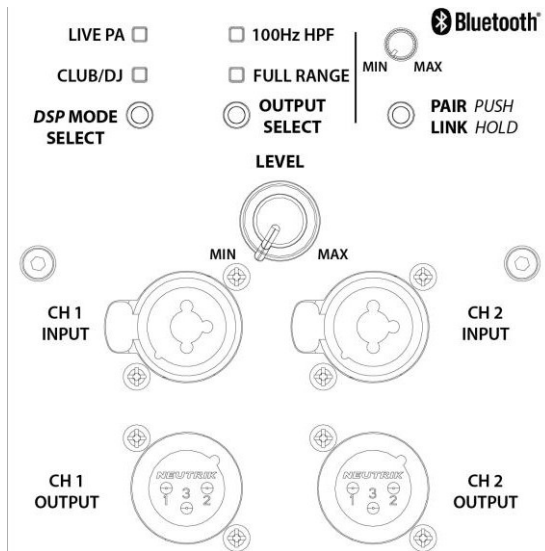
These are Balanced Combo Inputs allowing for balanced XLR/TRS cables to be inserted as LINE & MIC levels.

(D) LEVEL KNOBS

Channel 1 & 2 LEVEL knobs adjust the gain level on the respective input signal. The LEVEL is designed to be used for a LINE level input as well as a MIC level input. Full counter-clockwise position (MIN) to straight up (into the detent) is adjustment for LINE levels. Whereas from straight up to full clockwise (MAX) position adjusts for MIC levels. The Bluetooth level knob is provided so that you can adjust the level of the Bluetooth signals to match your other inputs as needed.

(E) MIX OUTPUT

This connection is designed to provide an output which combines all channels including Bluetooth together for connecting to another powered speaker or a recording device. This output is affected by changes to each channels LEVEL knob.



CVE-18s Rear Panel

(A) DSP MODE SELECT

This mode selection button allows you to toggle between our 2 EQ presets. Listen to each of these and determine what is best for you.

LIVE PA - Best used for live music sound reinforcement, it has a more balanced deeper low-end response.

CLUB/DJ - This mode adds definition and punch to sub frequencies, it is primarily used for playback of EDM/Pop/Hip Hop/etc. music.

(B) OUTPUT MODE SELECT

This mode selection button

allows you to toggle between a 100 Hz High Pass Filter on the outputs; providing a crossover to top boxes or leave the output jack's full range.

(C) BLUETOOTH

We have included True Wireless Stereo (TWS) Bluetooth connectivity in the CVE. To PAIR with one unit push the pair button once. The Blue light will begin flashing and your unit will pop up in your Bluetooth devices list. To LINK 2 devices together in stereo you push and hold the first unit until it begins flashing orange. Then push and hold the other unit's button until it flashes orange. After 10 seconds the units will LINK together into a Stereo pair. Once paired you can toggle between STEREO & MONO by double tapping the pairing button while audio is playing.

Note: you cannot PAIR, UN-PAIR, or LINK units while audio is playing.

(D) INPUT 1 & INPUT 2

These are Balanced Combo Inputs allowing for balanced XLR/TRS LINE levels.

(E) LEVEL KNOB

The LEVEL adjusts the output level of the subwoofers for all channels equally. The Bluetooth level knob is provided so that you can adjust the level of the Bluetooth signals to match your other inputs as needed.

(F) OUTPUTS 1 & 2

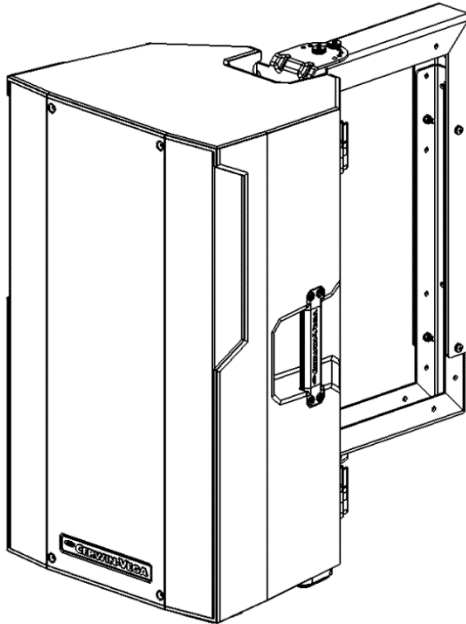
This connection is designed to provide an output which combines each input channel with the incoming Bluetooth signal respectively, for connecting to another powered speaker or a recording device. This output is not affected by changes to the LEVEL knob.

Optional WALL/CEILING MOUNT

(wall/ceiling kit is sold separately)

CVE SERIES are designed to be:

1. Floor standing.
2. When a subwoofer and the tower are used together, these can be mounted vertically on top of each other via the built in pole mount socket in both speakers that accepts a standard speaker pole that is sold separately.
3. Cabinets are engineered to accept our Wall/Ceiling mount kit that is sold separately.



SPECS



	CVE-10*	CVE-12*	CVE-15"	CVE-18s"
Power Rating	1000	1000	1000	1000
Amplifier Class	D	D	D	D
Frequency Response (+/- 3dB)	65Hz - 18kHz	55Hz - 18kHz	47Hz - 18kHz	35Hz - 225Hz
Frequency Range (+/- 10dB)	60Hz - 20kHz	50Hz - 20kHz	42Hz - 20kHz	30Hz - 250Hz
Max SPL	124	126	128	126
HF Driver	1"	1"	1"	N/A
LF Driver	10"	12"	15"	18"
Dispersion	90° x 60°	90° x 60°	90° x 60°	N/A
Input/Output	(2) Combo XLR/TRS Inputs (1) Combo XLR OUTPUT	(2) Combo XLR/TRS Inputs (1) Combo XLR OUTPUT	(2) Combo XLR/TRS Inputs (1) Combo XLR OUTPUT	(2) Combo XLR/TRS Inputs (2) Combo XLR OUTPUT
Switches	EQ Mode Select (5 modes) Bluetooth Pair/Link	EQ Mode Select (5 modes) Bluetooth Pair/Link	EQ Mode Select (5 modes) Bluetooth Pair/Link	EQ Mode Select (2 modes) Bluetooth Pair/Link Output Mode Select
Enclosure	Polymer	Polymer	Polymer	Plywood
Finish	Standard	Standard	Standard	Paint
Dimensions (h x w x d)	558mm x 328mm x 288mm	619mm x 358mm x 320mm	694mm x 425mm x 380mm	620mm x 533mm x 648mm
Weight (Lbs.)	33	35	39	60
Weight (Kg)	15	15.9	17.7	27.2

Note: the CVEs were tested at the highest working environment temperature and altitude (45°/2000m).

Bluetooth version: 5.3

- Bluetooth transmitter frequency range: 2402 MHz - 2480 MHz
- Bluetooth transmitter power: <11 dBm (EIRP)

*Specifications & appearance subject to Change

USA WARRANTY INFORMATION

Cerwin-Vega, Inc offers a 1-year warranty on the CVE models under the following conditions.

The warranty is valid for the original retail purchaser only and is not transferable. To be eligible for warranty coverage, the product must be registered within 15 days from the date shown on the sales receipt.

To obtain warranty repair work:

1. Contact Cerwin-Vega customer service and provide them with the product's serial number and proof of purchase.
2. If the product is determined to be covered under warranty by Cerwin-Vega, Inc then Cerwin-Vega will issue an authorized RMA number.
3. Customer must ship the product to the authorized Cerwin-Vega service center at the address provided by customer service representative.
4. The customer is responsible for all shipping costs unless stated otherwise.
5. Cerwin-Vega will repair or replace the product at its sole discretion.
6. If the product is repaired, it will be shipped back to the customer free of charge.
7. If the product is replaced, the customer will be responsible for shipping the old product back to Cerwin-Vega before the replacement product will be sent to the customer.

Please note that any non-authorized returns sent to Cerwin-Vega, Inc will be refused. This means that you must contact Cerwin-Vega customer service first to seek any potential warranty work and get an authorized RMA number before you attempt to ship the product to the address provided by the Cerwin-Vega, Inc customer service representative. Shipping the product is the customers responsibility.

Here are some additional things to keep in mind when filing a warranty claim:

- You must have registered your product within 15 days from the sales receipt date.
- The warranty period is one year from the date of purchase once registered
- The warranty does not cover damage caused by abuse, accident, misuse, or neglect, unauthorized modifications or repairs made outside the authorized customer service repair centers.
- You must provide proof of purchase (copy of original sales receipt) to make a warranty claim.

INTERNATIONAL WARRANTY INFORMATION:

Cerwin-Vega does not offer a warranty of any kind for products sold outside the USA.

Please contact your dealer from whom you purchased the product for all warranty claims and service or other inquires.

Cerwin-Vega, Inc

USA Customer Service:
Contact: 1-213-261-4161
Email: ra2@dat-cvm.com

CVE Alimenté Conférencier Série

Guide de démarrage
rapide de démarrage rapide
Guide de début rapide
Manuel d'utilisation



Félicitations - Bienvenue dans la famille Cerwin-Vega ! Vous avez rejoint un groupe croissant d'audio professionnels qui se sont tournés vers Cerwin-Vega pour les systèmes de reproduction audio les plus avancés disponibles. Tous les produits Cerwin-Vega sont minutieusement testés pour garantir qu'ils respectent ou dépassent nos performances spécifiées. Soutenu par le meilleur service de l'industrie, Cerwin-Vega est dédié à la qualité et à la fiabilité.

Avant Toi Commencer

La série d'enceintes amplifiées Cerwin-Vega CVE, qui comprend nos enceintes colonnes CVE-10, CVE-12, CVE-15 ainsi que notre caisson de basses haute puissance CVE-18S, est couverte dans ce guide.

Les CVE sont conçus pour les applications mobiles et certaines applications fixes où les enceintes seront installées de manière appropriée sur un trépied, un poteau, suspendues à l'aide du support mural CVE ou empilées sur une plate-forme solide telle qu'un sol ou une scène.

Cerwin-Vega ne prend pas en charge la suspension du modèle de caisson de basses CVE-18S couvert par ce guide et ces modèles sont destinés aux installations fixes extérieures ou à forte humidité. L'humidité peut endommager le conférencier cône ou entourer et provoquer de la corrosion d'électricité. Évitez donc d'exposer les haut-parleurs pour diriger l'humidité.

Les enceintes Cerwin-Vega sont capables de produire beaucoup d'énergie acoustique. L'enceinte peut être sujette à bouger si elle est placée sur une surface lisse comme du bois poli ou du linoléum en raison de ses propres vibrations. Pour garantir que l'orateur ne tombe pas de la scène ou de la table sur laquelle il est posé, des précautions de sécurité doivent toujours être mises en œuvre pour éviter que cela ne se produise.

Nos intervenants CVE incluent un pôle tasse à permettre le montage d'un satellite conférencier sur haut de la caisson de basses à l'aide d'un axe de poteau de haut-parleur standard. Lorsque vous utilisez un axe de poteau d'enceinte standard, assurez-vous de respecter les précautions suivantes :

- Vérifier les spécifications du pôle arbre à être certain qu'il peut soutenir le poids des haut-parleurs.
- Observer toutes les précautions spécifiées par le fabricant du pôle arbre.
- Toujours vérifier que le caisson de basses est mis sur un plat, niveau, et sécurisé.
- Éviter les câbles donc que le trafic ne passe pas sur eux, renverser le conférencier.
- Toujours être prudent dans les conditions de vente comme la stabilité de l'ensemble du système peut être compromise.

Les haut-parleurs Cerwin-Vega sont facilement capables de générer des niveaux de pression sonore (SPL) d'ampleur suffisante pour causer un dommage permanent à l'audience, aux artistes, au personnel et aux membres du public. La prudence doit être prise pour éviter une exposition prolongée à un SPL supérieur à 90 dB(A).

DÉCLARATION DE CONFORMITÉ

Déclaration FCC :



ID FCC : 2BCMC-GC253367

CI : 28474-AAAPL01

Cet équipement a été testé et déclaré conforme aux limites d'un appareil numérique de classe B, conformément à la partie 15 des règles FCC. Ces limites sont conçues pour fournir une protection raisonnable contre les interférences nuisibles dans une installation résidentielle. Cet équipement génère des utilisations et peut émettre de l'énergie radiofréquence et, s'il n'est pas installé et utilisé conformément aux instructions, peut provoquer des interférences nuisibles aux communications radio. Cependant, rien ne garantit que des interférences ne se produiront pas dans une installation particulière. Si cet équipement provoque des interférences nuisibles à la réception radio ou télévision, ce qui peut être déterminé en éteignant et rallumant l'équipement, l'utilisateur est encouragé à essayer de corriger les interférences en prenant une ou plusieurs des mesures suivantes :

- Réorientez ou déplacez l'antenne de réception.
- Augmenter la séparation entre l'équipement et le récepteur.
- Connectez l'équipement à une prise sur un circuit différent de celui auquel le récepteur est connecté.
- Consultez le revendeur ou un technicien radio/TV expérimenté pour obtenir de l'aide.

Tout changement ou modification non expressément approuvé par la partie responsable de la conformité pourrait annuler le droit de l'utilisateur à utiliser l'équipement.

ISED Déclaration :

Cet appareil contient des émetteurs/récepteurs sans licence qui sont conformes aux RSS sans licence d'Innovation, Sciences et Développement économique Canada. L'exploitation est soumise aux deux conditions suivantes :

- (1) Cet appareil ne doit pas provoquer d'interférences.
- (2) Cet appareil doit accepter toute interférence, y compris les interférences susceptibles de provoquer un fonctionnement indésirable de l'appareil.

L'émetteur / récepteur exempté de licence contenu dans le présent appareil HNE conforme aux CNR d'Innovation, Sciences et Développement économique Canada applicables aux appareils radio exemptés de licence. L'exploitation HNE autorisée aux deux conditions suivantes :

- 1) L'appareil ne doit pas produire de brouillage ;
- 2) L'appareil doit accepter tout brouillage radioélectrique subi, même si le brouillage est susceptible d'en nuire au fonctionnement.

Cet émetteur ne doit pas être colocalisé ou fonctionner en conjonction avec une autre antenne ou émetteur. Cet équipement doit être installé et utilisé avec une distance minimale de 20 centimètres entre le radiateur et votre corps.

Cet émetteur ne doit pas être Co-placé ou ne fonctionne pas fr même temps qu'aucun autre antenne ou émetteur. Cet équipements devrait être installé et actionné avec une distance minimale de 20 centimètres entre le radiateur et votre corps.



Attention : L'appareil de construction de CLASSE I doit être connecté à une prise de courant SECTEUR avec une connexion de mise à la terre de protection.

Au Danemark : « Appareils stikprop scalare tilsluttes fr stikkontakt med jord , som giver forbindelse jusqu'à stikkroppens Jordanie .

En Finlande : « Laite on liitettävä suojakoskettimilla varustettuun Pistorasiaan "

En Norvège : « Apparatet må tilkoples jordet contact stikkontakt »

En Suède : « Apparatet eåalle rponses jusqu'au Jourdain ouais "

Les équipements enfilables de classe I de type A destinés à être connectés à d'autres équipements ou à un réseau doivent, si la sécurité repose sur une connexion à une mise à la terre fiable ou si des pararusenseurs sont connectés entre les bornes du réseau et les parties accessibles, avoir un marquage indiquant que l'équipement doit être connecté à une prise de courant secteur reliée à la terre.

IMPORTANT SÉCURITÉ INFORMATION

SÉCURITÉ INSTRUCTIONS

22. **Lire la notice** - Toutes les consignes de sécurité et d'utilisation doit être lu avant d'utiliser le produit.
23. **Conserver la notice** - Les consignes de sécurité et d'utilisation doit être conservé pour référence future.
24. **Tenir compte des avertissements** - Tous les avertissements sur le produit et dans le les instructions d'utilisation doivent être respectées.
25. **Suivre Instructions** - Tous en fonctionnement et utiliser instructions devrait être suivi.
26. **Nettoyage** - Débranchez ce produit de la prise murale avant nettoyage. Ne pas utiliser de nettoyeurs liquides ou aerosols. Utiliser un chiffon humide pour le nettoyage.
27. **Pièces jointes** - Faire pas utiliser pièces jointes pas recommandé par le fabricant du produit car ils peuvent présenter des dangers.
28. **Eau et Humidité** - À faire pas utilisez ceci produit près de l'eau par exemple, près d'une baignoire, d'un lavabo, d'un évier de cuisine ou d'une buanderie baignoire; dans un sous-sol humide ; ou près d'une piscine ; etc.
29. **Accessoires** - Ne placez pas ce produit sur un chariot instable, support, trépid, support ou table. Le produit pourrait tomber, provoquant blessures graves à un enfant ou à un adulte et dommages graves au produit. À utiliser uniquement avec un chariot, un support, un trépid, un support ou une table recommandé par le fabricant, ou vendu avec le produit. Tout montage du produit doit suivre les instructions du fabricant instructions et doit utiliser un accessoire de montage recommandé par le fabricant.
30. **Panier** - Une combinaison de produit et de panier doit être déplacée avec se soucier. Rapide s'arrête, excessif forcer, et inégal surfaces peut provoquer le renversement de la combinaison produit et chariot.
31. **Ventilation** - Machines à sous et ouvertures dans le armoire sont fourni pour ventilation à assurer fiable opération de le produit et à protéger il depuis surchauffe. Ces ouvertures doit pas être bloqué ou couvert. Le ouvertures devrait jamais être bloqué par placement le produit sur un lit, canapé, tapis ou un autre similaire surface. Ce produit devrait pas être mis dans un intégré installation tel comme un bibliothèque ou étagère à moins que ce soit approprié ventilation est fourni ou le du fabricant instructions avoir a été adhérent à.
32. **Sources d'alimentation** - Ce produit doit être utilisé uniquement à partir de le type de source d'alimentation indiqué sur l'étiquette de marquage et connecté à une prise de courant SECTEUR avec une mise à la terre de protection connexion. Si vous n'êtes pas sûr du type d'alimentation électrique à ton maison, consulter ton produit Marchand ou locale pouvoir entreprise.
33. **Protection du cordon d'alimentation** - Les cordons d'alimentation doivent être acheminé afin qu'ils ne sont pas probables à être marché sur ou pincé par articles mis sur ou contre eux, faire attention à cordons à fiches, prises de courant et point de sortie du produit.
34. **Secteur Prise** - Où le secteur prise ou un appareil coupleur est utilisé comme le déconnecter appareil, le déconnecter appareil devoir rester facilement opérable.
35. **Foudre** - Pour une protection supplémentaire de ce produit lors d'une foudre tempête, ou quand il est gauche sans surveillance et inutilisé pour long périodes de temps, débrancher il depuis le mur sortie et déconnecter le antenne ou câble système. Ce volonté prévenir dommage à le produit en raison de la foudre et des surtensions des lignes électriques.
36. **Surcharge** - Faire pas surcharge mur prises électriques, extension des cordons, ou intégral commodité réceptacles comme cela peut aboutir à un risque de incendie ou choc électrique.
37. **Sources de flammes** - Aucune source de flamme nue, telle qu'une bougies, doivent être placées sur le produit.
38. **Objet et Liquide Entrée** - Jamais pousser objets de n'importe lequel gentil dans ce produit à travers les ouvertures car ils peuvent entrer en contact dangereux points de tension ou court-circuits de pièces qui pourraient provoquer un incendie ou choc électrique. Ne jamais renverser un liquide quelconque sur le produit.
39. **Haut-parleurs** - Excessif son pression depuis haut-parleurs peut entraîner une perte auditive.
40. **Dommages nécessitant une réparation** - Débranchez ce produit du secteur. prise murale et confiez l'entretien à un personnel de service qualifié, dans les conditions suivantes :
 - a. Quand le source de courant corde ou prise est endommagé.
 - b. Si du liquide a été renversé ou si des objets sont tombés dans le produit.
 - c. Si le produit a été exposé à pluie ou de l'eau.
 - d. Si le produit a été abandonné ou endommagé dans n'importe lequel chemin.
 - e. Lorsque le produit présente un changement distinct dans ses performances- cela indique un besoin de service.
 - f. Si le produit ne fonctionne pas normalement en suivant les mode d'emploi, Réglez uniquement les commandes qui sont couvert par le en fonctionnement instructions comme un non conforme ajustement d'autres commandes peuvent entraîner des dommages et nécessiteront souvent travail approfondi par un technicien qualifié pour restaurer le produit à son fonctionnement normal.
41. **Pièces de rechange** - Lorsque les pièces de rechange sont requis, assurez-vous que le technicien de service a utilisé des pièces de rechange spécifiés par le fabricant ou ont les mêmes caractéristiques comme le original partie. Non autorisé substitutions peut résultat dans le feu, choc électrique ou autres dangers.
42. **Contrôle de sécurité** - À la fin de tout entretien ou réparation sur ce produit, demander le service technicien à effectuer sécurité chèques à déterminer que le produit est dans approprié en fonctionnement condition. L'utilisation d'appareils dans les climats tropicaux et/ou tempérés .

AVERTISSEMENT

Le foudre flash avec pointe de flèche symbole, dans un équilatéral triangle, est destiné à alerter l'utilisateur de la présence de "non isolé" "dangereux tension" dans le des produits enceinte que peut être de suffisant ordre de grandeur à constituer un risque de électrique choc pour les personnes. Le point d'exclamation dans un triangle équilatéral est destiné pour alerter l'utilisateur de la présence d'éléments importants de fonctionnement et instructions de maintenance (entretien) dans la littérature accompagnant l'appareil.



LE ÉQUIPEMENT DOIT ÊTRE CONNECTÉ À UN MISE À LA TERRE SECTEUR PRISE DE COURANT.

PRUDENCE CONCERNANT PLACEMENT

Pour maintenir une bonne ventilation, assurez-vous de laisser un espace autour l'unité (à partir des plus grandes dimensions extérieures, saillies comprises) que est égal ou supérieur à celui indiqué ci-dessous.

Haut, Bas, Devant, Arrière, Gauche, Droite Côtés: dix cm

ATTENTION - Les changements ou modifications apportés à cet équipement ne expressément approuvé par Cerwin-Vega pour la conformité pourrait annuler l'autorité de l'utilisateur pour utiliser cet équipement.

ATTENTION - Pour éviter tout choc électrique, faites correspondre la lame large de la fiche à la fente large, insérez complètement.

ATTENTION - Le marquage et la plaque signalétique se trouvent à l'arrière panneau de l'appareil.

AVERTISSEMENT - Pour réduire le risque d'incendie ou de choc électrique, ne exposer cet appareil à la pluie ou à l'humidité.

Le appareil devoir pas être exposé dégoulinant ou éclaboussures et qu'aucun objet rempli de liquide, tel que des vases, ne doit être placé sur appareil.

La fiche secteur est utilisée comme dispositif de déconnexion et elle doit rester facilement utilisable pendant l'utilisation prévue. Pour déconnecter le appareil du secteur complètement, le secteur la fiche devrait être complètement débranché de la prise de courant.

PRUDENCE - Un appareil avec une protection Terre le terminal devrait être connecté à une prise secteur avec une terre de protection connexion.

SI DANS DOUTE CONSULTER UN COMPÉTENT ÉLECTRICIEN. REMARQUES SUR LA PROTECTION DE L'ENVIRONNEMENT

À la fin de c'est utile vie, ce produit doit pas être disposé de avec les ordures ménagères mais doit être rapporté à un point de collecte pour le recyclage des appareils électriques et électroniques équipement. Le symbole sur le produit, le manuel d'utilisation et L'emballage le souligne.

Les matériaux peuvent être réutilisés conformément à leurs marquages. Grâce à la réutilisation, au recyclage des matières premières ou à d'autres formes de recyclage de vieux produits, vous apportez une contribution importante contribution à la protection de notre environnement.

Ton locale administratif bureau peut conseiller toi de le responsable point d'élimination des déchets.



Remarque : Lettre CVE de conformité CE disponible par email : ra2@dat-cvm.com

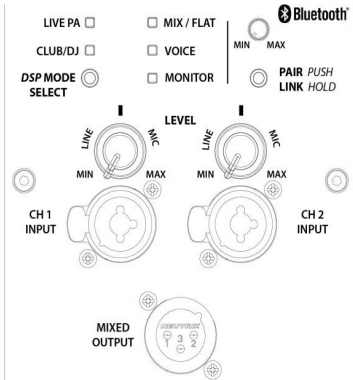
Rapide Mise en place

Les étapes ci-dessous fournissent une référence rapide sur la façon de configurer et d'utiliser un seul haut-parleur. Un typique la configuration suivra les mêmes étapes de base.

ÉTAPE 1	<ul style="list-style-type: none">✓ Faire bien sûr le haut-parleur est débranché.✓ Être bien sûr le pouvoir changer est ensemble à le DÉSACTIVÉ position.✓ Tourner le NIVEAU bouton à le le plus bas niveau (pleinement dans le sens inverse des aiguilles d'une montre).
ÉTAPE 2	<ul style="list-style-type: none">✓ Lieu le haut-parleur dans le idéal emplacement.✓ Connectez la SORTIE de l'équipement audio source à l'ENTRÉE du haut-parleur. Être assurez-vous que l'équipement source est sous tension et réglé sur un niveau de sortie normal.
ÉTAPE 3	<ul style="list-style-type: none">✓ Connecter le pouvoir corde à le haut-parleur CA pouvoir sortie.✓ Ensemble le POUVOIR basculer vers la position ON et vérifie que le LED MODE DSP Le voyant est allumé.✓ Lentement tourner le NIVEAU bouton dans le sens des aiguilles d'une montre jusqu'à le son sortir est à le voulu niveau. S'il n'y a pas de son, vérifiez que l'équipement source est fournissant une sortie audio .
NOTE	Quand toi sont fait en utilisant le haut-parleur, ensemble le POUVOIR changer à DÉSACTIVÉ <u>AVANT</u> suppression n'importe lequel câbles et tournant désactivé le source l'audio équipement.

Haut-parleur placement

- Jamais indiquer un microphone directement à un haut-parleur, comme ce volonté résultat dans extrême retour (son indésirable). Assurez-vous que le haut-parleur est placé loin de l'avant du microphone ou directement derrière le microphone en position de retour au sol.
- Quand utilisé avec platines, soigneusement lieu le haut-parleur donc que n'importe lequel vibrations faire pas interférer avec les performances et la fonctionnalité du tourne-disque.
- Évitez de placer l'enceinte dans les coins ou le long des murs d'une pièce. Cette volonté augmenter le contenu basse fréquence de l'audio et peut entraîner un son boueux et reproduction sonore incohérente.
- Éviter placer les enceintes directement sur une scène creuse. Il vaut mieux placer les haut-parleurs sur un trépied ou une table solide.
- Le haut-parleur doit être placé de deux à quatre pieds au-dessus du niveau des oreilles du public. puisque le corps humain peut absorber le son, surtout à hautes fréquences. Cela fera afin que l'ensemble du public puisse entendre le système audio avec la meilleure clarté possible.



mode est un super départ indiquer pour mélange en direct événements.

(F) DSP MODE SÉLECTIONNER

Ce bouton de sélection de mode vous permet de basculer entre notre 5 égaliseur préconfigurations. Écouter à chaque de ceux-ci et déterminer ce qui est le meilleur pour toi.

EN DIRECT - Meilleur utilisé pour en direct musique la sonorisation, ça équilibre et adoucit fréquences que peut dominer et feedback dans un live mélanger.

CLUB/DJ - Ce mode ajoute définition vers le haut et le bas fréquences, il est principalement utilisé pour la lecture d'EDM/Pop/Hip Hop/blon/etc. musique.

MIX / FLAT - Un mélange bien équilibré réponse globale du haut-parleur avec Plus profond bas de gamme extension. Ce

VOICE - Ce mode améliore la clarté vocale et est mieux utilisé lors de l'utilisation d'une dynamique commune microphone connecté directement à l'une des entrées CH.

MONITEUR - Utilisez ce mode lorsque vous utilisez le système comme retour de scène avec un microphone, il équilibre et adoucit les fréquences sujettes au feedback dans un mixage de retour.

(G) BLUETOOTH

Nous avons inclus Vrai Sans fil Stéréo (TWS) Bluetooth connectivité dans le CVE. À PAIRE avec un l'unité, appuyez une fois sur le bouton de paire. Le voyant bleu commencera à clignoter et votre appareil apparaîtra dans votre Liste des appareils Bluetooth. Pour relier 2 appareils ensemble en stéréo, appuyez et maintenez la première unité jusqu'à ce qu'elle commence orange clignotant. Alors pousser et prise le autre unités bouton jusqu'à il clignote en orange. Après dix secondes le unités volonté Lier ensemble dans un Stéréo paire. Une fois jumelé toi peut basculer entre Stéréo & MONO en appuyant deux fois sur le bouton d'appairage pendant la lecture audio.

Remarque : vous ne pouvez pas PAIR, UN-PAIR ou LINK des unités pendant la lecture audio. Voir le manuel et l'application Guide pour plus de détails.

(H) SAISIR 1 & SAISIR 2

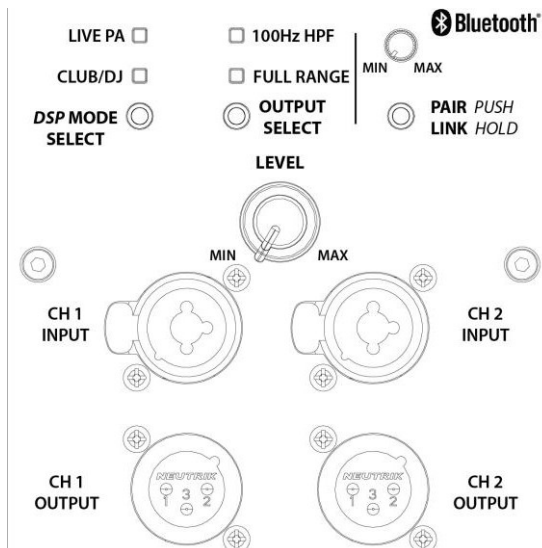
Ces sont Équilibré Combo Contributions en permettant pour équilibré XLR/TRS câbles à être inséré comme DOUBLER & MICRO les niveaux.

(I) NIVEAU BOUTONS

Canal 1 & 2 NIVEAU boutons ajuster le gagner niveau sur le respectif saisir signal. Le NIVEAU est conçu à utiliser pour une entrée de niveau LINE ainsi qu'une entrée de niveau MIC. Position complète dans le sens inverse des aiguilles d'une montre (MIN) vers le haut (dans la détente) est le réglage des niveaux LINE. Alors que du simple au complet La position dans le sens des aiguilles d'une montre (MAX) ajuste les niveaux du micro. Le bouton de niveau Bluetooth est fourni pour que vous peut ajuster le niveau des signaux Bluetooth pour correspondre à vos autres entrées selon vos besoins.

(J) MÉLANGER SORTIR

Cette connexion est conçue pour fournir une sortie qui combine tous les canaux, y compris Bluetooth ensemble pour se connecter à un autre haut-parleur amplifié ou à un appareil d'enregistrement. Cette sortie est affectée en modifiant le bouton LEVEL de chaque canal.



CVE-18 Arrière Panneau

(A) DSP MODE SÉLECTIONNER

Ce bouton de sélection de mode permet toi à basculer entre notre 2 pré-réglages d'égalisation. Écoutez chacun de ces et déterminer quoi est meilleur pour toi.

EN DIRECT Pennsylvania - Meilleur utilisé pour en direct musique renfort sonore, il dispose d'un bas de gamme plus profond et plus équilibré réponse.
CLUB/DJ - Ce mode ajoute définition et punch au sous fréquences, il est principalement utilisé pour la lecture d'EDM/Pop/Hip Houblon/etc.

musique.

**(B) SÉLECTION DU
MODE DE SORTIE**

Ce bouton de sélection de mode vous permet de basculer entre un filtre passe-haut de 100 Hz sur les sorties ; fournir un croisement vers le haut boîtes ou laissez la plage complète de la prise de sortie.

(C) BLUETOOTH

Nous avoir inclus Vrai Sans fil Stéréo (TWS) Bluetooth connectivité dans le CVE. À PAIRE avec un l'unité, appuyez une fois sur le bouton de paire. Le voyant bleu commencera à clignoter et votre appareil apparaîtra dans votre Liste des appareils Bluetooth. Pour relier 2 appareils ensemble en stéréo, appuyez et maintenez la première unité jusqu'à ce qu'elle commence orange clignotant. Alors pousser et prise le autre unités bouton jusqu'à il clignote en orange. Après dix secondes le unités volonté LIEN ensemble dans un Stéréo paire. Une fois jumelé toi peut basculer entre STÉRÉO & MONO en appuyant deux fois sur le bouton d'appairage pendant la lecture audio.

Remarque : vous ne pouvez pas PAIR, UN-PAIR ou LINK des unités pendant la lecture audio.

(D) SAISIR 1 & SAISIR 2

Ces sont Équilibré Combo Contributions en permettant pour équilibré LIGNE XLR/TRS les niveaux.

(E) NIVEAU BOUTON

Le LEVEL ajuste le niveau de sortie des subwoofers pour tous les canaux de manière égale. Le niveau Bluetooth bouton est fourni donc que toi peut ajuster le niveau de le Bluetooth signaux à correspondre ton autre contributions comme nécessaire.

(F) LES SORTIES 1 & 2

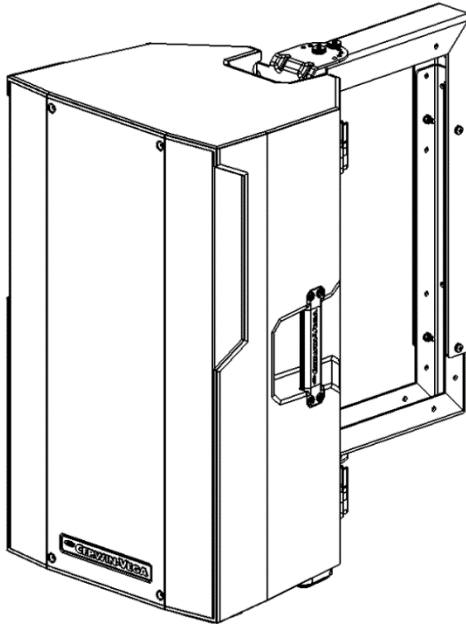
Cette connexion est conçue pour fournir une sortie qui combine chaque canal d'entrée avec le signal Bluetooth entrant respectivement, pour la connexion à un autre haut-parleur alimenté ou à un enregistrement appareil. Cette sortie n'est pas affectée par les modifications apportées au bouton LEVEL.

MONTAGE MUR/PLAFOND en option

(le kit mur/plafond est vendu séparément)

Les SÉRIES CVE sont conçues pour être :

4. Au sol.
5. Lorsqu'un caisson de basses et la tour sont utilisés ensemble, ceux-ci peuvent être montés verticalement l'un sur l'autre via la prise de montage sur poteau intégrée dans les deux enceintes qui accepte un poteau d'enceinte standard vendu séparément.
6. Les armoires sont conçues pour accepter notre kit de montage mural/plafond vendu séparément.



SPÉCIFICATIONS



	CVE-10*	CVE-12*	CVE-15''	CVE-18''
Puissance nominale	1000	1000	1000	1000
Classe d'amplificateur	D	D	D	D
Réponse en fréquence (+/- 3dB)	65 Hz - 18 kHz	55 Hz - 18 kHz	47 Hz - 18 kHz	35 Hz -225 Hz
Gamme de fréquences (+/- 10dB)	60 Hz - 20 kHz	50 Hz - 20 kHz	42 Hz - 20 kHz	30 Hz -250 Hz
SPL maximum	124	126	128	126
Pilote HF	1"	1"	1"	N / A
Pilote LF	dix"	12"	15"	18"
Dispersion	90°x60°	90°x60°	90°x60°	N / A
Entrée sortie	(2) Entrées combinées XLR/TRS (1) Combinaison SORTIE XLR	(2) Entrées combinées XLR/TRS (1) Combinaison SORTIE XLR	(2) Entrées combinées XLR/TRS (1) Combinaison SORTIE XLR	(2) Entrées combinées XLR/TRS (2) Combinaison SORTIE XLR
Commutateurs	Sélection du mode EQ (5 modes) Paire/Lien Bluetooth	Sélection du mode EQ (5 modes) Paire/Lien Bluetooth	Sélection du mode EQ (5 modes) Paire/Lien Bluetooth	Sélection du mode EQ (2 modes) Paire/Lien Bluetooth Sélection du mode de sortie
Enceinte	Polymère	Polymère	Polymère	Contre-plaqué
Finition	Standard	Standard	Standard	Peinture
Dimensions (hxlxd)	558 mm x 328 mm x 288 mm	619 mm x 358 mm x 320 mm	694 mm x 425 mm x 380 mm	620 mm x 533 mm x 648 mm
Poids en livres.)	33	35	39	60
Poids (kg)	15	15.9	17.7	27.2

Remarque : les CVE ont été testés à la température et à l'altitude de l'environnement de travail les plus élevées (45°/2000 m).

Version Bluetooth : 5.3

- Gamme de fréquences de l'émetteur Bluetooth : 2402 MHz - 2480 MHz
- Puissance de l'émetteur Bluetooth : <11 dBm (EIRP)

* Spécifications et apparence sujettes à changement

GARANTIE ÉTATS-UNIS INFORMATION

Cerwin-Vega, Inc offre une garantie d'un an sur les modèles CVE dans les conditions suivantes.

La garantie est valable uniquement pour l'acheteur au détail d'origine et n'est pas transférable. Pour être éligible à la garantie, le produit doit être enregistré dans les 15 jours à compter de la date indiquée sur le reçu de vente.

Pour obtenir des travaux de réparation sous garantie :

8. Contactez le service client Cerwin-Vega et fournissez-lui le numéro de série du produit et la preuve d'achat.
9. S'il est déterminé que le produit est couvert par la garantie de Cerwin-Vega, Inc, Cerwin-Vega émettra un numéro RMA autorisé.
10. Le client doit expédier le produit au centre de service agréé Cerwin-Vega à l'adresse fournie par le représentant du service client.
11. Le client est responsable de tous les frais d'expédition, sauf indication contraire.
12. Cerwin-Vega réparera ou remplacera le produit à sa seule discrétion.
13. Si le produit est réparé, il sera renvoyé gratuitement au client.
14. Si le produit est remplacé, le client sera responsable de renvoyer l'ancien produit à Cerwin-Vega avant que le produit de remplacement ne soit envoyé au client.

Veillez noter que tout retour non autorisé envoyé à Cerwin-Vega, Inc sera refusé. Cela signifie que vous devez d'abord contacter le service client de Cerwin-Vega pour rechercher tout travail potentiel sous garantie et obtenir un numéro RMA autorisé avant d'essayer d'expédier le produit à l'adresse fournie par le représentant du service client de Cerwin-Vega, Inc. L'expédition du produit relève de la responsabilité du client.

Voici quelques éléments supplémentaires à garder à l'esprit lors du dépôt d'une réclamation au titre de la garantie :

- Vous devez avoir enregistré votre produit dans les 15 jours suivant la date du ticket de caisse.
- La période de garantie est d'un an à compter de la date d'achat une fois enregistré
- La garantie ne couvre pas les dommages causés par un abus, un accident, une mauvaise utilisation ou une négligence, des modifications ou des réparations non autorisées effectuées en dehors des centres de réparation agréés du service client.
- Vous devez fournir une preuve d'achat (copie du reçu de vente original) pour faire une réclamation au titre de la garantie.

INFORMATIONS SUR LA GARANTIE INTERNATIONALE :

Cerwin-Vega n'offre aucune garantie d'aucune sorte pour les produits vendus en dehors des États-Unis.

Veillez contacter votre revendeur auprès duquel vous avez acheté le produit pour toutes les réclamations au titre de la garantie, le service ou toute autre demande de renseignements.

Cerwin- Vega,Inc

Service client aux États-Unis :

Personne-ressource : 1-213-261-4161

Courriel : ra2@dat-cvm.com

CVE Motorizado Vocero Serie
de inicio rápido Guía
Delaware casarse rápido
guia Delaware inicio
rápido Kurzanleitung



Felicitaciones. ¡Bienvenido a la familia Cerwin-Vega! Te has unido a un grupo creciente de audio Profesionales que han recurrido a Cerwin-Vega en busca de los sistemas de reproducción de audio más avanzados. disponible. Todos los productos Cerwin-Vega se prueban minuciosamente para garantizar que cumplan o superen nuestras actuación especificaciones. Respaldo por el mejor servicio de la industria, Cerwin-Vega es dedicado a calidad y fiabilidad.

Antes Tú Comenzar

En esta guía se trata la serie de altavoces autoamplificados CVE de Cerwin-Vega, que consta de nuestros altavoces de torre CVE-10, CVE-12, CVE-15 y también nuestro subwoofer de alta potencia CVE-18S.

Los CVE están diseñados para aplicaciones móviles y algunas fijas en las que los altavoces se instalarán adecuadamente en un trípode, poste, se colgarán utilizando el soporte de pared CVE o se apilarán sobre una plataforma resistente, como un piso o un escenario.

Cerwin-Vega no admite la suspensión del subwoofer modelo CVE-18S cubierto por esta guía ni Estos modelos están destinados a instalaciones fijas al aire libre o de alta humedad. La humedad puede dañar el vocero como o rodear y causar corrosión de eléctrico contactos entonces evitar exponiendo el Altavoces para dirigir la humedad.

Los altavoces Cerwin-Vega son capaces de producir mucha energía acústica. El altavoz puede ser propenso a moverse si se coloca sobre una superficie resbaladiza como madera pulida o linóleo debido a sus propias vibraciones. Para garantizar que el altavoz no se caiga del escenario o de la mesa en la que está colocado, siempre se deben implementar precauciones de seguridad para evitar que esto suceda.

Nuestros ponentes CVE incluir a polo taza a permitir montaje de a satélite vocero en arriba de el subwoofer utilizando un eje de poste de altavoz estándar. Cuando utilice un eje de poste de altavoz estándar, asegúrese observar las siguientes precauciones:

- Controlar el vocero polo eje especificaciones a ser cierto él poder apoyo el peso de el Altavoces.
- Observar todo seguridad precauciones especificado por el vocero polo eje fabricante.
- Siempre verificar eso el subwoofer es metido en a plano, nivel, y estable superficie.
- Ruta cables entonces eso pie tráfico voluntad no viaje encima a ellos, derribando el vocero.
- Siempre ser precavido en ventoso condiciones como el estabilidad de el completo sistema puede ser comprometida.

Cerwin-Vega Altavoces son fácilmente capaz de generando sonido presión niveles (SPL) de magnitud suficiente para causa permanente audiencia daño a artistas intérpretes o ejecutantes, producción multitud y audiencia miembros. Precaución debería Se debe tomar medidas para evitar la exposición prolongada a SPL superiores a 90 dB(A).

DECLARACIÓN DE CONFORMIDAD

Declaración de la FCC :



Identificación de la FCC: 2BCMC-GC253367

IC: 28474-AAAPL01

Este equipo ha sido probado y cumple con los límites para un dispositivo digital de Clase B, de conformidad con la parte 15 de las normas de la FCC. Estos límites están diseñados para proporcionar una protección razonable contra interferencias dañinas en una instalación residencial. Este equipo genera usos y puede irradiar energía de radiofrecuencia y, si no se instala y utiliza de acuerdo con las instrucciones, puede causar interferencias dañinas en las comunicaciones por radio. Sin embargo, no hay garantía de que no se produzcan interferencias en una instalación en particular. Si este equipo causa interferencias dañinas en la recepción de radio o televisión, lo cual se puede determinar encendiendo y apagando el equipo, se recomienda al usuario que intente corregir la interferencia mediante una o más de las siguientes medidas:

- Reoriente o reubique la antena receptora.
- Aumentar la separación entre el equipo y el receptor.
- Conecte el equipo a una toma de corriente de un circuito diferente al que está conectado el receptor.
- Consulte al distribuidor o a un técnico experimentado en radio/TV para obtener ayuda.

Cualquier cambio o modificación no aprobado expresamente por la parte responsable del cumplimiento podría anular la autoridad del usuario para operar el equipo.

Declaración ISED :

Este dispositivo contiene transmisores/receptores exentos de licencia que cumplen con los RSS exentos de licencia de Innovación, Ciencia y Desarrollo Económico de Canadá. La operación está sujeta a las dos condiciones siguientes:

- (1) Es posible que este dispositivo no cause interferencias.
- (2) Este dispositivo debe aceptar cualquier interferencia, incluida la interferencia que pueda causar un funcionamiento no deseado del dispositivo.

L'émetteur / récepteur exento de licencia contenida en el presente aparato est conforme aux CNR d'Innovación , Ciencias y Desarrollo économique Canada aplicable a los aparatos de radio exentos de licencia . La explotación est Autorisée aux dos condiciones siguientes :

- 1) L'appareil ne doit pas produire de brouillage ;
- 2) El aparato debe aceptar todo brouillage radioeléctrico subi , meme si le brouillage es susceptible d'en comprometer el funcionamiento .

Este transmisor no debe ubicarse ni funcionar junto con ninguna otra antena o transmisor. Este equipo debe instalarse y operarse con una distancia mínima de 20 centímetros entre el radiador y su cuerpo.

cet émetteur ne doit pas être Co- placé ¿ No funciona ? es même temps qu'aucune otro antena UNED émetteur . cet equipo devrait ser Instale y actúe con una distancia mínima de 20 centímetros entre el radiador y su cuerpo.



Advertencia : El aparato con construcción CLASE I se conectará a una toma de corriente de RED con una conexión de protección a tierra.

En Dinamarca: "Aparatos puntal skal tilsluttes es stikkontakt med jord , som giver forbindelse hasta stikproppens jord ."

En Finlandia: "Laite on liitettävä suojakoskettimilla varustettuun pistorasialtiko "

En Noruega: "Aparato mamá tilkoples jordet contacto directo "

En Suecia: "Apparaten Skall anslutas hasta jordat etiketter "

Los equipos enchufables de Clase I tipo A destinados a la conexión a otros equipos o a una red, si la seguridad depende de una conexión a tierra confiable o si hay supresores de sobretensiones conectados entre los terminales de la red y las partes accesibles, tendrán una marca que indique que el equipo debe estar conectado a una toma de corriente con conexión a tierra.

La operación de este equipo está sujeta a las siguientes dos condiciones: (1) es posible que este equipo o dispositivo no cause interferencia perjudicial y (2) este equipo o dispositivo debe aceptar cualquier interferencia, incluyendo la que pueda causar su operación no deseada

IMPORTANTE SEGURIDAD INFORMACIÓN

SEGURIDAD INSTRUCCIONES

43. Leer instrucciones - Todas las instrucciones de seguridad y funcionamiento. debe leerse antes de utilizar el producto.

44. Conserve las instrucciones : las instrucciones de seguridad y funcionamiento debe conservarse para referencia futura.

45. Preste atención a las advertencias : todas las advertencias en el producto y en el Se deben seguir las instrucciones de funcionamiento.

46. Seguir Instrucciones - Todo operando y usar instrucciones debería ser seguido.

47. Limpieza : desenchufe este producto del tomacorriente de pared antes limpieza. No usar limpiadores líquidos o en aerosol. Usar una paño húmedo para la limpieza.

48. Adjuntos - Hacer no usar archivos adjuntos no recomendado por fabricante del producto, ya que pueden causar peligros.

49. Agua y Humedad - Hacer no utilizar esta producto cerca del agua para por ejemplo, cerca de una bañera, un lavabo, un fregadero o una lavandería bañera; en un sótano húmedo; o cerca de una piscina; y similares.

50. Accesorios : no coloque este producto sobre un carro inestable, soporte, trípode, soporte o mesa. El producto podría caerse, provocando lesiones graves a un niño o un adulto y daños graves al producto. Úselo únicamente con un carro, soporte, trípode, soporte o mesa recomendado por el fabricante o vendido con el producto. Cualquier montaje del producto debe seguir las instrucciones del fabricante. instrucciones y debe utilizar un accesorio de montaje recomendado por el fabricante.

51. Carrito : se debe mover una combinación de producto y carrito con cuidado. Rápido se detiene, excesivo fuerza, y desigual superficies puede provocar que la combinación de producto y carrito se vuelque.

52. Ventilación - Tragamonedas y aberturas en el gabinete son proporciono para ventilación a asegurar confiable operación de el producto y a proteger él de calentamiento excesivo. Estos aberturas debe no ser obstruido o cubierto. El aberturas debería nunca ser obstruido por colocación el producto en a cama, sofá, alfombra o otro similar superficie. Este producto debería no ser metido en a incorporado instalación semejante como un estantería o estante a menos que sea apropiado ventilación es proporciono o el del fabricante instrucciones tener estado unido a.

53. Fuentes de energía : este producto debe operarse sólo desde el tipo de fuente de alimentación indicado en la etiqueta de marcado y conectado a una toma de red con toma de tierra de protección conexión. Si no está seguro del tipo de fuente de alimentación su hogar, consultar su producto distribuidor o local fuerza compañía.

54. Protección del cable de alimentación : los cables de alimentación deben estar enrutado para que ellos no son probables a ser caminó en o pellizcado por elementos metido al o contra a ellos, prestar atención a cuerdas en enchufes, receptáculos de conveniencia y el punto por donde salen del producto.

55. Red eléctrica Enchufar - Dónde el red eléctrica enchufar o un aparato acoplador es usado como el desconectar dispositivo, el desconectar dispositivo deberá permanecer fácilmente operable.

56. Rayos : para mayor protección de este producto durante un iluminación tormenta, o cuando él es izquierda desesperado y no usado para largo períodos de tiempo, desenchufar él de el muro salida y desconectar el antena o cable sistema. Este voluntad prevenir daño a el producto debido a rayos y sobretensiones en las líneas eléctricas.

57. Sobrecarga - Hacer no sobrecarga muro salidas, extensión cuerdas, o integral conveniencia receptáculos como esto puede resulta en un riesgo de incendio o descarga eléctrica.

58. Fuentes de llamas : no se permiten fuentes de llamas descubiertas, como velas, deben colocarse sobre el producto.

59. Objeto y líquido Entrada - Nunca empujar objetos de cualquier amable en Este producto a través de las aberturas ya que pueden tocar materiales peligrosos. puntos de voltaje o piezas en cortocircuito que podrían provocar un incendio o descarga eléctrica. Nunca derrame líquido de ningún tipo sobre el producto.

60. Altavoces - Excesivo sonido presión de altavoces puede causar pérdida de audición.

61. Daños que requieren servicio : desenchufe este producto del tomacorriente de pared y consulte el servicio con personal de servicio calificado. bajo las siguientes condiciones:

a. Cuando el fuente de alimentación cable o enchufar es dañado.

b. Si se ha derramado líquido o han caído objetos dentro del producto.

c. Si el producto tiene estado expuesto a lluvia o agua.

d. Si el producto tiene estado abandonó o dañado en cualquier forma.

e. Cuando el producto muestra un cambio distintivo en el rendimiento. esto indica una necesidad de servicio.

f. Si el producto no funciona normalmente siguiendo las instrucciones de operación. Ajuste sólo aquellos controles que estén cubierto por el operando instrucciones como un incorrecto ajustamiento otros controles pueden provocar daños y a menudo requerirán Trabajo exhaustivo realizado por un técnico calificado para restaurar el producto. a su normal funcionamiento.

62. Piezas de repuesto : cuando se necesitan piezas de repuesto requerido, asegúrese de que el técnico de servicio haya utilizado piezas de repuesto especificado por el fabricante o tener las mismas características como el original parte. No autorizado sustituciones puede resultado en fuego, descarga eléctrica u otros peligros.

63. Verificación de seguridad : al finalizar cualquier servicio o reparación de este producto, preguntar el servicio técnico a llevar a cabo seguridad cheques

a determinar eso el producto es en adecuado operando condición. El uso de aparatos en climas tropicales y/o moderados .

ADVERTENCIA

El iluminación flash con punta de flecha símbolo, dentro un equilateral triángulo, tiene como objetivo alertar al usuario de la presencia de sin

aislamiento "peligroso Voltaje" dentro el productos recinto eso puede ser de suficiente magnitud a constituir a riesgo de eléctrico shock a las personas

El signo de exclamación dentro de un triángulo equilátero es destinado para alertar al usuario de la presencia de importantes problemas operativos y instrucciones de mantenimiento (servicio) en la literatura que acompaña al aparato.



EL EQUIPO DEBE SER CONECTADO A UN A TIERRA RED ELÉCTRICA TOMA DE CORRIENTE.

PRECAUCIÓN ACERCA DE COLOCACIÓN

Para mantener una ventilación adecuada, asegúrese de dejar un espacio alrededor la unidad (desde las dimensiones exteriores más grandes, incluidas las proyecciones) que es igual o mayor que lo que se muestra a continuación.

Arriba, Abajo, Frente, Trasero, Izquierda, Bien Lados: 10 cm

PRECAUCIÓN: Los cambios o modificaciones a este equipo no aprobado expresamente por Cerwin-Vega para su cumplimiento podría anular la autoridad del usuario para operar este equipo.

PRECAUCIÓN: para evitar descargas eléctricas, haga coincidir la clavija ancha del enchufe en la ranura ancha, insértelo completamente.

PRECAUCIÓN: la marca y la placa de características se pueden encontrar en la parte trasera panel del aparato.

ADVERTENCIA - Para reducir el riesgo de incendio o descarga eléctrica, no exponga este aparato a la lluvia o la humedad.

El aparato deberá no ser expuesto a gotear o salpicar y que no se coloquen objetos llenos de líquido, como jarrones, en aparato.

El enchufe de red se utiliza como dispositivo de desconexión y debe permanecer fácilmente operable durante el uso previsto. Para desconectar el aparato desde el red eléctrica completamente, el red eléctrica el enchufe debe ser desconectado completamente de la toma de corriente.

PRECAUCIÓN - Un aparato con un protector tierra terminal debe

Estar conectado a una toma de corriente con un protector de tierra conexión.

SI EN DUDA CONSULTAR A COMPETENTE ELECTRICISTA. NOTAS SOBRE PROTECCIÓN AMBIENTAL

En el fin de es útil vida, este producto debe no ser dispuesto de con la basura doméstica normal, pero debe devolverse a un Punto de recogida para el reciclaje de aparatos eléctricos y electrónicos equipo. El símbolo en el producto, el manual del usuario y El embalaje señala esto.

Los materiales se pueden reutilizar de acuerdo con sus marcas. Mediante la reutilización, el reciclaje de materias primas u otras formas de reciclaje de productos viejos, estás haciendo un importante contribución a la protección de nuestro medio ambiente.

Su local administrativo oficina poder aconsejar tú de el responsable punto de disposición de residuos.



Nota: Carta CVE de conformidad CE disponible por correo electrónico: ra2@dat-cvm.com

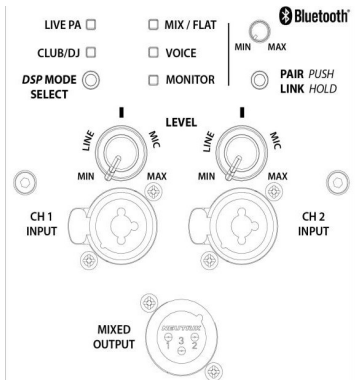
Rápido Configuración _

Los pasos siguientes proporcionan una referencia rápida sobre cómo configurar y utilizar un solo altavoz. un tipico La configuración seguirá los mismos pasos básicos.

PASO 1	<ul style="list-style-type: none">✓ Hacer seguro el altoparlante es desenchufado.✓ Ser seguro el fuerza cambiar es colocar a el APAGADO posición.✓ Doblar el NIVEL mando a el más bajo nivel (completamente en el sentido contrario a las agujas del reloj).
PASO 2	<ul style="list-style-type: none">✓ Lugar el altoparlante en el ideal ubicación.✓ Conecte la SALIDA del equipo de audio fuente a la ENTRADA del altavoz. Ser Asegúrese de que el equipo fuente esté encendido y configurado en un nivel de salida normal.
PASO 3	<ul style="list-style-type: none">✓ Conectar el fuerza cable a el altoparlante C.A. fuerza salida.✓ Colocar el FUERZA cambiar a la posición ON y verificar que el LED DE MODO DSP El indicador está iluminado.✓ Despacio doblar el NIVEL mando agujas del reloj hasta el sonido producción es en el deseado nivel. Si no hay sonido, verifique que el equipo fuente esté proporcionando salida de audio .
NOTA	Cuando tú son hecho usando el altoparlante, colocar el FUERZA cambiar a APAGADO <u>ANTES</u> eliminando cualquier cables y torneado apagado el fuente audio equipo.

Altoparlante colocación

- Nunca punto a micrófono directamente en a altoparlante, como este voluntad resultado en extremo comentario (sonido no deseado). Asegúrese de que el altavoz esté alejado del frente del micrófono o directamente detrás del micrófono cuando esté en una posición de monitor de piso.
- Cuando usado con tocadiscos, con cuidado lugar el altoparlante entonces eso cualquier vibraciones hacer no interferir con el rendimiento y la funcionalidad del tocadiscos.
- Evite colocar el altavoz en las esquinas o a lo largo de las paredes de una habitación. Esta voluntad aumenta el contenido de baja frecuencia del audio y puede resultar en un sonido turbio y Reproducción de sonido incoherente.
- Evitar colocando los parlantes directamente sobre un escenario hueco. Es mejor colocar los altavoces sobre trípodes o sobre una mesa resistente.
- El altavoz debe colocarse entre dos y cuatro pies por encima del nivel del oído de la audiencia. ya que el cuerpo humano puede absorber el sonido especialmente en altas frecuencias. esto hará Asegúrese de que toda la audiencia pueda escuchar el sistema de sonido con la mayor claridad posible.



modo es a excelente a partir de punto para mezclando vivir eventos.

CVE-10/12/15 Trasero Panel

(K) DSP MODO SELECCIONAR

Este botón de selección de modo le permite alternar entre nuestro 5 Ecualizador Preajustes. Escuchar a cada de estos y determinar cuál es lo mejor para ti.

VIVIR Pensilvania - Mejor usado para vivir música refuerzo de sonido, equilibra y suaviza frecuencias eso poder dominar y retroalimentar en un vivo mezcla.

CLUB/DJ : este modo añade definición a lo alto y lo bajo frecuencias, se utiliza principalmente para reproducción de EDM/Pop/Hip Salto/etc. música.

MIX / FLAT - Un sonido bien equilibrado respuesta general del hablante con Más adentro gama baja extensión. Este

VOZ : este modo mejora la claridad vocal y se utiliza mejor cuando se utiliza una dinámica común. micrófono conectado directamente a una de las entradas CH.

MONITOR : utilice este modo cuando utilice el sistema como monitor de escenario con micrófono, ya que equilibra y suaviza las frecuencias que son propensas a la realimentación en una mezcla de monitores.

(L) BLUETOOTH

Nosotros tener incluido Verdadero Inalámbrico Estéreo (TWS) Bluetooth conectividad en el CVE. A PAR con una unidad presione el botón de emparejamiento una vez. La luz azul comenzará a parpadear y su unidad aparecerá en su Lista de dispositivos Bluetooth. Para CONECTAR 2 dispositivos en estéreo, presione y mantenga presionada la primera unidad hasta que comienza naranja intermitente. Entonces empujar y sostener el otro unidades botón hasta él parpadea en naranja. Después 10 segundos el unidades voluntad Unir en a Estéreo par. Una vez emparejado tú poder palanca entre Estéreo Y MONO tocando dos veces el botón de emparejamiento mientras se reproduce el audio.

Nota: no es posible EMPAREJAR, DESEMPAREJAR o ENLACE unidades mientras se reproduce audio. Ver manual y aplicación Guía para más detalles.

(M) APORTE 1 & APORTE 2

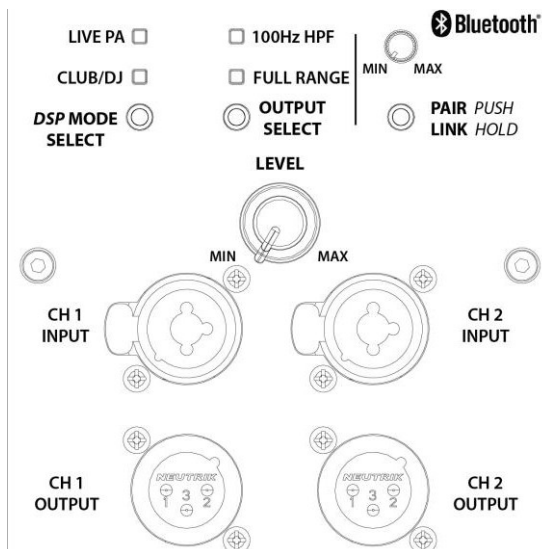
Estos son Equilibrado combinado Entradas permitiendo para equilibrado XLR/TRS cables a ser insertado como LÍNEA & micrófono niveles.

(N) NIVEL PERILLAS

Canal 1 & 2 NIVEL perillas ajustar el ganar nivel en el respectivo aporte señal. El NIVEL es diseñado para ser utilizado para una entrada de nivel LINE así como para una entrada de nivel MIC. Posición totalmente antihoraria (MIN) hacia arriba (hasta el tope) es un ajuste para los niveles de LÍNEA. Mientras que de directo a completo La posición en el sentido de las agujas del reloj (MAX) se ajusta a los niveles de MIC. La perilla de nivel de Bluetooth se proporciona para que usted Puede ajustar el nivel de las señales Bluetooth para que coincida con sus otras entradas según sea necesario.

(O) MEZCLA PRODUCCIÓN

Esta conexión está diseñada para proporcionar una salida que combine todos los canales, incluido Bluetooth. juntos para conectarlos a otro altavoz autoamplificado o a un dispositivo de grabación. Esta salida se ve afectada mediante cambios en la perilla LEVEL de cada canal.



CVE-18 Trasero Panel

(A) DSP MODO SELECCIONAR

Este botón de selección de modo permite tú a palanca entre nuestro 2 preajustes de ecualizador. Escuche cada uno de estos y determinar qué es mejor para tú.

VIVIR Pensilvania - Mejor usado para vivir música refuerzo de sonido, tiene un Graves más profundos y equilibrados. respuesta.

CLUB/DJ : este modo añade definición y golpe a sub frecuencias, se utiliza

principalmente para reproducción de EDM/Pop/Hip Salto/etc. música.

(B) SELECCIONAR MODO DE SALIDA

Este botón de selección de modo

le permite alternar entre un filtro de paso alto de 100 Hz en las salidas; proporcionando un cruce hacia la cima cajas o dejar el rango completo del conector de salida.

(C) BLUETOOTH

Nosotros tener incluido Verdadero Inalámbrico Estéreo (TWS) Bluetooth conectividad en el CVE. A PAR con uno unidad presione el botón de emparejamiento una vez. La luz azul comenzará a parpadear y su unidad aparecerá en su Lista de dispositivos Bluetooth. Para CONECTAR 2 dispositivos en estéreo, presione y mantenga presionada la primera unidad hasta que comienza naranja intermitente. Entonces empujar y sostener el otro unidades botón hasta él parpadea en naranja. Después 10 segundos el unidades voluntad ENLACE juntos en a Estéreo par. Una vez emparejado tú poder palanca entre ESTÉREO Y MONO tocando dos veces el botón de emparejamiento mientras se reproduce el audio.

Nota: no es posible EMPAREJAR, DESEMPARAR o ENLACE unidades mientras se reproduce audio.

(D) APORTE 1 & APORTE 2

Estos son Equilibrado combinado Entradas permitiendo para equilibrado LÍNEA XLR/TRS niveles.

(E) NIVEL MANDO

NIVEL ajusta el nivel de salida de los subwoofers para todos los canales por igual. El nivel de Bluetooth mando es proporcionó entonces eso tú poder ajustar el nivel de el Bluetooth señales a fósforo su otro entradas como necesario.

(F) SALIDAS 1 & 2

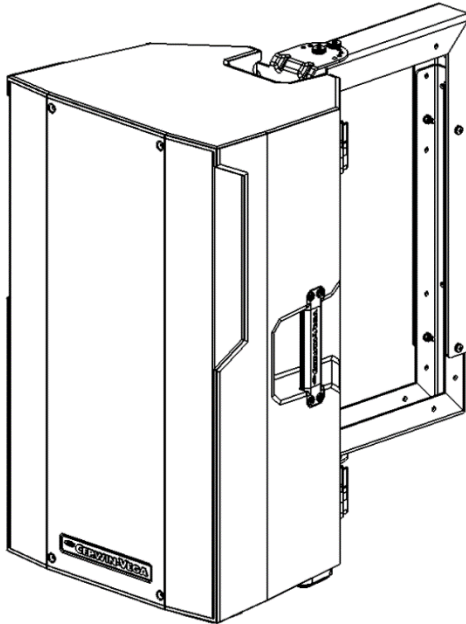
Esta conexión está diseñada para proporcionar una salida que combina cada canal de entrada con el señal Bluetooth entrante respectivamente, para conectarse a otro altavoz activo o una grabación dispositivo. Esta salida no se ve afectada por los cambios en el mando LEVEL.

MONTAJE EN PARED/TECHO Opcional

(el kit de pared/techo se vende por separado)

La SERIE CVE está diseñada para ser:

7. De pie.
8. Cuando se utilizan un subwoofer y la torre juntos, estos se pueden montar verticalmente uno encima del otro a través del enchufe de montaje en poste incorporado en ambos altavoces que acepta un poste de altavoz estándar que se vende por separado.
9. Los gabinetes están diseñados para aceptar nuestro kit de montaje en pared/techo que se vende por separado.



ESPECIFICACIONES



	CVE-10*	CVE-12*	CVE-15"	CVE-18"
Potencia nominal	1000	1000	1000	1000
Clase de amplificador	D	D	D	D
Respuesta de frecuencia (+/- 3dB)	65 Hz - 18 kHz	55 Hz - 18 kHz	47 Hz - 18 kHz	35Hz-225Hz
Rango de frecuencia (+/- 10dB)	60 Hz - 20 kHz	50 Hz - 20 kHz	42 Hz - 20 kHz	30Hz-250Hz
SPL máximo	124	126	128	126
Controlador de alta frecuencia	1"	1"	1"	N / A
Controlador LF	10"	12"	15"	18"
Dispersión	90° x 60°	90° x 60°	90° x 60°	N / A
De entrada y salida	(2) Entradas combinadas XLR/TRS (1) Combinación SALIDA XLR	(2) Entradas combinadas XLR/TRS (1) Combinación SALIDA XLR	(2) Entradas combinadas XLR/TRS (1) Combinación SALIDA XLR	(2) Entradas combinadas XLR/TRS (2) Combinación SALIDA XLR
interruptores	Selección de modo EQ (5 modos) Emparejamiento/ enlace Bluetooth	Selección de modo EQ (5 modos) Emparejamiento/ enlace Bluetooth	Selección de modo EQ (5 modos) Emparejamiento/ enlace Bluetooth	Selección de modo EQ (2 modos) Emparejamiento/ enlace Bluetooth Seleccionar modo de salida
Recinto	Polímero	Polímero	Polímero	Madera contrachapada
Finalizar	Estándar	Estándar	Estándar	Pintar
Dimensiones (alto x ancho x fondo)	558 mm x 328 mm x 288 mm	619 mm x 358 mm x 320 mm	694 mm x 425 mm x 380 mm	620 mm x 533 mm x 648 mm

Peso libras.)	33 15	35 15.9	39 17.7	60 27.2
Peso (kilogramos)				

Nota : los CVE se probaron en la temperatura y altitud más altas del entorno de trabajo (45°/2000 m).

Versión de Bluetooth: 5.3

- Rango de frecuencia del transmisor Bluetooth: 2402 MHz - 2480 MHz
- Potencia del transmisor Bluetooth: <11 dBm (PIRE)

* Especificaciones y apariencia sujetas a cambios

GARANTÍA DE EE. UU . INFORMACIÓN

Cerwin-Vega, Inc ofrece una garantía de 1 año en los modelos CVE bajo las siguientes condiciones.

La garantía es válida únicamente para el comprador minorista original y no es transferible. Para ser elegible para la cobertura de la garantía, el producto debe registrarse dentro de los 15 días siguientes a la fecha que aparece en el recibo de compra.

Para obtener trabajos de reparación en garantía:

15. Póngase en contacto con el servicio de atención al cliente de Cerwin-Vega y proporcióneles el número de serie del producto y el comprobante de compra.
16. Si se determina que el producto está cubierto por la garantía de Cerwin-Vega, Inc, entonces Cerwin-Vega emitirá un número RMA autorizado.
17. El cliente debe enviar el producto al centro de servicio autorizado de Cerwin-Vega a la dirección proporcionada por el representante de servicio al cliente.
18. El cliente es responsable de todos los costos de envío a menos que se indique lo contrario.
19. Cerwin-Vega reparará o reemplazará el producto a su exclusivo criterio.
20. Si el producto se repara, se devolverá al cliente sin coste alguno.
21. Si se reemplaza el producto, el cliente será responsable de enviar el producto antiguo de regreso a Cerwin-Vega antes de que se le envíe el producto de reemplazo.

Tenga en cuenta que cualquier devolución no autorizada enviada a Cerwin-Vega, Inc será rechazada. Esto significa que primero debe comunicarse con el servicio de atención al cliente de Cerwin-Vega para buscar cualquier posible trabajo de garantía y obtener un número RMA autorizado antes de intentar enviar el producto a la dirección proporcionada por el representante de servicio al cliente de Cerwin-Vega, Inc. El envío del producto es responsabilidad del cliente.

Aquí hay algunas cosas adicionales que debe tener en cuenta al presentar un reclamo de garantía:

- Debes haber registrado tu producto dentro de los 15 días siguientes a la fecha del recibo de compra.
- El período de garantía es de un año a partir de la fecha de compra una vez registrado
- La garantía no cubre daños causados por abuso, accidente, mal uso o negligencia, modificaciones no autorizadas o reparaciones realizadas fuera de los centros de reparación autorizados de servicio al cliente.
- Debe proporcionar un comprobante de compra (copia del recibo de compra original) para realizar un reclamo de garantía.

INFORMACIÓN DE GARANTÍA INTERNACIONAL:

Cerwin-Vega no ofrece garantía de ningún tipo para productos vendidos fuera de EE. UU.

Comuníquese con el distribuidor al que compró el producto para todos los reclamos de garantía y consultas de servicio u otras consultas.

Cerwin- Vega,Inc

Servicio al cliente de EE. UU.:

Contacto: 1-213-261-4161

Correo electrónico: ra2@dat-cvm.com

CVE Angetrieben Lautsprecher Serie

Kurzanleitung _de

Verheiratung rapide

Guía de Anfang schnell

Kurzanleitung



Herzlichen Glückwunsch – Willkommen in der Cerwin-Vega-Familie! Sie sind einer wachsenden Audio-Gruppe beigetreten Profis, die sich für die fortschrittlichsten Audiowiedergabesysteme an Cerwin-Vega gewandt haben verfügbar. Alle Cerwin-Vega-Produkte werden gründlich getestet, um sicherzustellen, dass sie unsere Anforderungen erfüllen oder übertreffen Leistung Spezifikationen. Unterstützt von der beste Service der Branche, Cerwin-Vega Ist gewidmet Qualität und Zuverlässigkeit.

Vor Du Beginnen

In diesem Leitfaden wird die Cerwin-Vega CVE-Aktivlautsprecherreihe behandelt, die aus unseren Turmlautsprechern CVE-10, CVE-12, CVE-15 und auch unserem Hochleistungs-Subwoofer CVE-18S besteht.

Die CVEs sind sowohl für mobile als auch für einige feste Anwendungen konzipiert, bei denen die Lautsprecher entsprechend auf einem Stativ oder einer Stange installiert, mit der CVE-Wandhalterung geflogen oder auf einer stabilen Plattform wie einem Boden oder einer Bühne gestapelt werden.

Cerwin-Vega unterstützt die Aufhängung des in dieser Anleitung behandelten Subwoofer-Modells CVE-18S nicht und unterstützt dies auch nicht Diese Modelle sind für feste Installationen im Freien oder bei hoher Luftfeuchtigkeit vorgesehen. Feuchtigkeit kann das Gerät beschädigen Lautsprecher Kegel oder Surround und Korrosion verursachen von Elektro Kontakte Also vermeiden das bloßstellen Lautsprecher Feuchtigkeit zu leiten.

Cerwin-Vega-Lautsprecher sind in der Lage, viel akustische Energie zu erzeugen. Der Lautsprecher kann aufgrund seiner Eigenvibrationen zu Bewegungen neigen, wenn er auf einer glatten Oberfläche wie poliertem Holz oder Linoleum steht. Um sicherzustellen, dass der Redner nicht von der Bühne oder dem Tisch fällt, auf dem er steht, sollten immer Sicherheitsvorkehrungen getroffen werden, um dies zu verhindern.

Unsere CVE-Speaker enthalten A Pole Tasse Zu erlauben Montage von A Satellit Lautsprecher An Spitze von Die Subwoofer mit einem Standard-Lautsprecherstangenschaft. Stellen Sie sicher, dass Sie einen Standard-Lautsprecherstangenschaft verwenden die folgenden Vorsichtsmaßnahmen zu beachten:

- Überprüfen Die Lautsprecher Pole Welle Spezifikationen Zu Sei bestimmt Es dürfen Unterstützung Die Gewicht von Die Lautsprecher.
- Beobachten alle Sicherheit Vorsichtsmaßnahmen angegeben von Die Lautsprecher Pole Welle Hersteller.
- Stets verifizieren Das Die Subwoofer Ist platziert An A flach, Ebene, Und stabil Oberfläche.
- Route Kabel Also Das Fuß Verkehr Wille nicht Reise über ihnen, stürzen Die Lautsprecher.
- Stets Sei zurückhaltend In windig Bedingungen als Die Stabilität von Die gesamte System Mai Sei kompromittiert.

Cerwin-Vega Lautsprecher Sind leicht fähig von Erstellen Klang Druck Ebenen (SPL) von ausreichender Größe Ursache dauerhaft Hören Schaden Zu Darsteller, Produktion Besatzung Und Publikum Mitglieder. Vorsicht sollen Es ist zu beachten, dass eine längere Exposition gegenüber Schalldruckpegeln über 90 dB(A) vermieden wird.

ERKLÄRUNG VON KONFORMITÄT

FCC-Erklärung :



FCC-ID: 2BCMC-GC253367

IC: 28474-AAAPL01

Dieses Gerät wurde getestet und entspricht den Grenzwerten für ein digitales Gerät der Klasse B gemäß Teil 15 der FCC-Bestimmungen. Diese Grenzwerte sollen einen angemessenen Schutz vor schädlichen Störungen in einer Wohnanlage bieten. Dieses Gerät erzeugt Energie und kann Hochfrequenzenergie ausstrahlen. Wenn es nicht gemäß den Anweisungen installiert und verwendet wird, kann es schädliche Störungen der Funkkommunikation verursachen. Es gibt jedoch keine Garantie dafür, dass bei einer bestimmten Installation keine Störungen auftreten. Wenn dieses Gerät schädliche Störungen beim Radio- oder Fernsehempfang verursacht, was durch Aus- und Einschalten des Geräts festgestellt werden kann, wird dem Benutzer empfohlen, zu versuchen, die Störung durch eine oder mehrere der folgenden Maßnahmen zu beheben:

- Richten Sie die Empfangsantenne neu aus oder versetzen Sie sie.
- Erhöhen Sie den Abstand zwischen Gerät und Empfänger.
- Schließen Sie das Gerät an eine Steckdose an, die zu einem anderen Stromkreis gehört als dem, an den der Empfänger angeschlossen ist.
- Wenden Sie sich an den Händler oder einen erfahrenen Radio-/TV-Techniker.

Jegliche Änderungen oder Modifikationen, die nicht ausdrücklich von der für die Einhaltung verantwortlichen Partei genehmigt wurden, können zum Erlöschen der Berechtigung des Benutzers zum Betrieb des Geräts führen.

ISED-Erklärung :

Dieses Gerät enthält lizenzfreie Sender/Empfänger, die den lizenzfreien RSS(s) von Innovation, Science and Economic Development Canada entsprechen. Der Betrieb unterliegt den folgenden zwei Bedingungen:

- (1) Dieses Gerät darf keine Störungen verursachen.
- (2) Dieses Gerät muss jegliche Störungen akzeptieren, einschließlich Störungen, die einen unerwünschten Betrieb des Geräts verursachen können.

Der Autor / Empfänger ist von der Lizenz befreiter Inhalte in der Gegenwart Bekleidung Europäische Sommerzeit konform mit CNR für Innovation , Wissenschaft und Entwicklung Ökonomische Kanada -Anwendbarkeit für Radio- Bekleidung , Befreiung von der Lizenz . Ausbeutung Europäische Sommerzeit Autorisierte Aux- Deux -Bedingungen :

- 1) L'appareil ne doit pas produire de brouillage ;
- 2) L'appareil doit take tout brouillage radioelektrisch subi , meme si le brouillage est anfällig für d'en Kompromisse bei der Funktion eingehen .

Dieser Sender darf nicht zusammen mit einer anderen Antenne oder einem anderen Sender aufgestellt oder betrieben werden. Dieses Gerät sollte mit einem Mindestabstand von 20 Zentimetern zwischen dem Strahler und Ihrem Körper installiert und betrieben werden.

Cet émetteur ne doit pas être Co- placé Du hast keine Funktion de Même temps qu'aucune autre Antenne du émetteur . Cet Ausrüstung devrait être Installieren und verfahren Sie mit einem Abstand von mindestens 20 Zentimetern zwischen dem Heizkörper und Ihrem Körper.



Warnung : Das Gerät mit KLASSE-I-Konstruktion muss an eine NETZ-Steckdose mit Schutzerdungsanschluss angeschlossen werden.

In Dänemark: „Apparate stikprop skal Tilsluttes de stikkontakt med jord , som geber forbindelse bis stikproppens jord .“

In Finnland: „Laitte on liitettävä. “suojakoskettimilla varustettuun pistorasiaan ”

In Norwegen: „Apparat må Tilkoples Jordet stikkontakt ”

In Schweden: „ Apparatens skall Antvortas bis zum Jordan uttag ”

Steckbare Geräte der Klasse I vom Typ A, die für den Anschluss an andere Geräte oder ein Netzwerk vorgesehen sind, müssen, wenn die Sicherheit auf dem Anschluss an eine zuverlässige Erdung beruht oder wenn Überspannungsschutzgeräte zwischen den Netzwerkanschlüssen und zugänglichen Teilen angeschlossen sind, mit einer Kennzeichnung versehen sein, die angibt, dass das Gerät angeschlossen werden muss eine geerdete Netzsteckdose.

WICHTIG SICHERHEIT INFORMATION

SICHERHEIT ANWEISUNGEN

64. Anleitung lesen – Alle Sicherheits- und Bedienungshinweise Die Bedienungsanleitung muss gelesen werden, bevor das Produkt in Betrieb genommen wird.

65. Bewahren Sie die Anweisungen auf. - Die Sicherheits- und Bedienungsanleitungen sollten zum späteren Nachschlagen aufbewahrt werden.

66. Warnhinweise beachten – Alle Warnhinweise auf dem Produkt und in der Die Bedienungsanleitung ist zu beachten.

67. Folgen Anweisungen - Alle Betriebs Und verwenden Anweisungen sollen Sei gefolgt.

68. Reinigung : Trennen Sie dieses Produkt vorher von der Steckdose Reinigung. Verwenden Sie keine Flüssigreiner oder Aerosolreiner. Benutze einen feuchtes Tuch zum Reinigen.

69. Anhänge - Tun nicht verwenden Anhänge nicht empfohlen von Wenden Sie sich bitte an den Produkthersteller, da diese Gefahren hervorrufen können.

70. Wasser Und Feuchtigkeit – Do nicht benutze das Produkt in der Nähe von Wasser-für B. in der Nähe einer Badewanne, eines Waschbeckens, eines Spülbeckens oder einer Wäscherei Wanne; in einem nassen Keller; oder in der Nähe eines Schwimmbades; und dergleichen.

71. Zubehör – Stellen Sie dieses Produkt nicht auf einen instabilen Wagen, Ständer, Stativ, Halterung oder Tisch. Das Produkt könnte herunterfallen und Schäden verursachen schwere Verletzungen eines Kindes oder Erwachsenen und schwere Schäden am Produkt. Nur mit einem Wagen, Ständer, Stativ, einer Halterung oder einem Tisch verwenden vom Hersteller empfohlen oder mit dem Produkt verkauft. Bei der Montage des Produkts sollten die Anweisungen des Herstellers befolgt werden Beachten Sie die Anweisungen und verwenden Sie ein Montagezubehör vom Hersteller empfohlen.

72. Warenkorb – Eine Kombination aus Produkt und Warenkorb sollte verschoben werden mit Pflege. Schnell stoppt, übertrieben Gewalt, Und ungleichmäßig Oberflächen kann dazu führen, dass die Kombination aus Produkt und Wagen umkippt.

73. Belüftung - Schlüssel und Öffnungen In Die Kabinett Sind bereitgestellt für Belüftung Zu sicherstellen zuverlässig Betrieb von Die Produkt Und Zu schützen Es aus Überhitzung. Diese Öffnungen muss nicht Sei verstopft oder bedeckt. Der Öffnungen sollen niemals Sei verstopft von Platzierung Die Produkt An A Bett, Sofa, Teppich oder ein anderer ähnlich Oberfläche. Das Produkt sollen nicht Sei platziert In A eingebaut Installation solch Als ein Bücherregal oder Gestell es sei denn, es ist richtig Belüftung Ist bereitgestellt oder Die Hersteller Anweisungen haben gewesen eingehalten Zu.

74. Stromquellen - Dieses Produkt sollte nur von betrieben werden die auf dem Kennzeichnungsschild angegebene Art der Stromquelle und an eine Netzsteckdose mit Schutzerdung angeschlossen werden Verbindung. Wenn Sie sich über die Art der Stromversorgung nicht sicher sind dein heim, konsultieren dein Produkt Händler oder lokal Leistung Unternehmen.

75. Netzkabelschutz – Netzkabel sollten geschützt sein geroutet So dass sie sind unwahrscheinlich Zu Sei ging An oder eingeklemmt von Artikel platziert auf oder gegen ihnen, darauf achten Schnüre bei Stecker, Steckdosen und die Stelle, an der sie austreten vom Produkt.

76. Netz Stecker - Wo Die Netz Stecker oder ein Gerät Koppler Ist gebraucht Als Die trennen Gerät, Die trennen Gerät soll bleiben leicht bedienbar.

77. Blitzschlag – Für zusätzlichen Schutz dieses Produkts während eines Blitz Sturm, oder Wann Es Ist links unbeaufsichtigt Und ungebraucht für lang Perioden von Zeit, ausstecken Es aus Die Wand Auslauf Und trennen Die Antenne oder Kabel System. Das Wille verhindern Schaden Zu Die Produkt aufgrund von Blitzen und Überspannungen in der Stromleitung.

78. Überladung - Tun nicht Überlast Wand Verkaufsstellen, Verlängerung Schnüre, oder Integral Bequemlichkeit Behälter wie das kann ergeben ein Risiko von Es besteht Brand- oder Stromschlaggefahr.

79. Flammenquellen – Keine offenen Flammenquellen, wie etwa beleuchtete Kerzen, sollten auf das Produkt gestellt werden.

80. Objekt Und Flüssig Eintrag - Niemals drücken Objekte von beliebig Art hinein Führen Sie dieses Produkt nicht durch Öffnungen, da es gefährlich sein kann, es zu berühren Spannungsspitzen oder Kurzschlüsse von Teilen, die zu einem Brand führen könnten elektrischer Schock. Verschütten Sie niemals Flüssigkeiten jeglicher Art auf dem Produkt.

81. Lautsprecher - Übermäßig Klang Druck aus Lautsprecher kann zu Hörverlust führen.

82. Schäden, die eine Wartung erfordern – Trennen Sie dieses Produkt vom Stromnetz Netzsteckdose und überlassen Sie die Wartung qualifiziertem Servicepersonal unter folgenden Bedingungen:

a. Wann Die Stromversorgung Kabel oder Stecker Ist beschädigt.

b. Wenn Flüssigkeit verschüttet wurde oder Gegenstände hineingefallen sind Produkt.

c. Wenn Die Produkt hat gewesen ausgesetzt Zu Regen oder Wasser.

d. Wenn Die Produkt hat gewesen fallen gelassen oder beschädigt In beliebig Weg.

e. Wenn das Produkt eine deutliche Leistungsänderung aufweist- Dies weist auf einen Wartungsbedarf hin.

f. Wenn das Produkt nicht normal funktioniert, folgen Sie den Anweisungen Bedienungsanleitung. Passen Sie nur die Steuerelemente an, die vorhanden sind bedeckt von Die Betriebs Anweisungen als ein unpassend Einstellung Die Verwendung anderer Bedienelemente kann zu Schäden führen und erfordert häufig einen Eingriff Umfangreiche Arbeiten durch einen qualifizierten Techniker zur Wiederherstellung des Produkts zu seinem normalen Betrieb.

83. Ersatzteile – Wenn es sich um Ersatzteile handelt erforderlich, Stellen Sie sicher, dass der Servicetechniker Ersatzteile verwendet hat vom Hersteller spezifiziert sind oder die gleichen Eigenschaften aufweisen als Die Original Teil. Nicht autorisiert Substitutionen Mai Ergebnis In Feuer, Es kann zu Stromschlägen oder anderen Gefahren kommen.

84. Sicherheitsüberprüfung – Nach Abschluss jeglicher Service- oder Reparaturarbeiten an Das Produkt, fragen Die Service Techniker Zu ausführen Sicherheit Checks

Zu bestimmen Das Die Produkt Ist In richtig Betriebs Zustand. Der Einsatz von Geräten in tropischen und/oder gemäßigten Klimazonen .

WARNUNG

Der Blitz mit Pfeilspitze Symbol, innerhalb ein gleichseitig Dreieck, soll den Benutzer auf das Vorhandensein von aufmerksam machen nicht isoliert "gefährlich Stromspannung" innerhalb Die Produkte Gehege Das Mai Sei von ausreichend Größe Zu bilden A Risiko von elektrisch Schock für Personen

Das Ausrufezeichen innerhalb eines gleichseitigen Dreiecks ist beabsichtigt um den Benutzer auf das Vorhandensein wichtiger Betriebs- und Sicherheitshinweise aufmerksam zu machen Wartungsanweisungen in der Literatur die dem Gerät beiliegt.



DER AUSRÜSTUNG MUSS SEI IN VERBINDUNG GEBRACHT ZU EIN GEERDET NETZSTECKDOSE.

VORSICHT HINSICHTLICH PLATZIERUNG

Um eine ausreichende Belüftung zu gewährleisten, lassen Sie unbedingt einen Freiraum das Gerät (von den größten Außenmaßen inklusive Überständen) als gleich oder größer als unten gezeigt ist.

Spitze, Unten, Vorderseite, Hinteren, Links, Rechts Seiten: 10 cm

VORSICHT – Änderungen oder Modifikationen an diesem Gerät sind nicht zulässig die von Cerwin-Vega ausdrücklich zur Einhaltung genehmigt wurden, können ungültig werden die Berechtigung des Benutzers, dieses Gerät zu bedienen.

VORSICHT – Um Stromschläge zu vermeiden, achten Sie darauf, dass der Stecker breit ist zum breiten Schlitz, vollständig einführen.

ACHTUNG – Kennzeichnungs- und Typenschild finden Sie auf der Rückseite Bedienfeld des Geräts.

WARNUNG – Um das Risiko von Bränden oder Stromschlägen zu verringern, sollten Sie dies nicht tun Setzen Sie dieses Gerät weder Regen noch Feuchtigkeit aus.

Der Gerät soll nicht Sei ausgesetzt zum Tropfen oder Spritzen Und dass keine mit Flüssigkeiten gefüllten Gegenstände wie Vasen abgestellt werden dürfen An Gerät.

Der Netzstecker dient als Trennvorrichtung und sollte auch so bleiben bei bestimmungsgemäßem Gebrauch problemlos bedienbar. Um die Verbindung zu trennen Gerät von dem Netz vollständig, Die Netz Stecker sollte Sei vollständig von der Netzsteckdose getrennt werden.

VORSICHT – Ein Gerät mit ein Schutz Erde Terminal sollte an eine Netzsteckdose mit Schutzerde angeschlossen werden Verbindung.

WENN IN ZWEIFELN KONSULTIEREN A KOMPETENT ELEKTRIKER. HINWEISE ZUM UMWELTSCHUTZ

Bei Die Ende von es ist nützlich Leben, Das Produkt muss nicht Sei entsorgt von mit dem normalen Hausmüll, sondern muss an eine zurückgegeben werden Sammelstelle für das Recycling von Elektro- und Elektronikgeräten Ausrüstung. Das Symbol auf dem Produkt, der Bedienungsanleitung und Verpackung weist darauf hin.

Die Materialien können entsprechend ihrer Kennzeichnung wiederverwendet werden. Durch Wiederverwendung, Recycling von Rohstoffen oder andere Formen von Mit dem Recycling alter Produkte leisten Sie einen wichtigen Beitrag Beitrag zum Schutz unserer Umwelt.

Dein lokal administrativ Büro dürfen beraten Du von Die verantwortlich Entsorgungsstelle.



Hinweis: CVE-CE-Konformitätsbescheinigung per E-Mail verfügbar: ra2@dat-cvm.com

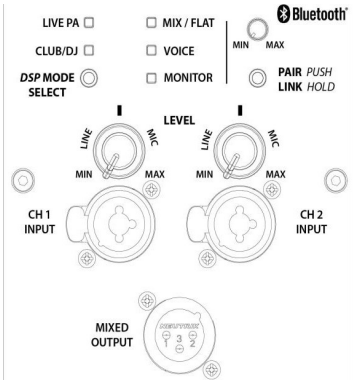
Schnell Einrichten _

Die folgenden Schritte bieten eine kurze Anleitung zum Einrichten und Verwenden eines einzelnen Lautsprechers. Ein typisches Das Setup folgt den gleichen grundlegenden Schritten.

SCHRITT 1	<ul style="list-style-type: none">✓ Machen Sicher Die Lautsprecher Ist nicht angeschlossen.✓ Sei Sicher Die Leistung schalten Ist Satz Zu Die AUS Position.✓ Drehen Die EBENE Knopf Zu Die am niedrigsten Ebene (völlig gegen den Uhrzeigersinn).
SCHRITT 2	<ul style="list-style-type: none">✓ Ort Die Lautsprecher In Die Ideal Standort.✓ Verbinden Sie den OUTPUT des Quell-Audiogeräts mit dem Lautsprecher-INPUT. Sei Stellen Sie sicher, dass das Quellgerät eingeschaltet und auf einen normalen Ausgangspegel eingestellt ist.
SCHRITT 3	<ul style="list-style-type: none">✓ Verbinden Die Leistung Kabel Zu Die Lautsprecher Wechselstrom Leistung Auslauf.✓ Satz Die LEISTUNG wechseln zu die EIN-Position und überprüfen Sie das Die DSP-MODUS-LED Die Anzeige leuchtet.✓ Langsam drehen Die EBENE Knopf im Uhrzeigersinn bis Die Klang Ausgabe Ist bei Die gewünscht Ebene. Wenn kein Ton zu hören ist, überprüfen Sie, ob das Quellgerät vorhanden ist Bereitstellung einer Audioausgabe .
NOTIZ	<p>Wann Du Sind Erledigt verwenden Die Lautsprecher, Satz Die LEISTUNG schalten Zu AUS VOR entfernen beliebig Kabel Und drehen aus Die Quelle Audio- Ausrüstung.</p>

Lautsprecher Platzierung

- Niemals Punkt A Mikrofon direkt bei A Lautsprecher, als Das Wille Ergebnis In extrem Rückmeldung (unerwünschtes Geräusch). Stellen Sie sicher, dass der Lautsprecher von der Vorderseite entfernt platziert ist Mikrofon oder direkt hinter dem Mikrofon, wenn Sie sich in einer Bodenmonitorposition befinden.
- Wann gebraucht mit Plattenspieler, sorgfältig Ort Die Lautsprecher Also Das beliebig Vibrationen Tun nicht die Leistung und Funktionalität des Plattenspielers beeinträchtigen.
- Vermeiden Sie es, den Lautsprecher in den Ecken oder an den Wänden eines Raumes aufzustellen. Dieser Wille Erhöhen Sie den Niederfrequenzanteil des Audiomaterials und führen Sie möglicherweise zu einem verschwommenen und trüben Klang inkohärente Tonwiedergabe.
- Vermeiden Platzierung der Lautsprecher direkt auf einer hohlen Bühne. Es ist besser zu Platzieren Sie die Lautsprecher auf Stativen oder einem stabilen Tisch.
- Der Lautsprecher sollte zwei bis vier Fuß über der Ohrhöhe des Publikums platziert werden da der menschliche Körper Schall insbesondere bei hohen Frequenzen absorbieren kann. Das wird machen Stellen Sie sicher, dass das gesamte Publikum das Soundsystem mit der bestmöglichen Klarheit hören kann.



Modus ist A Großartig beginnend Punkt für mischen live Veranstaltungen.

CVE-10/12/15 Hinteren Panel

(P) DSP MODUS WÄHLEN

Diese Modusauswahl Taste ermöglicht Ihnen das Umschalten zwischen unser 5 EQ Voreinstellungen. Hören Zu jede davon und bestimmen Sie, was ist am besten für dich.

LIVE PA - Am besten gebraucht für live Musik Beschallung, es gleicht aus Und erweicht Frequenzen Das dürfen dominieren und Feedback in einem Leben mischen.

CLUB/DJ – Dieser Modus fügt hinzu Auflösung nach oben und unten Frequenzen wird es hauptsächlich verwendet zur Wiedergabe von EDM/Pop/Hip Hopfen/ usw. Musik.

MIX/FLAT – Eine ausgewogene Mischung Gesamtlautsprecherantwort mit Tiefer Low -End Verlängerung. Das

STIMME – Dieser Modus verbessert die Stimmklarheit und eignet sich am besten, wenn eine gemeinsame Dynamik verwendet wird. Mikrofon direkt an einen der CH-Eingänge angeschlossen.

MONITOR – Verwenden Sie diesen Modus, wenn Sie das System als Bühnenmonitor mit Mikrofon verwenden. Balancieren und mildern Sie Frequenzen, die in einem Monitormix zu Rückkopplungen neigen.

(Q) BLUETOOTH

Wir haben inbegriffen WAHR Kabellos Stereo (TWS) Bluetooth Konnektivität In Die CVE. Zu PAAR mit eins Gerät drücken Sie einmal die Pair-Taste. Das blaue Licht beginnt zu blinken und Ihr Gerät erscheint in Ihrem Liste der Bluetooth-Geräte. Um zwei Geräte in Stereo miteinander zu VERKNÜPFEN, halten Sie das erste Gerät gedrückt, bis es einrastet beginnt orange blinkend. Dann drücken Und halten Die andere Einheiten Taste bis Es blinkt orange. Nach 10 Sekunden Die Einheiten Wille Miteinander verbinden hinein A Stereo Paar. Einmal gepaart Du dürfen Umschalten zwischen Stereo & MONO, indem Sie während der Audiowiedergabe zweimal auf die Pairing-Taste tippen.

Hinweis: Während der Audiowiedergabe können Sie keine Geräte koppeln, entkoppeln oder verknüpfen. Siehe Handbuch und Anwendung Weitere Informationen finden Sie im Leitfaden.

(R) EINGANG 1 & EINGANG 2

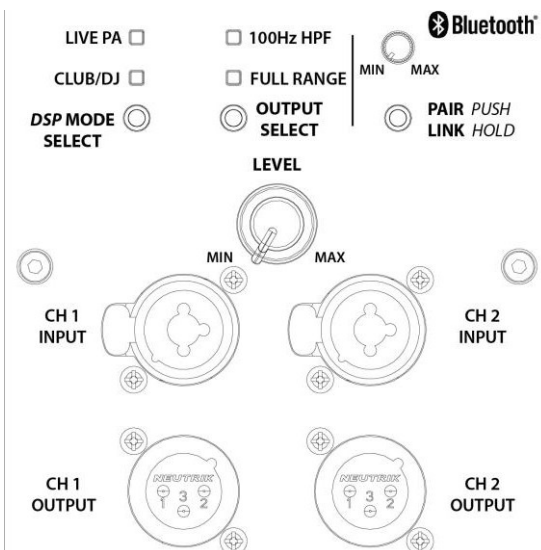
Diese Sind Ausgewogen Combo Eingaben erlauben für ausgewogen XLR/TRS Kabel Zu Sei eingefügt als LINIE & MIC Ebenen.

(S) EBENE KNÖPFE

Kanal 1 & 2 EBENE Knöpfe anpassen Die gewinnen Ebene An Die jeweiligen Eingang Signal. Der EBENE Ist entworfen kann sowohl für einen LINE-Pegel-Eingang als auch für einen MIC-Pegel-Eingang verwendet werden. Vollständige Position gegen den Uhrzeigersinn (MIN) Gerade nach oben (in die Rastung) ist die Einstellung für LINE-Pegel. Wohingegen von direkt bis voll Durch Drehen im Uhrzeigersinn (MAX) wird der MIC-Pegel angepasst. Der Bluetooth-Pegelknopf ist dafür vorgesehen Sie können den Pegel der Bluetooth-Signale je nach Bedarf an Ihre anderen Eingänge anpassen.

(T) MISCHEN AUSGABE

Diese Verbindung soll einen Ausgang bieten, der alle Kanäle einschließlich Bluetooth vereint zusammen, um einen anderen Aktivlautsprecher oder ein Aufnahmegerät anzuschließen. Diese Ausgabe ist betroffen durch Änderungen am LEVEL-Regler jedes Kanals.



CVE-18 Hinteren Panel

(A) DSP MODUS WÄHLEN

Diese Modusauswahl Taste erlaubt Du Zu Umschalten zwischen unser 2 EQ-Voreinstellungen. Hören Sie sich jeden an diese Und bestimmen Was Ist am besten für Du.

LIVE PA - Am besten gebraucht für live Musik Beschallung, es hat eine ausgewogener, tiefere Bässe Antwort.

CLUB/DJ – Dieser Modus fügt hinzu Definition und Punch zum Sub Frequenzen wird es hauptsächlich verwendet zur Wiedergabe von EDM/Pop/Hip Hopfen/ usw. Musik.

**(B) AUSGABEMODUS
 AUSWÄHLEN _**

Diese Modusauswahlta-
ste ermöglicht das Umschalten
zwischen einem 100-Hz-
Hochpassfilter an den Ausgängen;
Bereitstellung eines Übergangs
nach oben Boxen oder verlassen
Sie den vollen Bereich der
Ausgangsbuchse.

(C) BLUETOOTH

Wir haben inbegriffen WAHR Kabellos Stereo (TWS) Bluetooth Konnektivität In Die CVE. Zu PAAR mit
eins Gerät drücken Sie einmal die Pair-Taste. Das blaue Licht beginnt zu blinken und Ihr Gerät
erscheint in Ihrem Liste der Bluetooth-Geräte. Um zwei Geräte in Stereo miteinander zu
VERKNÜPFEN, halten Sie das erste Gerät gedrückt, bis es einrastet beginnt orange blinkend. Dann
drücken Und halten Die andere Einheiten Taste bis Es blinkt orange. Nach 10 Sekunden Die Einheiten
Wille VERKNÜPFUNG zusammen hinein A Stereo Paar. Einmal gepaart Du dürfen Umschalten
zwischen STEREO & MONO, indem Sie während der Audiowiedergabe zweimal auf die Pairing-Taste
tippen.

**Hinweis: Während der Audiowiedergabe können Sie keine Geräte koppeln, entkoppeln oder
verknüpfen.**

(D) EINGANG 1 & EINGANG 2

Diese Sind Ausgewogen Combo Eingaben erlauben für ausgewogen XLR/TRS-LINIE Ebenen.

(E) EBENE KNOFF

Mit LEVEL wird der Ausgangspegel der Subwoofer für alle Kanäle gleichermaßen eingestellt. Der
Bluetooth-Level Knopf Ist bereitgestellt Also Das Du dürfen anpassen Die Ebene von Die Bluetooth
Signale Zu übereinstimmen dein andere Eingänge als erforderlich.

(F) AUSGÄNGE 1 & 2

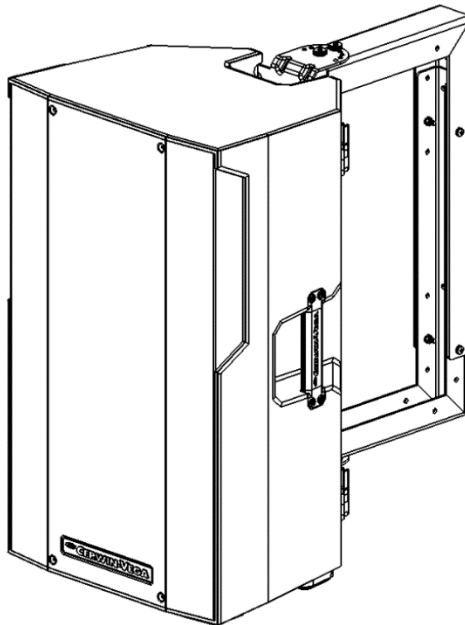
Diese Verbindung soll einen Ausgang bereitstellen, der jeden Eingangskanal mit dem kombiniert
eingehendes Bluetooth-Signal zur Verbindung mit einem anderen Aktivlautsprecher oder einer
Aufnahme Gerät. Dieser Ausgang wird durch Änderungen am LEVEL-Regler nicht beeinflusst.

Optionale WAND-/DECKENMONTAGE

(Wand-/Deckenset ist separat erhältlich)

Die CVE-SERIE ist wie folgt konzipiert:

10. Bodenständig.
11. Wenn ein Subwoofer und der Turm zusammen verwendet werden, können diese über die integrierte Stangenmontagebuchse in beiden Lautsprechern, die eine separat erhältliche Standard-Lautsprecherstange aufnimmt, vertikal übereinander montiert werden.
12. Die Schränke sind so konstruiert, dass sie unser separat erhältliches Wand-/Deckenmontageset aufnehmen können.



SPEZIFIKATIONEN



	CVE-10*	CVE-12*	CVE-15"	CVE-18"
Nennleistung	1000	1000	1000	1000
Verstärkerklasse	D	D	D	D
Frequenzgang (+/- 3 dB)	65Hz - 18kHz	55Hz - 18kHz	47Hz - 18kHz	35Hz - 225Hz
Frequenzbereich (+/- 10dB)	60Hz - 20kHz	50Hz - 20kHz	42Hz - 20kHz	30Hz - 250Hz
Maximaler Schalldruck	124	126	128	126
HF-Treiber	1"	1"	1"	N / A
LF-Treiber	10"	12"	15"	18"
Streuung	90° x 60°	90° x 60°	90° x 60°	N / A
Input-Output	(2) Kombi-XLR/TRS-Eingänge (1) Kombination XLR-AUSGANG	(2) Kombi-XLR/TRS-Eingänge (1) Kombination XLR-AUSGANG	(2) Kombi-XLR/TRS-Eingänge (1) Kombination XLR-AUSGANG	(2) Kombi-XLR/TRS-Eingänge (2) Kombi XLR-AUSGANG
Schalter	EQ-Modusauswahl (5 Modi) Bluetooth-Kopplung/-Verbindung	EQ-Modusauswahl (5 Modi) Bluetooth-Kopplung/-Verbindung	EQ-Modusauswahl (5 Modi) Bluetooth-Kopplung/-Verbindung	EQ-Modusauswahl (2 Modi) Bluetooth-Kopplung/-Verbindung Auswahl des Ausgabemodus
Gehege	Polymer	Polymer	Polymer	Sperrholz
Beenden	Standard	Standard	Standard	Malen
Maße (hxbxt)	558 mm x 328 mm x 288 mm	619 mm x 358 mm x 320 mm	694mm x 425mm x 380mm	620 mm x 533 mm x 648 mm
Gewicht (Pfund)	33	35	39	60
Gewicht (kg)	15	15.9	17.7	27.2

Hinweis : Die CVEs wurden bei der höchsten Arbeitsumgebungstemperatur und -höhe (45°/2000 m) getestet.

Bluetooth-Version: 5.3

- Frequenzbereich des Bluetooth-Senders: 2402 MHz – 2480 MHz
- Bluetooth-Sendeleistung: <11 dBm (EIRP)

* Änderungen der Spezifikationen und des Aussehens vorbehalten

USA- GARANTIE INFORMATION

Cerwin-Vega, Inc bietet unter den folgenden Bedingungen eine 1-jährige Garantie auf die CVE-Modelle.

Die Garantie gilt nur für den ursprünglichen Einzelhandelskäufer und ist nicht übertragbar. Um Anspruch auf Garantieleistungen zu haben, muss das Produkt innerhalb von 15 Tagen ab dem auf dem Kaufbeleg angegebenen Datum registriert werden.

So erhalten Sie Garantiereparaturarbeiten:

22. Kontaktieren Sie den Cerwin-Vega-Kundendienst und übermitteln Sie ihm die Seriennummer des Produkts und den Kaufbeleg.
23. Wenn festgestellt wird, dass das Produkt von der Garantie von Cerwin-Vega, Inc. abgedeckt wird, stellt Cerwin-Vega eine autorisierte RMA-Nummer aus.
24. Der Kunde muss das Produkt an das autorisierte Cerwin-Vega-Servicecenter an die vom Kundendienstmitarbeiter angegebene Adresse senden.
25. Der Kunde ist für alle Versandkosten verantwortlich, sofern nicht anders angegeben.
26. Cerwin-Vega repariert oder ersetzt das Produkt nach eigenem Ermessen.
27. Im Falle einer Reparatur wird das Produkt kostenfrei an den Kunden zurückgesendet.
28. Wenn das Produkt ersetzt wird, ist der Kunde dafür verantwortlich, das alte Produkt an Cerwin-Vega zurückzusenden, bevor das Ersatzprodukt an den Kunden gesendet wird.

Bitte beachten Sie, dass alle nicht autorisierten Rücksendungen an Cerwin-Vega, Inc. abgelehnt werden. Das bedeutet, dass Sie sich zunächst an den Kundendienst von Cerwin-Vega wenden müssen, um eventuelle Garantiewerke zu beantragen und eine autorisierte RMA-Nummer zu erhalten, bevor Sie versuchen, das Produkt an die vom Kundendienstmitarbeiter von Cerwin-Vega, Inc. angegebene Adresse zu senden. Der Versand des Produkts liegt in der Verantwortung des Kunden.

Hier sind einige zusätzliche Dinge, die Sie bei der Geltendmachung eines Garantieanspruchs beachten sollten:

- Sie müssen Ihr Produkt innerhalb von 15 Tagen nach dem Kaufbelegdatum registriert haben.
- Die Garantiezeit beträgt nach der Registrierung ein Jahr ab Kaufdatum
- Die Garantie deckt keine Schäden ab, die durch Missbrauch, Unfall, Missbrauch oder Nachlässigkeit, unbefugte Änderungen oder Reparaturen außerhalb der autorisierten Kundendienst-Reparaturzentren verursacht wurden.
- Um einen Garantieanspruch geltend zu machen, müssen Sie einen Kaufbeleg (Kopie des Originalkaufbelegs) vorlegen.

INTERNATIONALE GARANTIEINFORMATIONEN:

Cerwin-Vega bietet keinerlei Garantie für Produkte, die außerhalb der USA verkauft werden.

Bitte wenden Sie sich für alle Garantieansprüche, Serviceleistungen oder sonstige Anfragen an Ihren Händler, bei dem Sie das Produkt gekauft haben.

Cerwin- Vega, Inc

USA-Kundendienst:

Kontakt: 1-213-261-4161

E-Mail: ra2@dat-cvm.com

加入繁体中文说明书，需包含出货配件清单，产品名称，型号，商标，电气规格， I/O port说明，操作温度，ROHS表格&声明，报验义务人（申请者或进口商等）公司名及地址， NCC相关警告语

ROHS表格&声明由环保的洗黎黎提供。

NCC警告如下：

【a, 取得審驗證明之低功率射頻器材，非經核准，公司、商號或使用者均不得擅自變更頻率、加大功率或變更原設計之特性及功能。

低功率射頻器材之使用不得影響飛航安全及干擾合法通信；經發現有干擾現象時，應立即停用，並改善至無干擾時方得繼續使用。

前述合法通信，指依電信管理法規定作業之無線電通信。低功率射頻器材須忍受合法通信或工業、科學及醫療用電波輻射性電機設備之干擾。