



**Shenzhen GUOREN Certification Technology Service Co., Ltd.**

101#, Building K & Building T, The Second Industrial Zone, Jiazitang Community, Fenghuang Street, Guangming District, Shenzhen, China

**FCC PART 15 SUBPART C TEST REPORT**

**FCC PART 15.231**

**Report Reference No.....: GRCTR230702038-02**

**FCC ID..... : 2BCJK-QRA**

Compiled by  
( position+printed name+signature)..: Testing Engineer Jimmy Wang

Supervised by  
( position+printed name+signature)..: Project Engineer Kelley Zhang

Approved by  
( position+printed name+signature)..: Manager Sam Wang

Date of issue.....: Aug. 29, 2023

**Testing Laboratory Name.....: Shenzhen GUOREN Certification Technology Service Co., Ltd.**

Address.....: 101#, Building K & Building T, The Second Industrial Zone, Jiazitang Community, Fenghuang Street, Guangming District, Shenzhen, China

**Applicant's name.....: Shaoguan Innovate Technology Equipment Co., Ltd**

Address.....: Floor 3 of Integration Building, Section A Industrial Transfer Park, Zhenjiang District, Shaoguan City, Guangdong, China

**Test specification.....:**

Standard.....: **FCC Part 15.231**

**Shenzhen GUOREN Certification Technology Service Co., Ltd. All rights reserved.**

This publication may be reproduced in whole or in part for non-commercial purposes as long as the Shenzhen GUOREN Certification Technology Service Co., Ltd. is acknowledged as copyright owner and source of the material. Shenzhen GUOREN Certification Technology Service Co., Ltd. takes no responsibility for and will not assume liability for damages resulting from the reader's interpretation of the reproduced material due to its placement and context.

**Test item description.....: Intelligent door lock**

Trade Mark.....: /

Manufacturer.....: Shaoguan Innovate Technology Equipment Co., Ltd

Model/Type reference.....: QRA05

Listed Models .....: QRP05, QRB05, QRN05, QRM05, QRA04, QRP04, QRB04, QRN04, QRM04, QRA07, QRP07, QRB07, QRN07, QRM07, QRA08, QRP08, QRB08, QRN08, QRM08, QRA18E, QRP18E, QRB18E, QRN18E, QRM18E

Ratings.....: Battery AAA 1.5V\*4

Modulation .....: ASK

Frequency.....: 433.9050MHz

Result.....: **PASS**

## TEST REPORT

Equipment under Test : Intelligent door lock

Model /Type : QRA05

Listed Models : QRP05,QRB05,QRN05,QRM05,QRA04,QRP04,QRB04,QRN04,QR  
RM04,QRA07,QRP07,QRB07,QRN07,QRM07,QRA08,QRP08,QR  
B08,QRN08,QRM08,QRA18E,QRP18E,QRB18E,QRN18E,QRM1  
8E

**Applicant** : **Shaoguan Innovate Technology Equipment Co., Ltd**

Address : Floor 3 of Integration Building, Section A Industrial Transfer Park,  
Zhenjiang District, Shaoguan City, Guangdong, China

**Manufacturer** : **Shaoguan Innovate Technology Equipment Co., Ltd**

Address : Floor 3 of Integration Building, Section A Industrial Transfer Park,  
Zhenjiang District, Shaoguan City, Guangdong, China

<b>Test Result:</b>	<b>PASS</b>
---------------------	-------------

The test report merely corresponds to the test sample.  
It is not permitted to copy extracts of these test result without the written permission of the test laboratory.

## Contents

<b>1 TEST STANDARDS .....</b>	<b>4</b>
<b>2 SUMMARY .....</b>	<b>5</b>
2.1 General Remarks .....	5
2.2 Product Description .....	5
2.3 Equipment Under Test .....	5
2.4 Short description of the Equipment under Test (EUT) .....	5
2.5 Block Diagram of Test Setup .....	5
2.6 Special Accessories .....	6
2.7 Related Submittal(s) / Grant (s) .....	6
2.8 Modifications .....	6
<b>3 TEST ENVIRONMENT .....</b>	<b>7</b>
3.1 Address of the test laboratory .....	7
3.2 Test Facility .....	7
3.3 Environmental conditions .....	7
3.4 Summary of measurement results .....	8
3.5 Statement of the measurement uncertainty .....	8
3.6 Equipments Used during the Test .....	9
<b>4 TEST CONDITIONS AND RESULTS .....</b>	<b>10</b>
4.1 AC Power Conducted Emission .....	10
4.2 Radiated Emission .....	11
4.3 20dB Bandwidth .....	14
4.4 Deactivation Time .....	15
4.5 Antenna Requirement .....	16
<b>5 TEST SETUP PHOTOS OF THE EUT .....</b>	<b>17</b>
<b>6 PHOTOS OF THE EUT .....</b>	<b>17</b>

## 1 TEST STANDARDS

The tests were performed according to following standards:

[FCC Rules Part 15.231](#): Periodic operation in the band 40.66-40.70 MHz and above 70 MHz.  
[ANSI C63.10:2013](#) : American National Standard for Testing Unlicensed Wireless Devices

## 2 SUMMARY

### 2.1 General Remarks

Date of receipt of test sample	:	Jul. 25, 2023
Testing commenced on	:	Jul. 25, 2023
Testing concluded on	:	Aug. 29, 2023

### 2.2 Product Description

Product Name:	Intelligent door lock
Model/Type reference:	QRA05
Listed Models:	QRP05,QRB05,QRN05,QRM05,QRA04,QRP04,QRB04,QRN04,QRM04,QRA07,QRP07,QRB07,QRN07,QRM07,QRA08,QRP08,QRB08,QRN08,QRM08,QA18E,QRP18E,QRB18E,QRN18E,QRM18E(The products are identical in interior structure, electrical circuits and components, just model names and color are different.)
Testing sample ID:	GRCTR230702038-1# (Engineer sample), GRCTR230702038-2#(Normal sample)
Firmware Version:	V1.0
Hardware Version:	V1.0
Modulation:	ASK
Operation frequency:	433.9050MHz
Channel number:	1
Antenna type:	PCB antenna
Antenna gain:	0.5 dBi

### 2.3 Equipment Under Test

#### Power supply system utilised

Power supply voltage	:	<input type="radio"/> 230V / 50 Hz	<input type="radio"/> 120V / 60Hz
		<input type="radio"/> 12 V DC	<input type="radio"/> 24 V DC
		<input checked="" type="radio"/> Other (specified in blank below)	

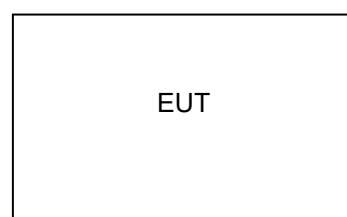
Battery AAA 1.5V\*4

### 2.4 Short description of the Equipment under Test (EUT)

This is a Intelligent door lock.

For more details, refer to the user's manual of the EUT.

### 2.5 Block Diagram of Test Setup



## 2.6 Special Accessories

Follow auxiliary equipment(s) test with EUT that provided by the manufacturer or laboratory is listed as follow:

Description	Manufacturer	Model	Technical Parameters	Certificate	Provided by
/	/	/	/	/	/
/	/	/	/	/	/

## 2.7 Related Submittal(s) / Grant (s)

This submittal(s) (test report) is intended for the device filing to comply with Section 15.231 of the FCC Part 15, Subpart C Rules.

## 2.8 Modifications

No modifications were implemented to meet testing criteria.

### **3 TEST ENVIRONMENT**

#### **3.1 Address of the test laboratory**

**Shenzhen GUOREN Certification Technology Service Co., Ltd.**

101#, Building K & Building T, The Second Industrial Zone, Jiazitang Community, Fenghuang Street, Guangming District, Shenzhen, China

#### **3.2 Test Facility**

The test facility is recognized, certified, or accredited by the following organizations:

**FCC-Registration No.: 920798 Designation Number: CN1304**

Shenzhen GUOREN Certification Technology Service Co., Ltd. has been listed on the US Federal Communications Commission list of test facilities recognized to perform electromagnetic emissions measurements.

**A2LA-Lab Cert. No.: 6202.01**

Shenzhen GUOREN Certification Technology Service Co., Ltd. has been listed by American Association for Laboratory Accreditation to perform electromagnetic emission measurement.

**ISED#: 27264 CAB identifier: CN0115**

Shenzhen GUOREN Certification Technology Service Co., Ltd. has been listed by Innovation, Science and Economic Development Canada to perform electromagnetic emission measurement.

**CNAS-Lab Code: L15631**

Shenzhen GUOREN Certification Technology Service Co., Ltd. has been assessed and proved to be in compliance with CNAS-CL01 Accreditation Criteria for Testing and Calibration Laboratories for the Competence of Testing and Calibration Laboratories.

The 3m-Semi anechoic test site fulfils CISPR 16-1-4 according to ANSI C63.10 and CISPR 16-1-4:2010.

#### **3.3 Environmental conditions**

During the measurement the environmental conditions were within the listed ranges:

Normal Temperature	15-35 °C
Relative Humidity	30-60 %
Air Pressure	950-1050mbar

### 3.4 Summary of measurement results

FCC Requirements		
FCC Part 15.207	Conducted Emission	N/A
FCC Part 15.231(a)(2)	Automatically Deactivate	PASS
FCC Part 15.231(b)	Electric Field Strength of Fundamental Emission	PASS
FCC Part 15.205 & 15.209 & 15.231(b)	Electric Field Strength of Spurious Emission	PASS
FCC Part 15.231(c)	-20dB bandwidth	PASS

Remark: 1. The measurement uncertainty is not included in the test result.

2. N/A means "not applicable".

### 3.5 Statement of the measurement uncertainty

The data and results referenced in this document are true and accurate. The reader is cautioned that there may be errors within the calibration limits of the equipment and facilities. The measurement uncertainty was calculated for all measurements listed in this test report acc. to TR-100028-01 "Electromagnetic compatibility and Radio spectrum Matters (ERM); Uncertainties in the measurement of mobile radio equipment characteristics; Part 1" and TR-100028-02 "Electromagnetic compatibility and Radio spectrum Matters (ERM); Uncertainties in the measurement of mobile radio equipment characteristics; Part 2" and is documented in the Shenzhen GUOREN Certification Technology Service Co., Ltd. quality system acc. to DIN EN ISO/IEC 17025. Furthermore, component and process variability of devices similar to that tested may result in additional deviation. The manufacturer has the sole responsibility of continued compliance of the device.

Hereafter the best measurement capability for Shenzhen GUOREN Certification Technology Service Co., Ltd.:

Test	Range	Measurement Uncertainty	Notes
Radiated Emission	30~1000MHz	4.06 dB	(1)
Radiated Emission	1~18GHz	5.14 dB	(1)
Radiated Emission	18-40GHz	5.38 dB	(1)
Conducted Disturbance	0.15~30MHz	2.14 dB	(1)

(1) This uncertainty represents an expanded uncertainty expressed at approximately the 95% confidence level using a coverage factor of  $k=2$ .



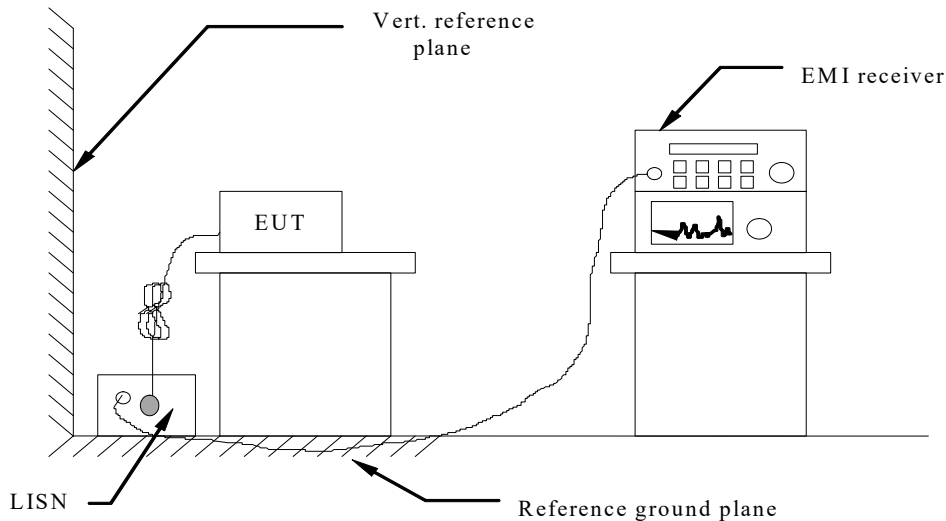
### 3.6 Equipments Used during the Test

Test Equipment	Manufacturer	Model No.	Equipment No.	Calibration Date	Calibration Due Date
LISN	R&S	ENV216	GRCTEE009	2022/10/12	2023/10/11
LISN	R&S	ENV216	GRCTEE010	2022/10/12	2023/10/11
EMI Test Receiver	R&S	ESPI	GRCTEE017	2022/10/12	2023/10/11
EMI Test Receiver	R&S	ESCI	GRCTEE008	2022/10/12	2023/10/11
Spectrum Analyzer	Agilent	N9020A	GRCTEE002	2022/10/12	2023/10/11
Spectrum Analyzer	R&S	FSP	GRCTEE003	2022/10/12	2023/10/11
Vector Signal generator	Agilent	N5181A	GRCTEE007	2022/10/12	2023/10/11
Analog Signal Generator	R&S	SML03	GRCTEE006	2022/10/12	2023/10/11
Climate Chamber	QIYA	LCD-9530	GRCTES016	2022/10/12	2023/10/11
Ultra-Broadband Antenna	Schwarzbeck	VULB9163	GRCTEE018	2020/10/25	2023/10/24
Horn Antenna	Schwarzbeck	BBHA 9120D	GRCTEE019	2020/10/25	2023/10/24
Loop Antenna	Zhinan	ZN30900C	GRCTEE020	2020/10/25	2023/10/24
Horn Antenna	Beijing Hangwei Dayang	OBH100400	GRCTEE049	2021/1/18	2024/1/17
Amplifier	Schwarzbeck	BBV 9745	GRCTEE021	2022/10/12	2023/10/11
Amplifier	Taiwan chengyi	EMC051845B	GRCTEE022	2022/10/12	2023/10/11
Temperature/Humidity Meter	Huaguan	HG-308	GRCTES037	2022/10/12	2023/10/11
Directional coupler	NARDA	4226-10	GRCTEE004	2022/10/12	2023/10/11
High-Pass Filter	XingBo	XBLBQ-GTA18	GRCTEE053	2022/10/12	2023/10/11
High-Pass Filter	XingBo	XBLBQ-GTA27	GRCTEE054	2022/10/12	2023/10/11
Automated filter bank	Tonscend	JS0806-F	GRCTEE055	2022/10/12	2023/10/11
Power Sensor	Agilent	U2021XA	GRCTEE070	2022/10/12	2023/10/11
EMI Test Software	ROHDE & SCHWARZ	ESK1-V1.71	GRCTEE060	N/A	N/A
EMI Test Software	Fera	EZ-EMC	GRCTEE061	N/A	N/A

## 4 TEST CONDITIONS AND RESULTS

### 4.1 AC Power Conducted Emission

#### TEST CONFIGURATION



#### TEST PROCEDURE

- 1 The equipment was set up as per the test configuration to simulate typical actual usage per the user's manual. The EUT is a tabletop system, a wooden table with a height of 0.8 meters is used and is placed on the ground plane as per ANSI C63.10-2013.
- 2 Support equipment, if needed, was placed as per ANSI C63.10-2013
- 3 All I/O cables were positioned to simulate typical actual usage as per ANSI C63.10-2013
- 4 The EUT received power from adapter, the adapter received AC120V/60Hz and AC 240V/60Hz power through a Line Impedance Stabilization Network (LISN) which supplied power source and was grounded to the ground plane.
- 5 All support equipments received AC power from a second LISN, if any.
- 6 The EUT test program was started. Emissions were measured on each current carrying line of the EUT using a spectrum Analyzer / Receiver connected to the LISN powering the EUT. The LISN has two monitoring points: Line 1 (Hot Side) and Line 2 (Neutral Side). Two scans were taken: one with Line 1 connected to Analyzer / Receiver and Line 2 connected to a 50 ohm load; the second scan had Line 1 connected to a 50 ohm load and Line 2 connected to the Analyzer / Receiver.
- 7 Analyzer / Receiver scanned from 150 KHz to 30MHz for emissions in each of the test modes.
- 8 During the above scans, the emissions were maximized by cable manipulation.

#### AC Power Conducted Emission Limit

For intentional device, according to § 15.207(a) AC Power Conducted Emission Limits is as following:

Frequency range (MHz)	Limit (dBuV)	
	Quasi-peak	Average
0.15-0.5	66 to 56*	56 to 46*
0.5-5	56	46
5-30	60	50

\* Decreases with the logarithm of the frequency.

#### TEST RESULTS

The EUT is powered by the Battery, so this test item is not applicable for the EUT.

### 4.2 Radiated Emission

#### Limit

For intentional device, according to 15.209(a) the general requirement of field strength of radiated emission from intentional radiators at a distance of 3 meters shall not exceed the following table.

Frequency (MHz)	Distance (Meters)	Radiated (dBµV/m)	Radiated (µV/m)
0.009-0.49	3	$20\log(2400/F(\text{KHz}))+40\log(300/3)$	$2400/F(\text{KHz})$
0.49-1.705	3	$20\log(24000/F(\text{KHz}))+ 40\log(30/3)$	$24000/F(\text{KHz})$
1.705-30	3	$20\log(30)+ 40\log(30/3)$	30
30-88	3	40.0	100
88-216	3	43.5	150
216-960	3	46.0	200
Above 960	3	54.0	500

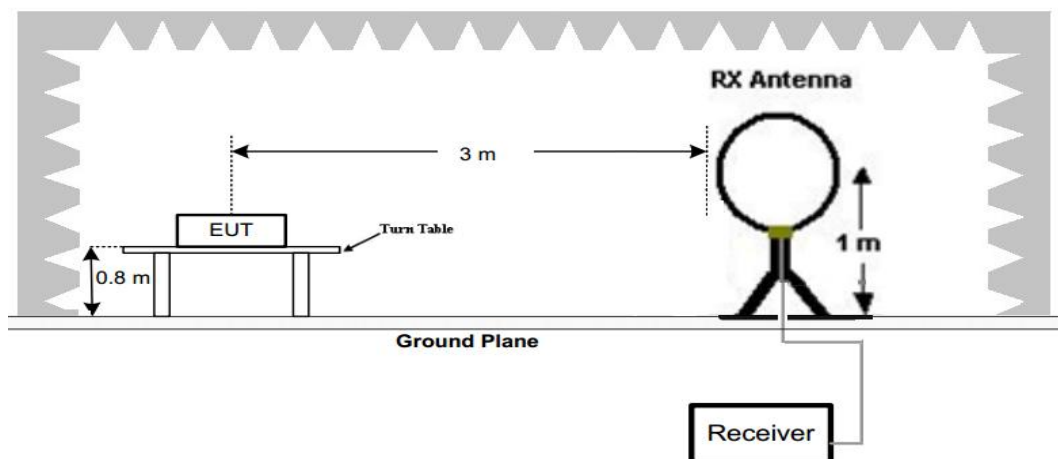
In addition to the provisions of 15.231(b), the field strength of emissions from intentional radiators operated under this section shall not exceed the following:

Funda-mental fre-quency (MHz)	Field strength of funda-mental (microvolts/ meter)	Field strength of spurious emissions (microvolts/meter)
40.66– 40.70.	2,250 .....	225
70–130 .....	1,250 .....	125
130–174 ....	<sup>1</sup> 1,250 to 3,750 .....	<sup>1</sup> 125 to 375
174–260 ....	3,750 .....	375
260–470 ....	<sup>1</sup> 3,750 to 12,500 .....	<sup>1</sup> 375 to 1,250
Above 470	12,500 .....	1,250

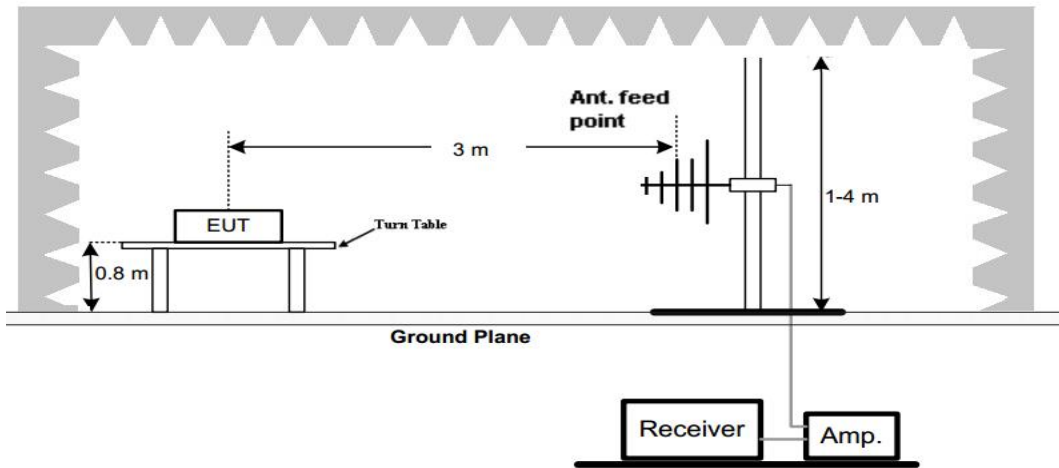
<sup>1</sup> Linear interpolations.

#### TEST CONFIGURATION

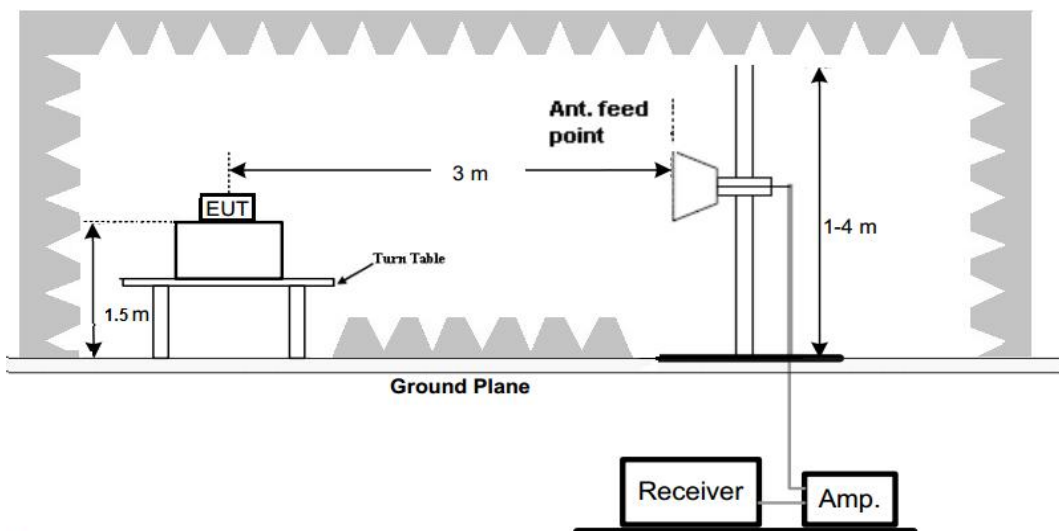
(A) Radiated Emission Test Set-Up, Frequency Below 30MHz



(B) Radiated Emission Test Set-Up, Frequency below 1000MHz



(C) Radiated Emission Test Set-Up, Frequency above 1000MHz



### Test Procedure

1. Below 1GHz measurement the EUT is placed on a turntable which is 0.8m above ground plane, and above 1GHz measurement EUT was placed on a low permittivity and low loss tangent turn table which is 1.5m above ground plane.
2. Maximum procedure was performed by raising the receiving antenna from 1m to 4m and rotating the turn table from 0° to 360° to acquire the highest emissions from EUT
3. And also, each emission was to be maximized by changing the polarization of receiving antenna both horizontal and vertical.
4. Repeat above procedures until all frequency measurements have been completed.

### TEST RESULTS

The emissions from 30MHz to 5GHz are measured peak and average level, below 1 GHz measured QP level, detailed test data please see below. Besides, we tested 3 directions and recorded the worst data.

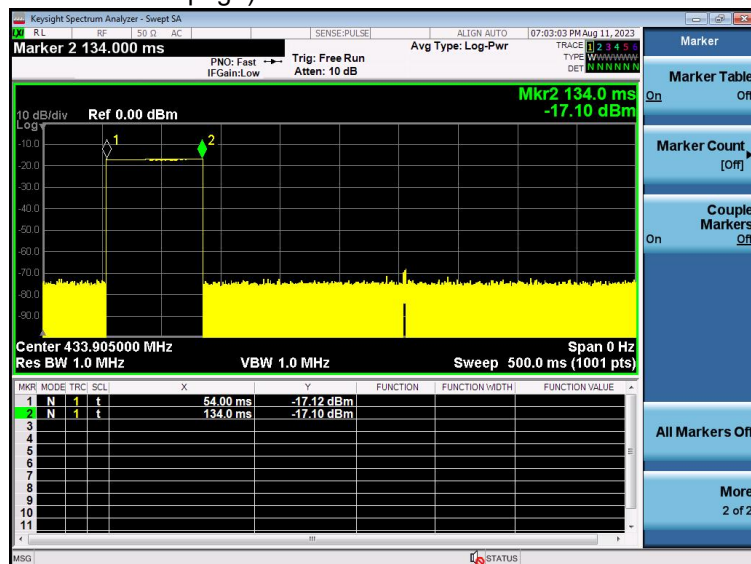
Emission Styles	Frequency (MHz)	Reading (dBuV)	Factor (dB/m)	Level (dBuV/m)	Limit (dBuV/m)	Margin (dB)	Detector	Direction (H/V)
Fundamental	433.9050	84.67	-14.84	69.83	100.82	30.99	PK	H
Spurious	597.2232	43.54	-11.27	32.27	46	13.73	PK	H
Harmonics	867.8100	59.25	-8.02	51.23	80.82	29.59	PK	H
Harmonics	1301.7150	57.43	-27.57	29.86	74	44.14	PK	H
--	--	--	--	--	--	--	--	--
Fundamental	433.9050	86.82	-14.84	71.98	100.82	28.84	PK	V
Spurious	597.2232	46.21	-11.27	34.94	46	11.06	PK	V
Harmonics	867.8100	60.35	-8.02	52.33	80.82	28.49	PK	V
Harmonics	1301.7150	59.43	-27.57	31.86	74	42.14	PK	V
--	--	--	--	--	--	--	--	--

Emission Styles	Frequency (MHz)	PK Level (dBuV/m)	AV Factor (dB/m)	AV Level (dBuV/m)	Limit (dBuV/m)	Margin (dB)	Direction (H/V)
Fundamental	433.9050	69.83	-1.94	67.89	80.82	12.93	H
Harmonics	867.8100	51.23	-1.94	49.29	60.82	11.53	H
Harmonics	1301.7150	29.86	-1.94	27.92	54.00	26.08	H
--	--	--	--	--	--	--	--
Fundamental	433.9050	71.98	-1.94	70.04	80.82	10.78	V
Harmonics	867.8100	52.33	-1.94	50.39	60.82	10.43	V
Harmonics	1301.7150	31.86	-1.94	29.92	54.00	24.08	V
--	--	--	--	--	--	--	--

Note:

- Level (dBuV/m)= Reading (dBuV)+Factor(dB/m)
- AV Level (dBuV/m)= PK Level (dBuV/m)+ AV Factor(dB)
- Duty Cycle=80/100=0.8  
AV Factor=20\*log(Duty Cycle)=20\*log(0.8)=-1.94

(The plot of Duty Cycle See the follow page)



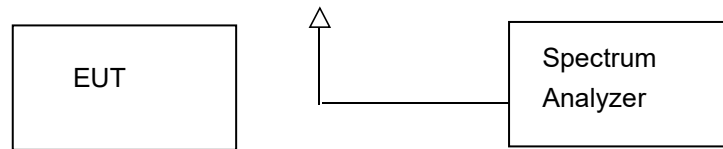
(Transmit cycle 80ms)

### 4.3 20dB Bandwidth

#### Limit

According to 47 CFR 15.231(c) The bandwidth of the emission shall be no wider than 0.25% of the centre frequency for devices operating above 70MHz and below 900MHz. Bandwidth is determined at the points 20dB down from the modulated carrier.

#### Test Configuration



#### Test Procedure

The 20dB bandwidth and 99% bandwidth is measured with a spectrum analyzer connected via a receive antenna placed near the EUT while the EUT is operating in transmission mode.

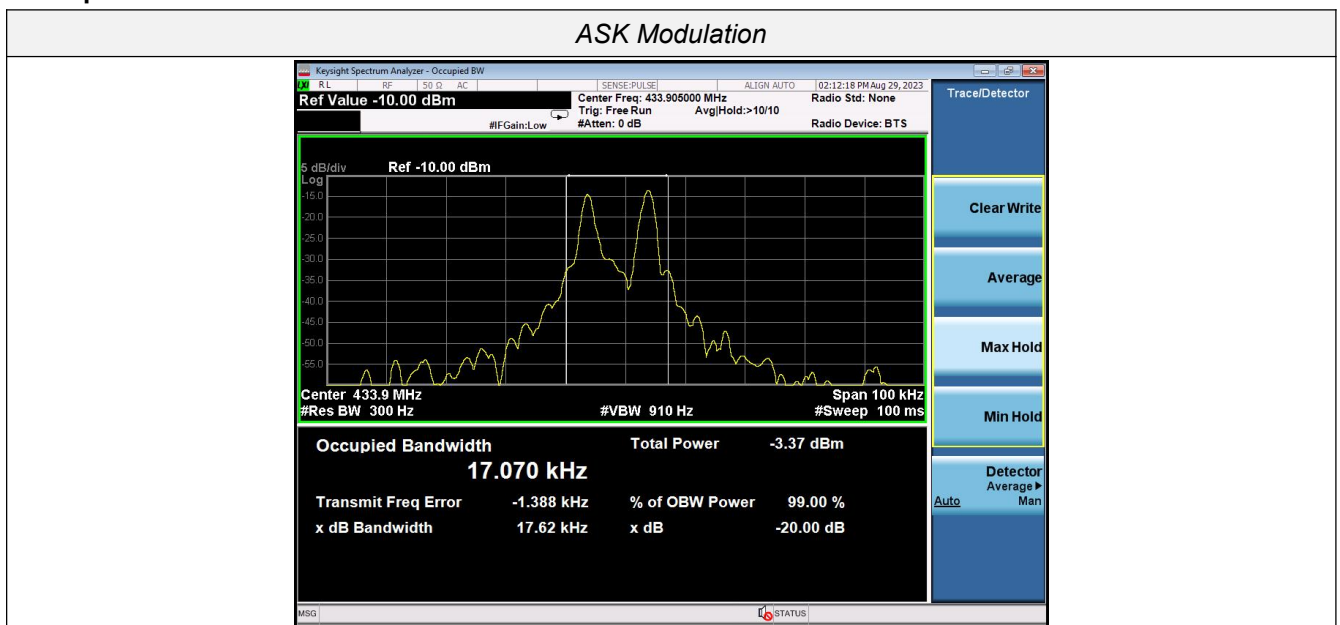
The 20dB bandwidth is defined as the total spectrum the power of which is higher than peak power minus 20dB.

The occupied bandwidth (OBW), that is the frequency bandwidth such that, below its lower and above its upper frequency limits, the mean powers radiated are each equal to 0.5 percent of the total mean power radiated by a given emission.

#### Test Results

Modulation	Channel Frequency (MHz)	99% OBW (KHz)	20dB bandwidth (KHz)	Limit (KHz)	Result
ASK	433.9050	17.070	17.62	$0.0025 \times 433905 = 1084.7625$	Pass

Test plot as follows:

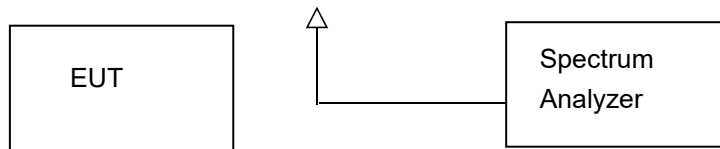


### 4.4 Deactivation Time

#### Limit

According to FCC §15.231(a)(2), A transmitter activated automatically shall cease transmission within 5 seconds after activation.

#### Test Configuration



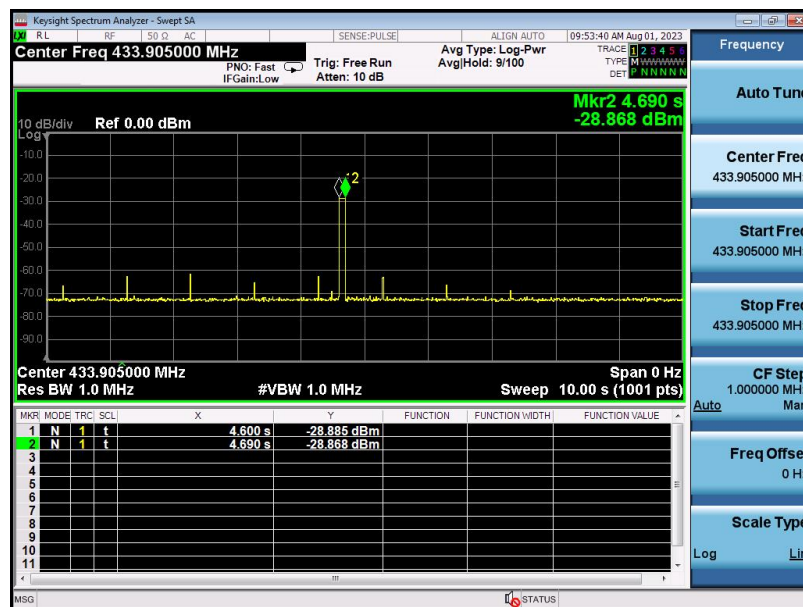
#### Test Procedure

1. The EUT was placed on a wooded table which is 0.8m height and close to receiver antenna of spectrum analyzer.
2. The spectrum analyzer resolution bandwidth was set to 1 MHz and video bandwidth was set to 1 MHz to encompass all significant spectral components during the test. The spectrum analyzer was operated in linear scale and zero span mode after tuning to the transmitter carrier frequency.

### TEST RESULTS

Note: The transmitter was automatically activated, and the carrier frequency 433.9050MHz:

Frequency (MHz)	One transmission time (S)	Limit(S)	Result
433.9050	0.09	5	Pass



## 4.5 Antenna Requirement

### Standard Applicable

According to FCC Part 15C 15.203

- a) An intentional radiator shall be de-signed to ensure that no antenna other than that furnished by the responsible party shall be used with the device.
- b) The manufacturer may design the unit so that a broken antenna can be replaced by the user, but the use of a standard antenna jack or electrical connector is prohibited.

### **Refer to statement below for compliance.**

The manufacturer may design the unit so that the user can replace a broken antenna, but the use of a standard antenna jack or electrical connector is prohibited. Further, this requirement does not apply to intentional radiators that must be professionally installed.

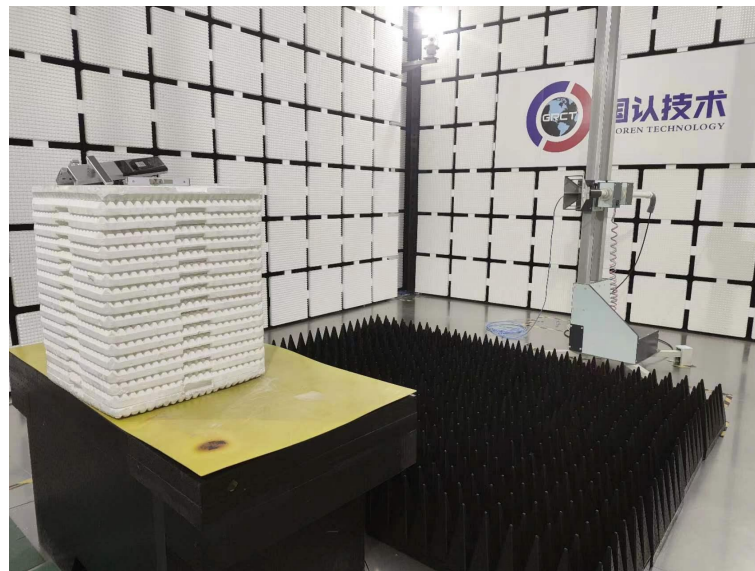
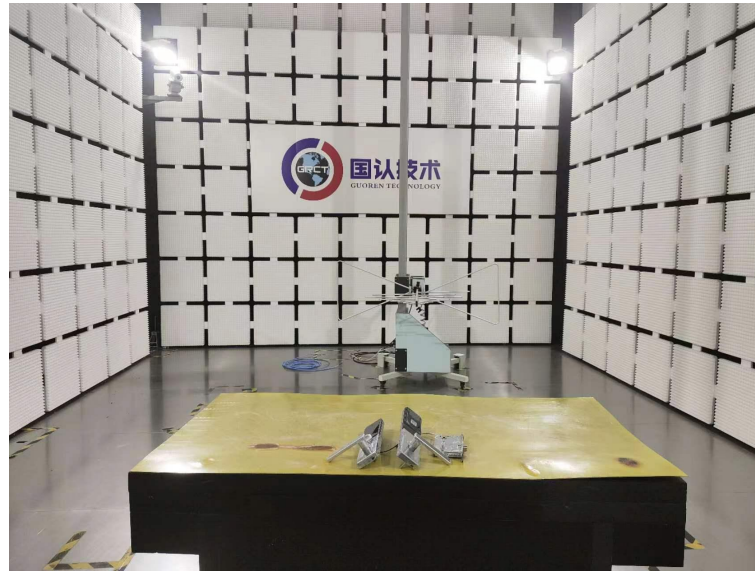
### Antenna Connected Construction

The maximum gain of antenna was 0.5 dBi.

Remark: The antenna gain is provided by the customer, if the data provided by the customer is not accurate, Shenzhen GUOREN Certification Technology Service Co., Ltd. does not assume any responsibility.



## 5 Test Setup Photos of the EUT



## 6 Photos of the EUT

Reference to the test report No. GRCTR230702038-01.

\*\*\*\*\* End of Report \*\*\*\*\*