



Visit www.tapo.com/support

for technical support, user guides, warranty,
and more information



Quick Start Guide

Smart Wi-Fi Door Lock
Tapo DL110



Welcome to Tapo!

 Setup Video

[https://www.tp-link.com/support/
setup-video/#cloud-cameras](https://www.tp-link.com/support/setup-video/#cloud-cameras)



Contact Us

Our expert Technical Support team is ready to assist you. Please don't hesitate to reach out with any questions.



EMAIL



CHAT



CALL

<https://www.tp-link.com/support/contact-technical-support/>



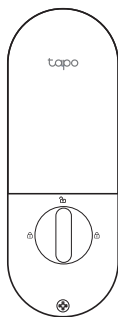
Contents

Parts in the Box	_____	1
Installation Preparation	_____	4
Installation	_____	6
Set Up	_____	18
What if the battery is dead while you are outside?	_____	19
Appearance	_____	20

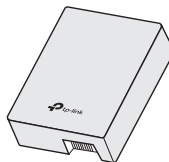
Parts in the Box



Exterior
Assembly



Interior
Assembly

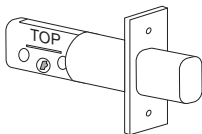


Battery Pack

Install the Bolt

Packaged Together

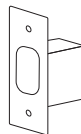
Install Strike Plate



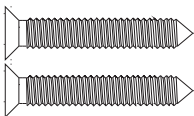
Bolt



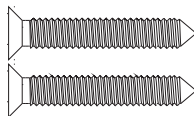
Strike Plate



Dust Box

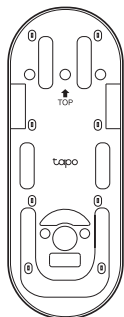


Bolt Screws (ST4*25)×2



Strike Plate Screws (ST4*25)×2

Install Mounting Plate

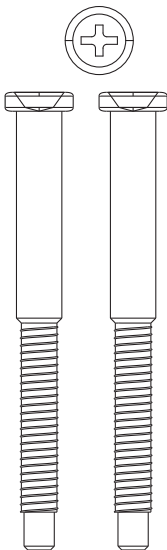


Mounting
Plate

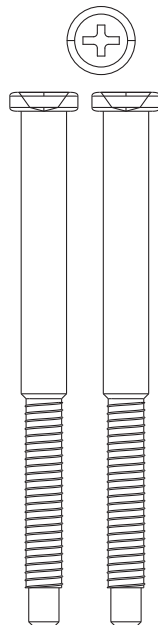
Interior
Assembly
Stickers

Actual Size

A (M5*58)×2



B (M5*68)×2

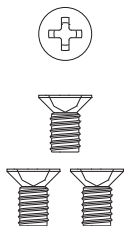


Install Exterior Assembly

Actual Size

C

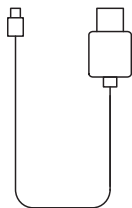
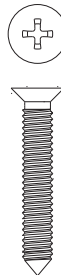
(M4*7.5)×3



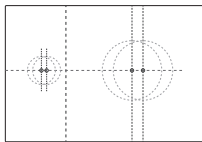
Actual Size

D

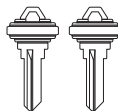
(ST4*20)×1



USB Adapter
Cable



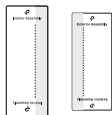
Measuring
Template



Keys ×2



Silicone Cover



Vertical Installation
Reference Line Stickers

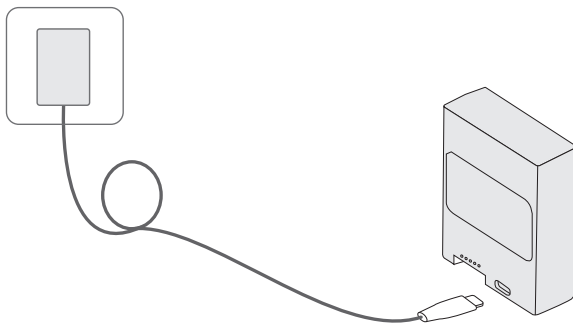


Quick Start
Guide

Installation Preparation

Charge Your Battery

Plug the provided USB cable into the battery pack's Type-C port, then connect it to a power outlet via a USB adapter with 5V output.



LED Indication:

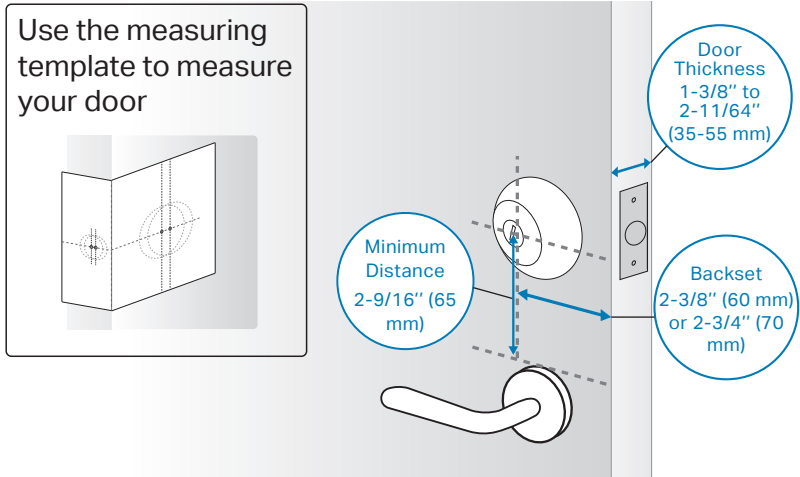
- **Charging:** Solid amber
- **Fully charged:** Solid green

Note:

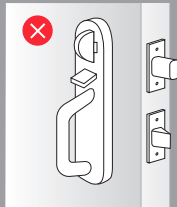
1. Charge the battery before use. This will take a few hours. It is recommended to use a 5V/2A adapter for best charging performance.
2. The USB adapter is not provided.

Check door lock compatibility.

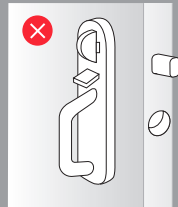
Place the measuring template on the door, aligning the door edge line with the door edge. Use the dimensions on the template to measure your door.



Compatible with
Single Cylinder



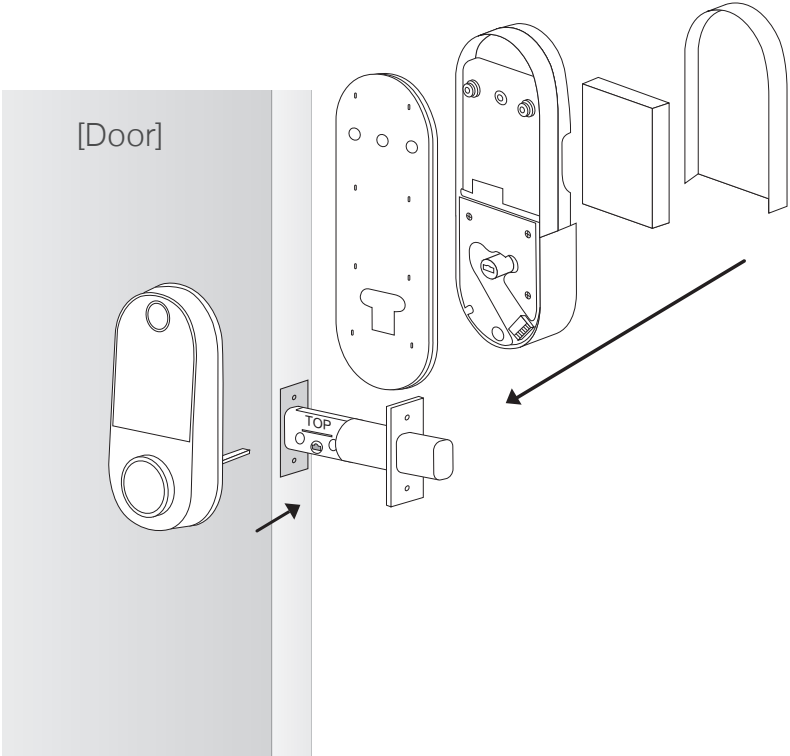
Integrated Locks
Not Compatible



Mortise Locks
Not Compatible

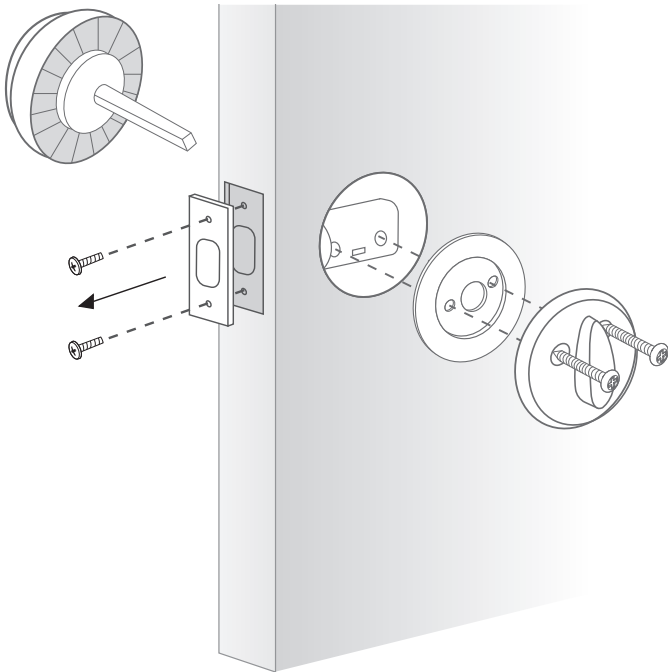
Installation

Installation Overview



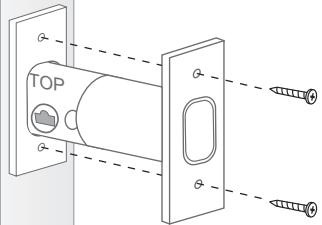
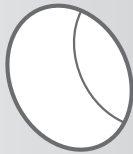
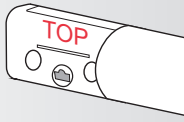
1 Remove your existing lock.

Remove your existing door lock.

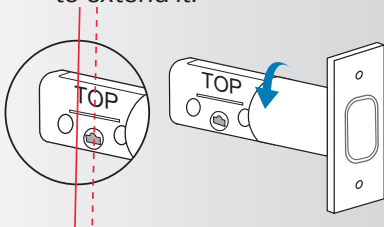


2 Install the bolt.

- A** Ensure the word "Top" is facing up.

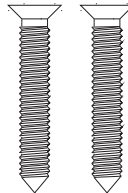


- B** If the latch hub is not centered in the door hole, twist the bolt to extend it.



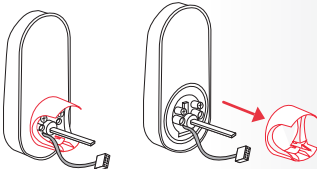
Actual Size

Packaged together
with the bolt



3 Install the exterior assembly.

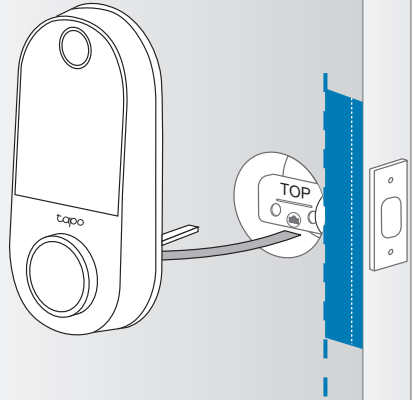
- A** If the door hole is 2-1/8" (54 mm), keep the spacer. If it's 1-1/2" (38 mm), remove the spacer first.



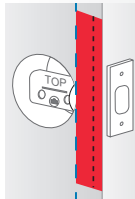
For 2-1/8" (54 mm) door hole

For 1-1/2" (38 mm) door hole

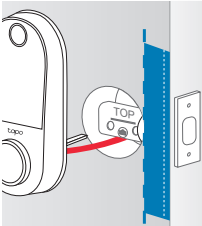
[OUTSIDE]



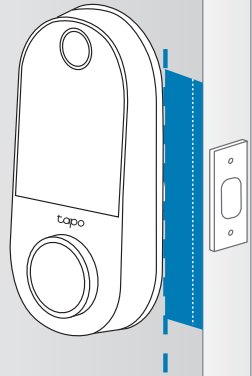
- B** To help mount vertically, place the sticker aligning its door edge line with the door edge. Ensure you choose the correct door edge line based on your backset distance.



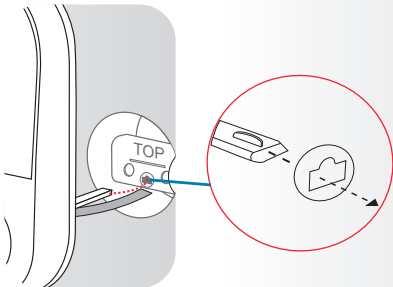
C Cable goes under the bolt.



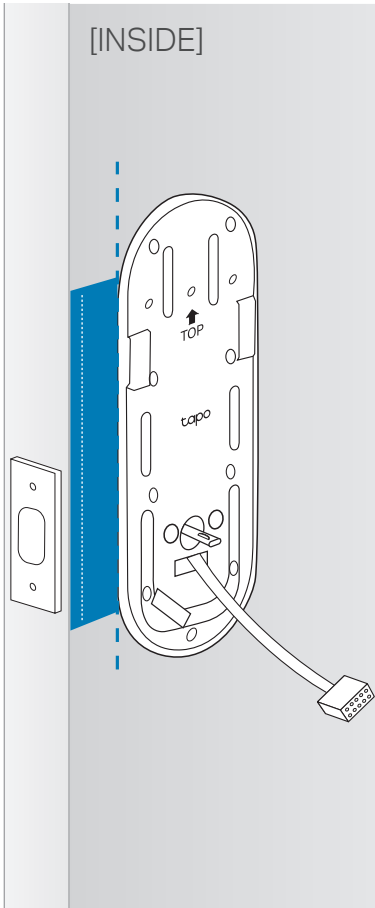
[OUTSIDE]



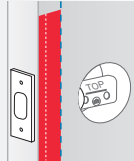
D Align the tailpiece with the center hole of the bolt, and insert it into the center hole.



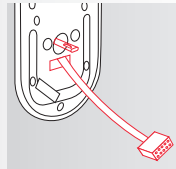
4 Install the mounting plate.



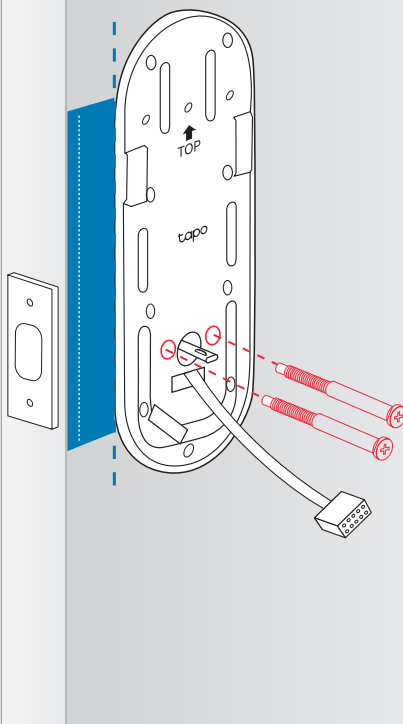
- A** Place the appropriate interior assembly sticker aligning with the door edge.



- B** Route the cable through the mounting plate hole.



Do Not use an electric drill to secure the screws.



- C** Use **two** mounting plate screws to secure the mounting plate.

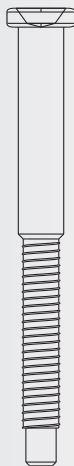
For door thickness of 1-3/8" to 1-49/64" (35-45 mm): choose screw A

For door thickness of 1-49/64" to 2-11/64" (45-55 mm): choose screw B

Actual Size

A

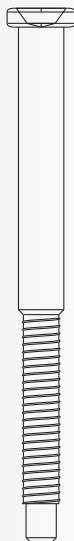
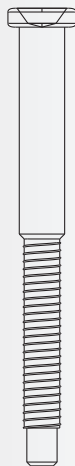
M5*58



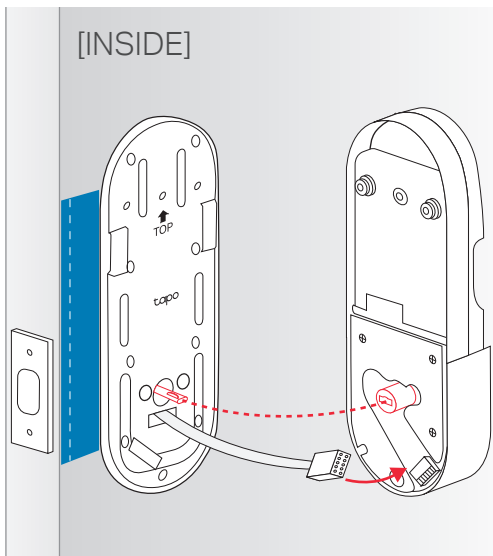
OR

B

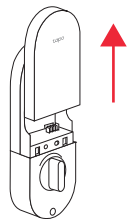
M5*68



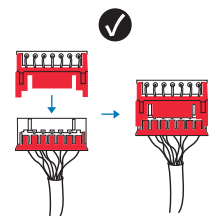
5 Install the interior assembly.



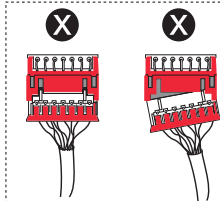
- A** Remove the battery cover.



- B** Connect the cable tightly.
Ensure the color side faces up.

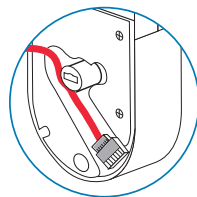


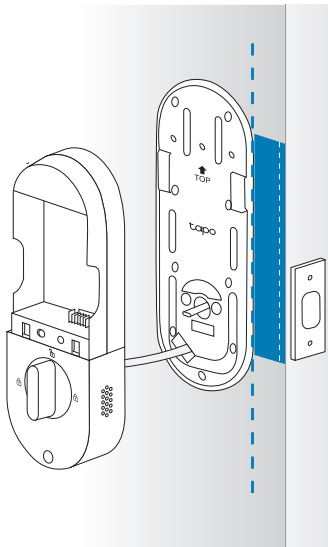
Red marking facing up



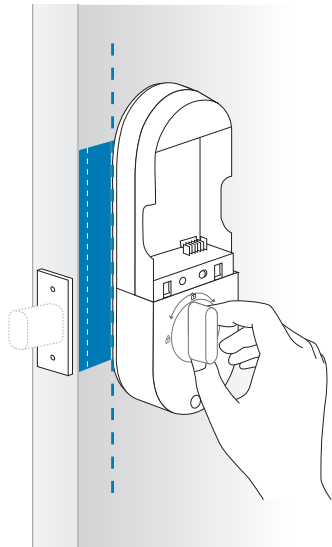
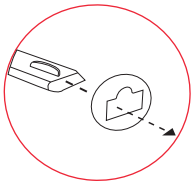
Not tightly connected

- C** Tuck the excess cable into the groove.



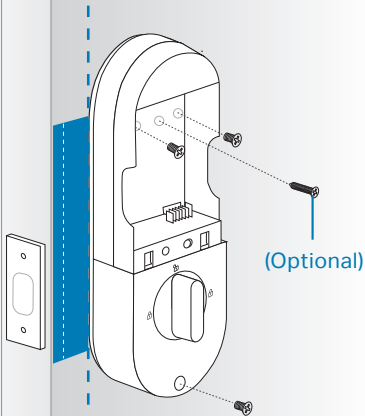


- D** Align the tailpiece with the key cylinder. Attach the interior assembly to the mounting plate.



- E** Rotate the thumb latch to ensure the latch retracts normally.

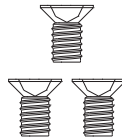
Do Not use an electric drill to secure the screws.



- F** Use the **three** provided M4*7.5 screws to affix the interior assembly.

Actual Size

C



- G** (Optional) Use the provided ST4×20 screw to secure the interior assembly.

Actual Size

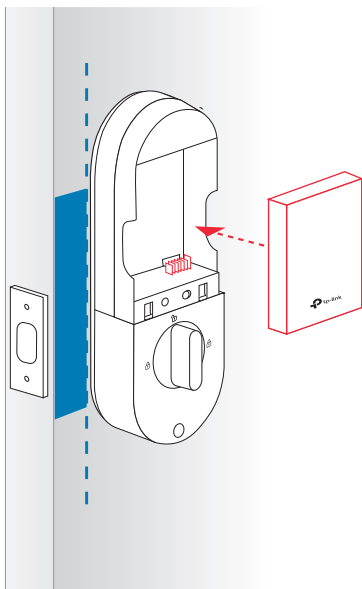
D



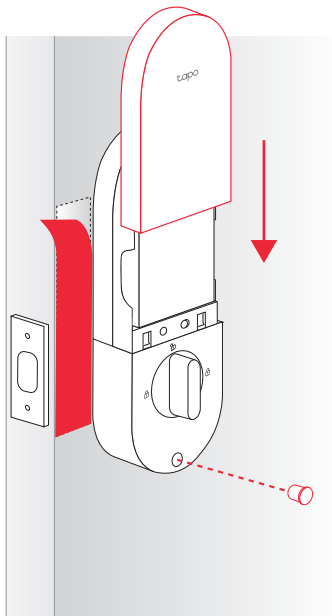
This screw will firmly secure the interior assembly and mounting plate to the inside door.

6 Install the battery.

- A** Insert the battery into the interior assembly with correct direction.



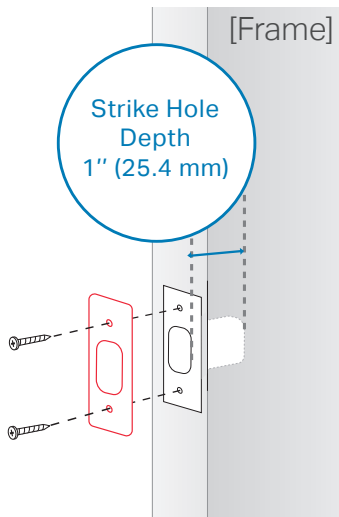
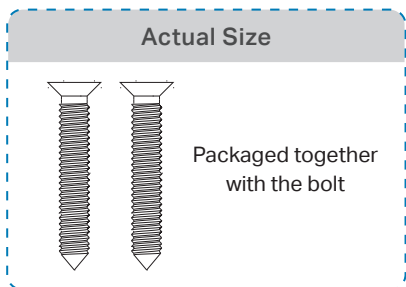
- B** Replace the cover by sliding it down.



- C** Insert the silicone cover into the bottom hole. Remove the two stickers.

7 Install the strike.

Insert the dust box and strike plate into the strike hole on the door frame. Ensure the depth of the strike hole is at least 1" (25.4 mm).



If you do not need to push or pull the door to ensure the bolt operates smoothly or automatically without friction, you can use your original strike plate.

If you need to push or pull the door for smooth operation, adjust the strike plate's position on the door frame.

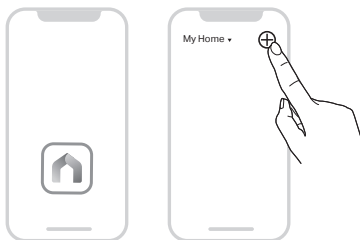
Set Up

Set Up

1. Get the **Tapo** app from the App Store or Google Play and log in with your TP-Link ID. If you do not have an account, create one first.



2. Tap the **+** button in the app. Select **Door Locks** and then your model. Follow the app instructions to complete setup and install your device.



The Tapo app is needed to use this lock. If this lock was professionally installed (or installed by someone other than the homeowner), make sure this step was performed by the homeowner.

What if the battery is dead while you are outside?

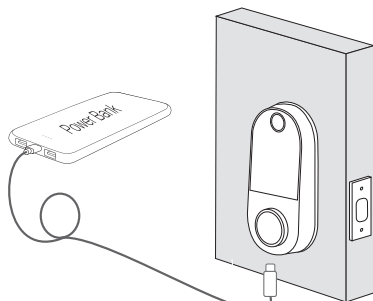
- **Unlock via the provided key**

Gently pull out the doorbell cover to expose the cylinder. Unlock the door with the provided key.



- **Temporarily charge the lock**

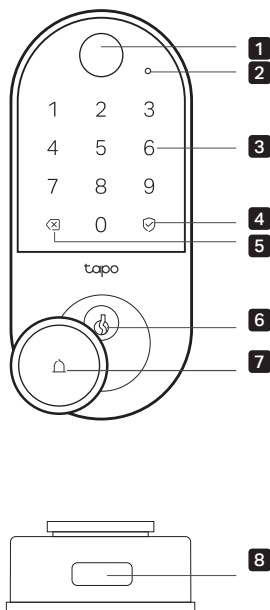
Connect the lock to a power outlet or power bank using a USB cable. This will provide a temporary power supply and will not charge the battery. Note that this port is for power only and cannot transfer data.



Appearance

Appearance

Exterior Assembly



1 Fingerprint Scanner

Lock/unlock with your fringerprint.

2 Status LED

Indicates the status of your device.

3 Key Pad

Lock/unlock the door by entering your PIN code.

4 Unlocking/Locking Button

- When you enter your PIN code starting with scramble digits, press this button to confirm unlocking.
- Press this button independently to lock the door.

5 Backpace

Press to delete the digit you entered.

6 Lock Cylinder

Used to unlock via the provided keys.

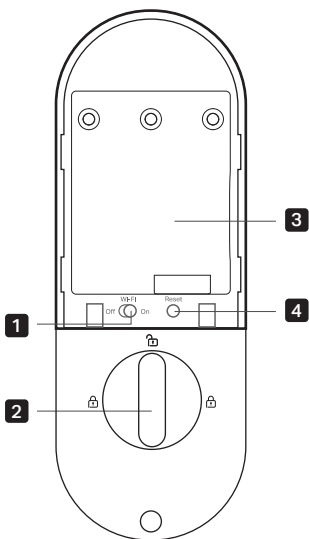
7 Ring Button

Press to ring the built-in doorbell.

8 Type-C Port

Connect to a power outlet to provide a temporary power supply.

Interior Assembly



1 Wi-Fi On/Off Button

Turn on Wi-Fi and connect your device to a Wi-Fi network for remote control.

Turn off Wi-Fi and only control your device locally via Bluetooth.

2 Thumb Latch

Rotate to lock/unlock the door.

3 Battery Compartment

Insert the provided battery to power your lock.

4 Reset

- Press and hold for 5 seconds to reset Wi-Fi settings.
- Press and hold for 10 seconds to reset to factory default settings.

Status LED Indications

Blinking red and green	Ready for setup
Pulsing green	Connecting to Wi-Fi
Blinking amber	Low battery
Blinking green	Lock updating
Solid red, then turn off after 3 seconds	Updating failed
Blinking red three times	Door jammed

Specifications

Type-C Emergency Power Supply: 5V 

Battery Power: 3.6V 

Rainproof Rating: IP65 (only for the exterior assembly)

Safety Information

- Do not use damaged charger or USB cable to charge the device.
- Do not attempt to disassemble, repair, or modify the device. If you need service, please contact us.
- Do not use the device where wireless devices are not allowed.
- Use only power supplies which are provided by manufacturer and in the original packing of this product. If you have any questions, please don't hesitate to contact us.
- Keep the device away from water, fire, humidity or hot environments.
- Do not place near automatically controlled devices such as fire alarms. Radio waves emitted from this product may cause such devices to malfunction resulting in an accident.
- Observe restrictions on using wireless products in fuel depots, chemical plants or when blasting operations are in progress.
- Never put metal objects inside the product. If a metal object enters the product turn off the circuit breaker and contact an authorised electrician.
- This product is not intended to be used when providing medical care. Consult the manufacturer of any personal medical devices, such as pacemakers or hearing aids to determine if they are adequately shielded from external RF (radio frequency) energy.
- Do not use this product in health care facilities. Hospitals or health care facilities may be using equipment that could be sensitive to external RF energy.
- When you leave the product unused for a long time unplug the product from the power outlet.
- This product may interfere with other electronic products such as TV, radios, personal computers, phones or other wireless devices.

Interior Assembly Operating Temperature: -10 °C ~ 55°C (14°F ~ 131°F)

Exterior Assembly Operating Temperature: -30 °C ~ 70°C (-22°F ~ 158°F)

Please read and follow the above safety information when operating the device. We cannot guarantee that no accidents or damage will occur due to improper use of the device. Please use this product with care and operate at your own risk.

CAUTION!

Risk of fire or explosion if the battery is replaced by an incorrect type

CAUTION!

Avoid replacement of a battery with an incorrect type that can defeat a safeguard. Avoid disposal of a battery into fire or a hot oven, or mechanically crushing or cutting of a battery, that can result in an explosion. Do not leave a battery in an extremely high temperature surrounding environment that can result in an explosion or the leakage of flammable liquid or gas. Do not leave a battery subjected to extremely low air pressure that may result in an explosion or the leakage of flammable liquid or gas.

FCC compliance information statement

This equipment has been tested and found to comply with the limits for a Class B digital device, pursuant to part 15 of the FCC Rules. These limits are designed to provide reasonable protection against harmful interference in a residential installation. This equipment generates, uses and can radiate radio frequency energy and, if not installed and used in accordance with the instructions, may cause harmful interference to radio communications. However, there is no guarantee that interference will not occur in a particular installation. If this equipment does cause harmful interference to radio or television reception, which can be determined by turning the equipment off and on, the user is encouraged to try to correct the interference by one or more of the following measures:

- Reorient or relocate the receiving antenna.
- Increase the separation between the equipment and receiver.
- Connect the equipment into an outlet on a circuit different from that to which the receiver is connected.
- Consult the dealer or an experienced radio/ TV technician for help.

This device complies with part 15 of the FCC Rules. Operation is subject to the following two conditions:

- 1) This device may not cause harmful interference.
- 2) This device must accept any interference received, including interference that may cause undesired operation.

Any changes or modifications not expressly approved by the party responsible for compliance could void the user's authority to operate the equipment.

Note: The manufacturer is not responsible for any radio or TV interference caused by unauthorized modifications to this equipment. Such modifications could void the user's authority to operate the equipment.

FCC RF Radiation Exposure Statement:

This equipment complies with FCC RF radiation exposure limits set forth for an uncontrolled environment. This device and its antenna must not be co-located or operating in conjunction with any other antenna or transmitter.

"To comply with FCC RF exposure compliance requirements, this grant is applicable to only Mobile Configurations. The antennas used for this transmitter must be installed to provide a separation distance of at least 20 cm from all persons and must not be co-located or operating in conjunction with any other antenna or transmitter."

Canadian Compliance Statement

This device contains licence-exempt transmitter(s)/receiver(s) that comply with Innovation, Science and Economic Development Canada's licence-exempt RSS(s). Operation is subject to the following two conditions:

- (1) This device may not cause interference.
- (2) This device must accept any interference, including interference that may cause undesired operation of the device.

L'émetteur/récepteur exempt de licence contenu dans le présent appareil est conforme aux CNR d'Innovation, Sciences et Développement économique Canada applicables aux appareils radio exempts de licence. L'exploitation est autorisée aux deux conditions suivantes :

- 1) L'appareil ne doit pas produire de brouillage;
- 2) L'appareil doit accepter tout brouillage radioélectrique subi, même si le brouillage est susceptible d'en compromettre le fonctionnement.

Radiation Exposure Statement:

This equipment complies with IC radiation exposure limits set forth for an uncontrolled environment. This equipment should be installed and operated with minimum distance 20cm between the radiator & your body.

Déclaration d'exposition aux radiations:

Cet équipement est conforme aux limites d'exposition aux rayonnements IC établies pour un environnement non contrôlé. Cet équipement doit être installé et utilisé avec un minimum de 20 cm de distance entre la source de rayonnement et votre corps.

Industry Canada Statement

CAN ICES-3 (B)/NMB-3(B)