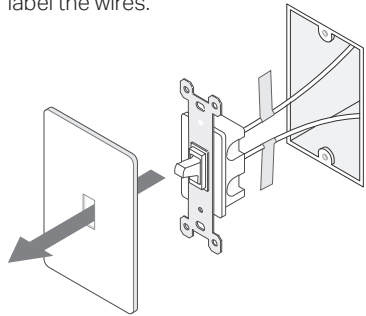


Wire Your Switch

- 1 **Turn off** the circuit breaker. Then remove the old wallplate of the wall switch and label the wires.



Ground: Usually green or copper.

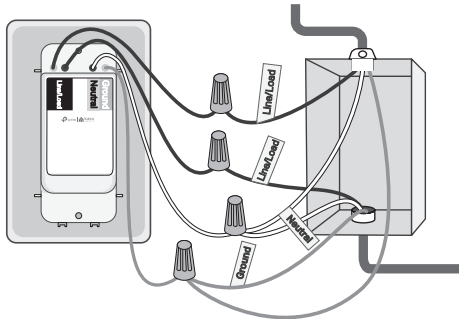
Neutral: Usually white, not connected to the dumb switch.

Line/Load: Usually black, and connected to the dumb switch.

If you are unsure, consult a qualified electrician.

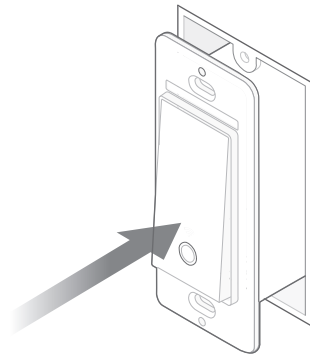
- 2 Disconnect wires from the old switch.

- 3 Connect the wires to the smart switch as shown below.

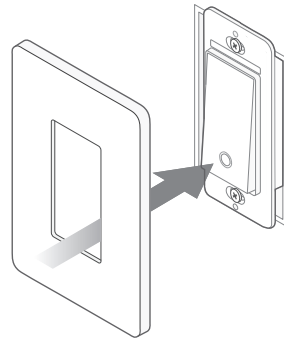


Note: No need to distinguish between **Line** and **Load** wires.

- 4 Line up the switch with the mounting holes. Secure it with screws.



- 5 Attach the wallplate and turn on the circuit breaker. Then the wiring is finished.



Set Up Your Switch

STEP 1 DOWNLOAD APP

Get the **Kasa Smart** app from the App Store or Google Play.



OR



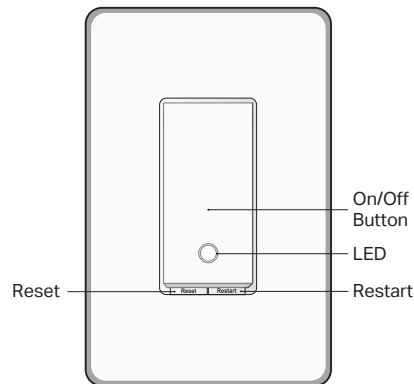
STEP 2 SET UP

Tap the **+** button in the app.

- If your device is white, select **Smart Switches > Smart Switch (Wi-Fi)**.
- If your device is black or almond, select **Smart Switches > Smart Switch (BLE)**.

And then follow app instructions to complete setup.

Appearance



Button Explanations

Reset	Press and hold for about 5s until the LED blinks amber and green to reset Wi-Fi while keeping other settings. Press and hold for about 10s until the LED blinks amber to restore to factory default settings.
Restart	Press to restart your switch.

LED Status

Solid amber	Starting up.
Blinking amber & green	Ready for setup; Resetting Wi-Fi.
Blinking green	Connecting to Wi-Fi.
Stay green for 30s	Connected to Wi-Fi.
Solid red	Disconnected from Wi-Fi.
Blinking amber	Device resetting.
White	Light fixture is off.

Third-Party Services

Kasa works with Alexa, Google Assistant, and other third-party services to control your switch by voice. Go to **Me > Third-Party Services** in the Kasa Smart app to integrate Third-Party Services.

For step-by-step setup instructions, please visit:

- **Google Home Assistant:**
<https://www.tp-link.com/support/faq/1534/>
- **Amazon Alexa:**
<https://www.tp-link.com/support/faq/944/>

Specifications

Rating: 100-120V~ 50/60Hz
Load: 15 A General Use, 600 W Incandescent, 1/6 HP Motor

Operation temperature: 0~40°C

Method of mounting included: Independently mounted (Vertically position only);
Operating control, Type 1.C action
Pollution Degree 2, Rated Impulse Voltage 2500V
Software Class A, NEMA Type 1

CAUTION

High Voltage-Disconnect power supply before servicing

MISE EN GARDE

Haute tension. Débrancher l'alimentation électrique avant d'utiliser

Safety Notice

Before installing, servicing or removing the switch, read and follow all safety precautions including the following:

- **CAUTION – Risk of Electric Shock –** More than one disconnect switch may be required to de-energize the equipment before servicing. A circuit breaker which disconnects the Line and Neutral conductor simultaneously is suitable. Ensure power is off at the circuit breaker before removing or installing any switch. Use a non-contact voltage tester to ensure the power is off.
- The Smart Switch must be installed and used in accordance with the National Electric Code (NEC) or your local electrical code. If you are unfamiliar with these codes and requirements, or are uncomfortable performing the installation, consult a qualified electrician.
- Do not install the Smart Switch with wet hands or when standing on wet or damp surfaces.
- Install only in a suitable UL Listed outlet box (suitable dimensions: H > 2.95 in./75 mm, W > 1.81 in./46 mm, D > 2 in./51 mm).

Support

For technical support, the user guide and other information, visit <https://www.tp-link.com/support/>.



Quick Start Guide

Kasa Smart Wi-Fi Light Switch, Single Pole

HS200/HS200-LA/HS200-BL

This equipment has been tested and found to comply with the limits for a Class B digital device, pursuant to part 15 of the FCC Rules. These limits are designed to provide reasonable protection against harmful interference in a residential installation. This equipment generates, uses and can radiate radio frequency energy and, if not installed and used in accordance with the instructions, may cause harmful interference to radio communications.

However, there is no guarantee that interference will not occur in a particular installation. If this equipment does cause harmful interference to radio or television reception, which can be determined by turning the equipment off and on, the user is encouraged to try to correct the interference by one or more of the following measures:

- Reorient or relocate the receiving antenna.
- Increase the separation between the equipment and receiver.
- Connect the equipment into an outlet on a circuit different from that to which the receiver is connected.
- Consult the dealer or an experienced radio/TV technician for help.

FCC Radiation Exposure Statement

This device complies with FCC radiation exposure limits set forth for an uncontrolled environment and it also complies with Part 15 of the FCC RF Rules.

This equipment must be installed and operated in accordance with provided instructions and the antenna(s) used for this transmitter must be installed to provide a separation distance of at least 20 cm from all persons and must not be co-located or operating in conjunction with any other antenna or transmitter.

End-users and installers must be provided with antenna installation instructions and consider removing the no-collocation statement.

This device complies with Part 15 of the FCC Rules. Operation is subject to the following two conditions:

- (1) this device may not cause harmful interference, and
- (2) this device must accept any interference received, including interference that may cause undesired operation.

Caution!

Any changes or modifications not expressly approved by the party responsible for compliance could void the user's authority to operate the equipment.

We, TP-Link USA Corporation, has determined that the equipment shown as above has been shown to comply with the applicable technical standards, FCC part 15. There is no unauthorized change is made in the equipment and the equipment is properly maintained and operated.

Canadian Compliance Statement

This device contains licence-exempt transmitter(s)/receiver(s) that comply with Innovation, Science and Economic Development Canada's licence-exempt RSS(s). Operation is subject to the following two conditions:

- (1) This device may not cause interference.
- (2) This device must accept any interference, including interference that may cause undesired operation of the device.

L' émetteur/r écepteur exempt de licence contenu dans le pr é sent appareil est conforme aux CNR d' Innovation, Sciences et D é veloppement é conomique Canada applicables aux appareils radio exempts de licence. L' exploitation est autoris é e aux deux conditions suivantes :

- 1) L' appareil ne doit pas produire de brouillage;
- 2) L' appareil doit accepter tout brouillage radio é lectrique subi, m ê me si le brouillage est susceptible d' en compromettre le fonctionnement.

Radiation Exposure Statement:

This equipment complies with IC radiation exposure limits set forth for an uncontrolled environment. This equipment should be installed and operated with minimum distance 20cm between the radiator & your body.

D é claracion d'exposition aux radiations:

Cet é quipement est conforme aux limites d'exposition aux rayonnements IC é tablées pour un environnement non contr ô lé . Cet é quipement doit ê tre install é et utilis é avec un minimum de 20 cm de distance entre la source de rayonnement et votre corps.

Industry Canada Statement

CAN ICES-3 (B)/NMB-3(B)