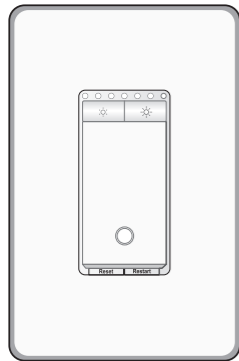


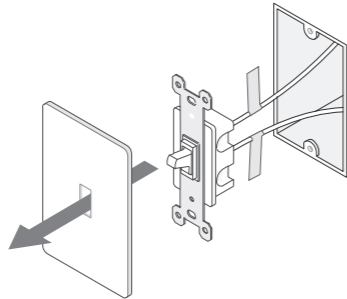
Product Introduction

Tapo smart dimmer switch turns on and dims the lights automatically, saving you effort and electricity bills.



Wire Your Switch

- 1) **Turn off** the circuit breaker. Then remove the old wallplate of the wall switch and label the **Ground** and **Neutral** wires.



Ground: Usually green or copper.

Neutral: Usually white and not connected to the dumb switch.

Line: Usually black and coming from the circuit breaker.

Load: Usually black. One end is connected to the light.

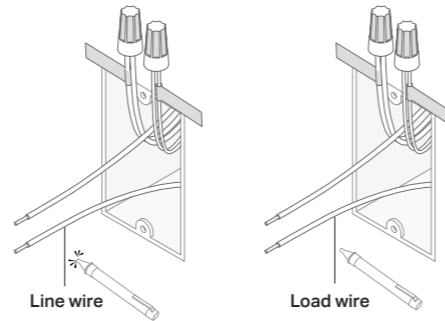
If you are unsure, consult a qualified electrician.

- 2) Disconnect the wires from the old switch.

- 3) Identify **Line** and **Load** wires.

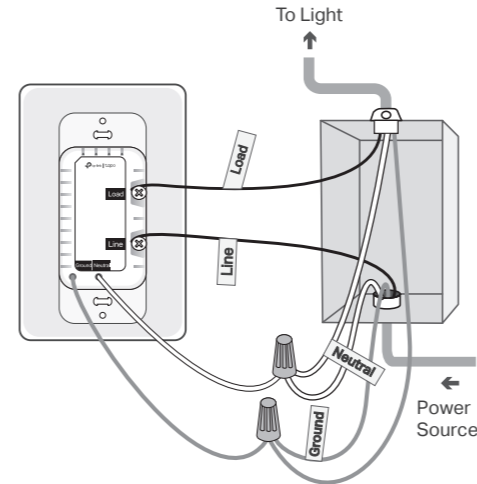
- 1) **Turn on** the circuit breaker. Use a voltage detector to identify the energized wire (**Line wire**).

⚠ Take care to avoid electric shocks.

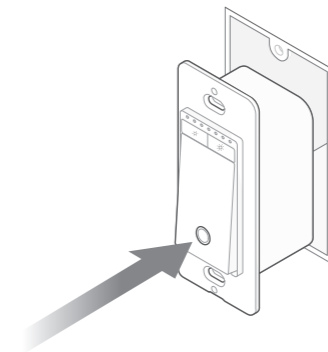


- 2) **Turn off** the circuit breaker. Label the **Line** and **Load** wires.

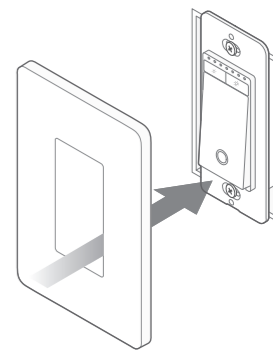
- 4) Connect the wires to the smart dimmer switch as shown below.



- 5) Line up the switch with the mounting holes. Secure it with screws.



- 6) Attach the wallplate and turn on the circuit breaker. Then the wiring is finished.



Set Up Your Switch

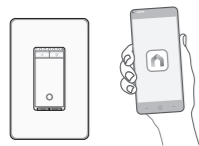
STEP 1 DOWNLOAD APP

Get the **Tapo** app from the App Store or Google Play.

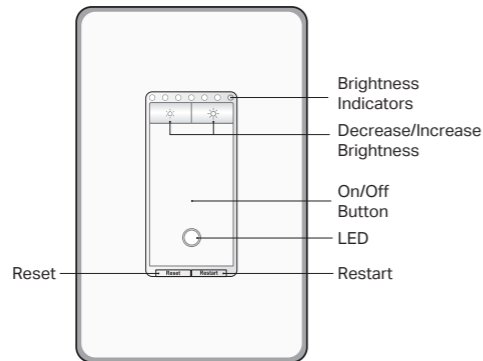


STEP 2 SET UP

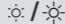
Tap the **+** button in the app. Select **Switches** and then your model. Follow the step-by-step app instructions to set up your smart switch.



Appearance



Button Explanations

| | |
|---|--|
|  | Decrease or increase the brightness. |
| Reset | Press and hold for about 5s to reset Wi-Fi while keeping other settings. Press and hold for about 10s to restore your switch to factory default settings. |
| Restart | Press to restart your switch. |

LED Status

| | |
|------------------------|---------------------------------------|
| Solid amber | Starting up; disconnected from cloud. |
| Blinking amber & green | Ready for setup. |
| Blinking green | Connecting to Wi-Fi. |
| Stay green for 30s | Connected to Wi-Fi. |
| Solid red | Disconnected from Wi-Fi. |
| Blinking amber | Device resetting. |
| White | Light fixture is off. |
| Blinking green slowly | Firmware upgrading. |

Specifications

Rating: 120V~ 60Hz
Load: 300W Incandescent, 150W LED
Operation temperature: 0~40°C
Method of mounting included: Independently mounted (Vertically position only);
Operating control, Type 1 action
Pollution Degree 2, Rated Impulse Voltage 2500 V
Software Class A, NEMA Type 1.Y

CAUTION

High Voltage-Disconnect power supply before servicing

MISE EN GARDE

Haute tension. Débrancher l'alimentation électrique avant d'utiliser

Safety Notice

Before installing, servicing or removing the switch, read and follow all safety precautions including the following:

- CAUTION – Risk of Electric Shock – More than one disconnect switch may be required to de-energize the equipment before servicing. A circuit breaker which disconnects the Line and Neutral conductor simultaneously is suitable. Ensure power is off at the circuit breaker before removing or installing any switch. Use a non-contact voltage tester to ensure the power is off.
- The Smart Switch must be installed and used in accordance with the National Electric Code (NEC) or your local electrical code. If you are unfamiliar with these codes and requirements, or are uncomfortable performing the installation, consult a qualified electrician.
- Do not install the Smart Switch with wet hands or when standing on wet or damp surfaces.
- Install only in a suitable UL Listed outlet box (suitable dimensions: H > 2.95 in./75 mm, W > 1.81 in./46 mm, D > 2 in./51 mm).
- Tighten terminal screws to 13 lbf-in.



Need some help?

Visit www.tp-link.com/support for technical support, user guides, FAQs, warranty and more information.

Quick Start Guide

Smart Wi-Fi Light Switch, Dimmer
BS2100

This equipment has been tested and found to comply with the limits for a Class B digital device, pursuant to part 15 of the FCC Rules. These limits are designed to provide reasonable protection against harmful interference in a residential installation. This equipment generates, uses and can radiate radio frequency energy and, if not installed and used in accordance with the instructions, may cause harmful interference to radio communications.

However, there is no guarantee that interference will not occur in a particular installation. If this equipment does cause harmful interference to radio or television reception, which can be determined by turning the equipment off and on, the user is encouraged to try to correct the interference by one or more of the following measures:

- Reorient or relocate the receiving antenna.
- Increase the separation between the equipment and receiver.
- Connect the equipment into an outlet on a circuit different from that to which the receiver is connected.
- Consult the dealer or an experienced radio/TV technician for help.

FCC Radiation Exposure Statement

This device complies with FCC radiation exposure limits set forth for an uncontrolled environment and it also complies with Part 15 of the FCC RF Rules.

This equipment must be installed and operated in accordance with provided instructions and the antenna(s) used for this transmitter must be installed to provide a separation distance of at least 20 cm from all persons and must not be co-located or operating in conjunction with any other antenna or transmitter.

End-users and installers must be provided with antenna installation instructions and consider removing the no-collocation statement.

This device complies with Part 15 of the FCC Rules. Operation is subject to the following two conditions:

- (1) this device may not cause harmful interference, and
- (2) this device must accept any interference received, including interference that may cause undesired operation.

Caution!

Any changes or modifications not expressly approved by the party responsible for compliance could void the user's authority to operate the equipment.

We, TP-Link USA Corporation, has determined that the equipment shown as above has been shown to comply with the applicable technical standards, FCC part 15. There is no unauthorized change is made in the equipment and the equipment is properly maintained and operated.

Canadian Compliance Statement

This device contains licence-exempt transmitter(s)/receiver(s) that comply with Innovation, Science and Economic Development Canada's licence-exempt RSS(s). Operation is subject to the following two conditions:

- (1) This device may not cause interference.
- (2) This device must accept any interference, including interference that may cause undesired operation of the device.

L' émetteur/r écepteur exempt de licence contenu dans le pr ésent appareil est conforme aux CNR d' Innovation, Sciences et D éveloppement économique Canada applicables aux appareils radio exempts de licence. L' exploitation est autoris ée aux deux conditions suivantes :

- 1) L' appareil ne doit pas produire de brouillage;
- 2) L' appareil doit accepter tout brouillage radio électrique subi, m ê me si le brouillage est susceptible d' en compromettre le fonctionnement.

Radiation Exposure Statement:

This equipment complies with IC radiation exposure limits set forth for an uncontrolled environment. This equipment should be installed and operated with minimum distance 20cm between the radiator & your body.

D éclaration d'exposition aux radiations:

Cet équipement est conforme aux limites d'exposition aux rayonnements IC établies pour un environnement non contr ôlé. Cet équipement doit ê tre install é et utilis é avec un minimum de 20 cm de distance entre la source de rayonnement et votre corps.

Industry Canada Statement

CAN ICES-3 (B)/NMB-3(B)