

AUT Report

Product Model: BS1200

Manufacturer: TP-LINK CORPORATION PTE. LTD.

Test Date: 2023.12.19

Tested By: Xuan Shan 軒珊

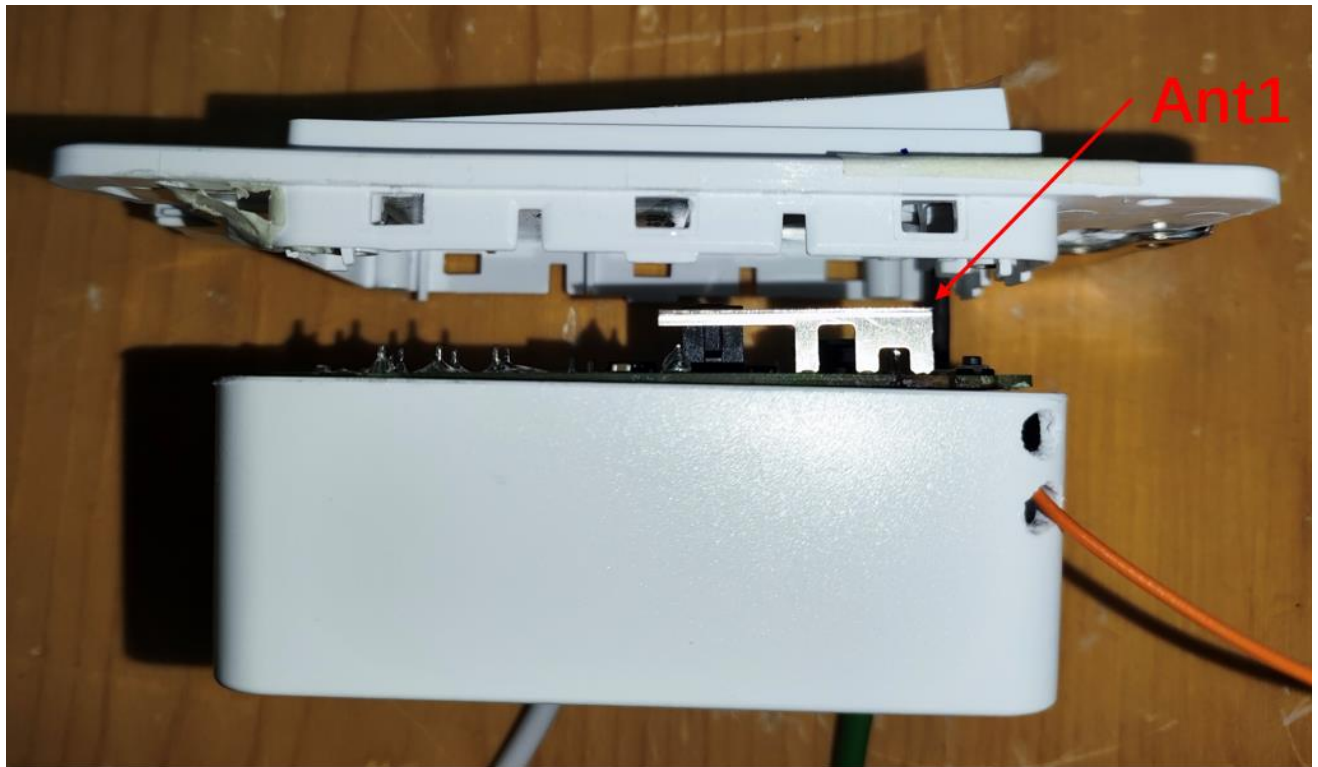
TP-Link Corporation Limited
Room 901, 9/F. , New East Ocean Centre,
9 Science Museum Road, Tsim Sha Tsui,
Kowloon, Hong Kong
TEL: 00852-37585503
<http://www.tp-link.com/en>

Index

1. Antenna Distribution.....	3
2. Electrical Characteristics	3
3. Gain and Radiation Pattern	3
3.1 Measurement Procedure.....	3
3.2 Test Setup.....	5
3.3 S Parameter Test Data	6
3.4 Antenna Peak Gain	6
3.5 Antenna Radiation Pattern	6

1. Antenna Distribution

BS1200



2. Electrical Characteristics

Ant1	
Frequency	2400~2500MHz
Impedance	50Ohm
Antenna Type	PIFA
Antenna Gain	3.18dBi@2400~2500MHz
Radiation pattern	Omni-Directional
tp-link P/N	6035500141

3. Gain and Radiation Pattern

3.1 Measurement Procedure

This measurement experiment adopted an antenna near-field measurement system, and the diagram of the measurement system was shown in Figure 3-1. The excitation signal was generated by the Keysight E5071C (300kHz-20GHz). Under the control of the central computer, the probe rotated in the θ direction, and the EUT rotated in the φ direction with the turntable. The probe sampling frame received and collected signals in the near-field range of the EUT. The software system which was controlled by the central computer completed the processing, output and display of the test data.

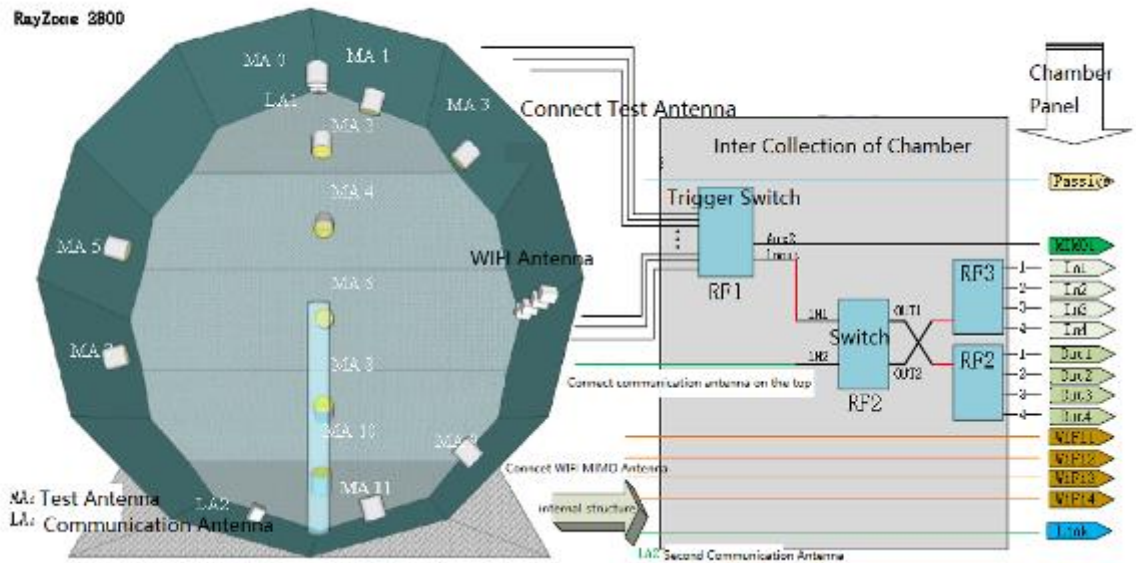


Figure 3-1

The test site was a full anechoic chamber with a size of 3.0m×3.1m×2.97m, which was built by GTS Rayzone2800. All six surfaces of the anechoic chamber were pasted with absorbing materials. And the chamber was calibrated by the authoritative third-party lab every year. The antenna anechoic chamber measurement system adopted a 13-probe multi-probe system. The probe antennas were evenly distributed on the spherical surface surrounding the EUT, and their operating frequency was 600MHz~8.5GHz.

During the measurement, the probe antennas were rotated in the θ direction under the control of the probe holder to sample the near-field data at the θ angle. At the same time, the EUT rotated with the turntable in the ϕ direction to sample the near field data at the ϕ angle. The sampling accuracy was 15°. The system diagram was shown in Figure 3-2. From the sampling results, the EUT's near-field test data of θ component, ϕ component and total component could be obtained.

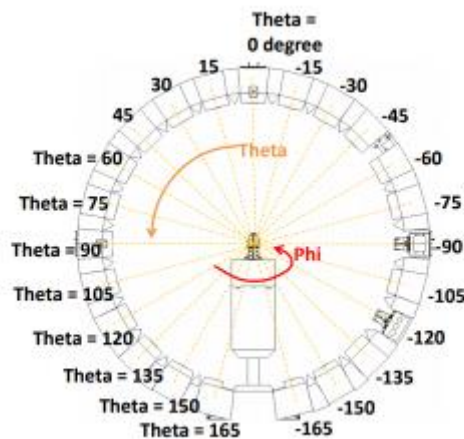


Figure 3-2

Before the measurement, calibrated the vector network analyzer, and then connected the input end of each antenna to the output end of the vector network analyzer, and evenly the antennas to be measured.

Test Equipment listed below:

Equipments	Model	Manufacturer	S/N	Cali. Interval	Cali. Due Date
Chamber	Rayzone2800	GTS(General Test System)	MY5347043 5	12months	2024/01/15
Vector Network Analyzer	E5071C	Keysight	MY46315238	24months	2024/03/13

GTS MaxSign100 Software	V2.1	GTS(General Test System)	/	/	/
-------------------------	------	--------------------------	---	---	---

3.2 Test Setup

The test setup was shown in Figure 3-3, 3-4:



Figure 3-3

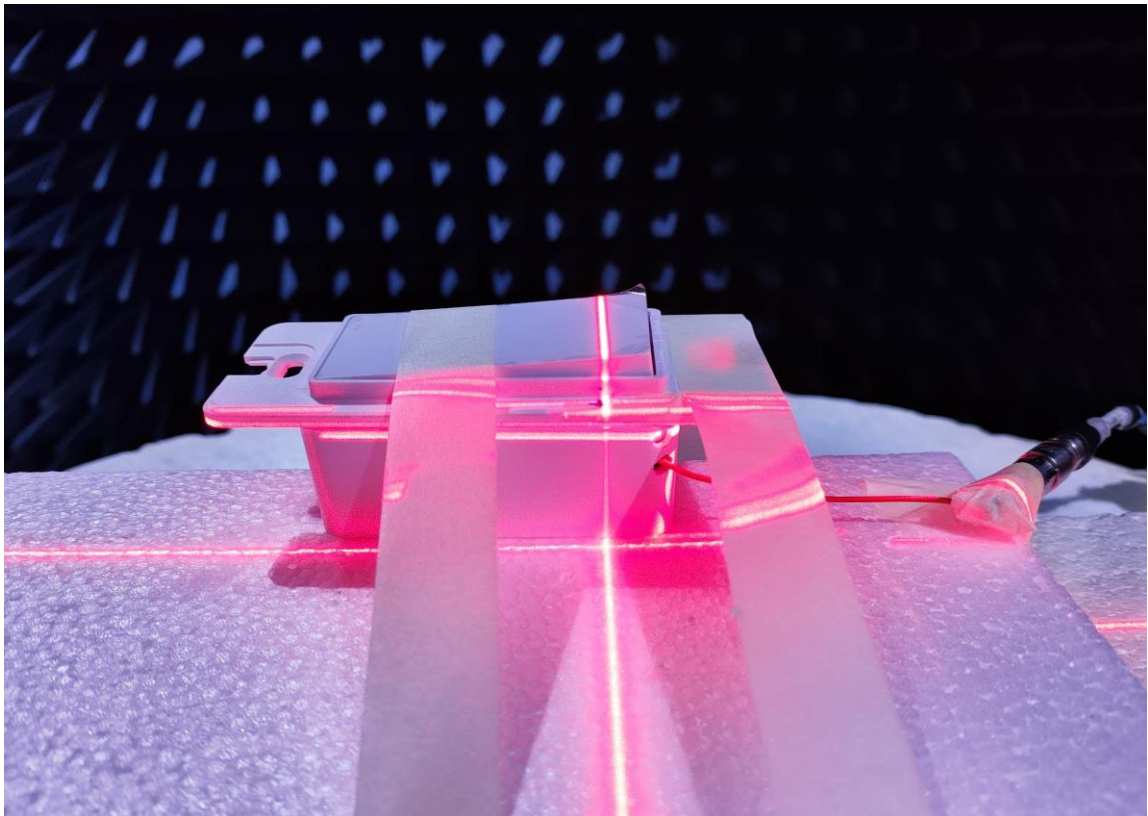
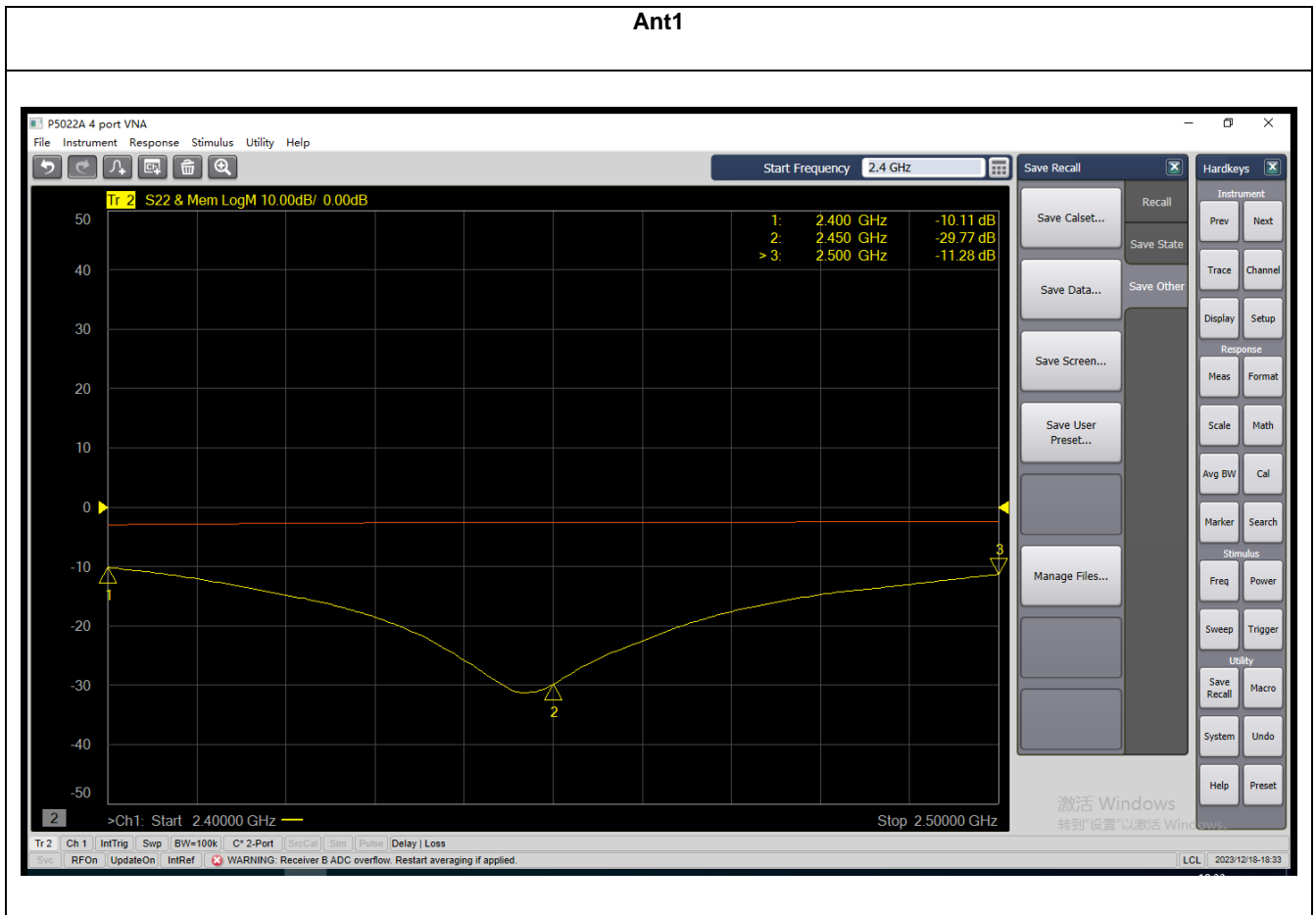


Figure 3-4

3.3 S Parameter Test Data



3.4 Antenna Peak Gain

Frequency(GHz)	2.45
Ant1 MaxGain(dBi)	3.18
Ant1 Polarization/ Φ ($^{\circ}$)/ θ ($^{\circ}$)	Linear/165/135
Max Gain(dBi)	3.18

3.5 Antenna Radiation Pattern

