

# TP-LINK CORPORATION PTE.LTD.

Federal Communications Commission  
7435 Oakland Mills Road  
Columbia MD 21046

American Certification Body, Inc.  
6731 Whittier Avenue  
Suite C110  
McLean, VA 22101

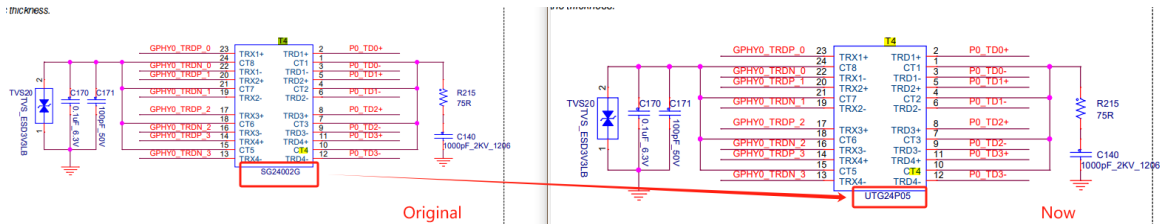
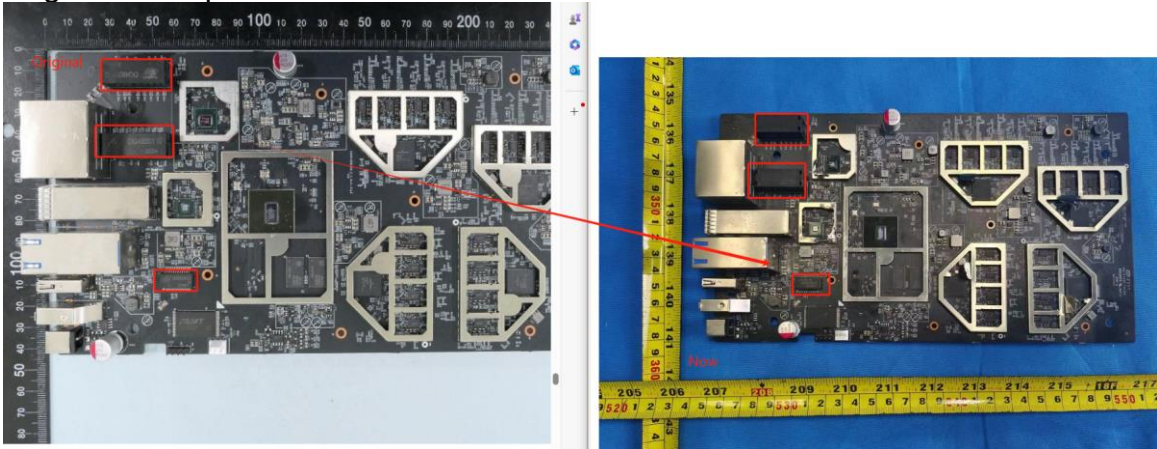
Subject: Requesting Class II permissive change for FCC ID: 2BCGWBE900V2

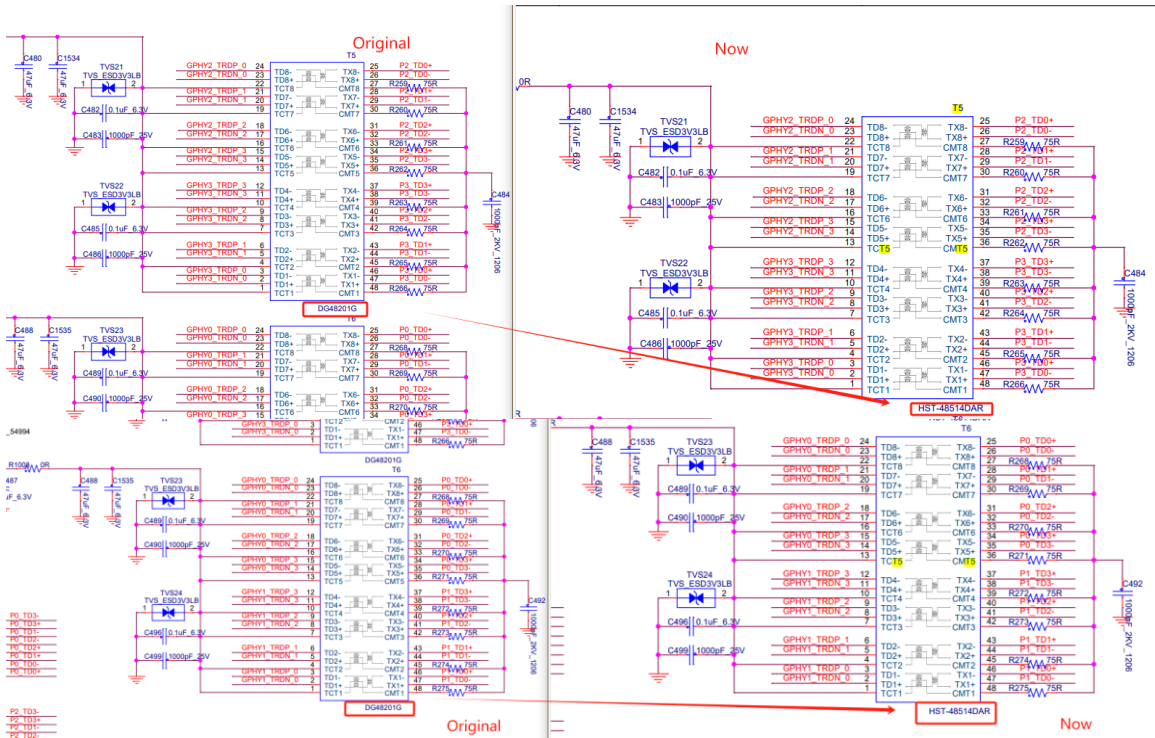
To Whom It May Concern:

The purpose of this letter is to request a Class II Permissive change for FCC ID: 2BCGWBE900V2, original granted on 01/22/2024.

There is no other hardware or electrical modification made to the applying transmitter itself except below:

- 1. Model Archer BE900 changed the signal transformer of the network port.  
Page 19: t5 and t6 replaced with HST-48514DAR  
Page 11: t4 replaced with UTG24P05.





Please contact me if you have any questions or need further information regarding this application.

Best Regards,

Name: Sarah Wang

Funtion: Regulatory Compliance Manager

Date: 2024-05-24

*Sarah Wang*

Signed :