



东莞市新盛电子有限公司

Dongguan City Xinsheng Electronics Co.,Ltd

客户名称 Customer: gongjin

客户料号 Customer Material number: 8000000034601341

物料名称 Material name: internal antenna

物料型号 Material type: 400621-22628-01

物料描述 Material description: Internal Antenna, 3.0dBI@5.15GHz, 50Ω, FR4, 17.5*9.8*0.8mm, L=100mm, RF113, White, IPEX, EmP242-B-I100 (W) (Xinshen), T&W-researched

版本 Edition: V1

供 应 商 承 认 The supplier acknowledge	
工 程 Engineering	批 准 Approval
袁裕深	叶晔
盖章签署 Signed	
日 期 Date	2021-4-19

供应商名称 Supplier name: 东莞市新盛电子有限公司

Dongguan City Xinsheng Electronics Co.,Ltd

供应商地址 Supplier Address: 东莞市大岭山镇大塘朗管理区六村

6Village, Datanglang District, Dalingshan, Dongguan, Guangdong, PRC

电 话 Telephone: 886-769-85639708 85639728

传 真 Fax: 886-769-85652960

网 址 Website: <http://www.hsinec.com>

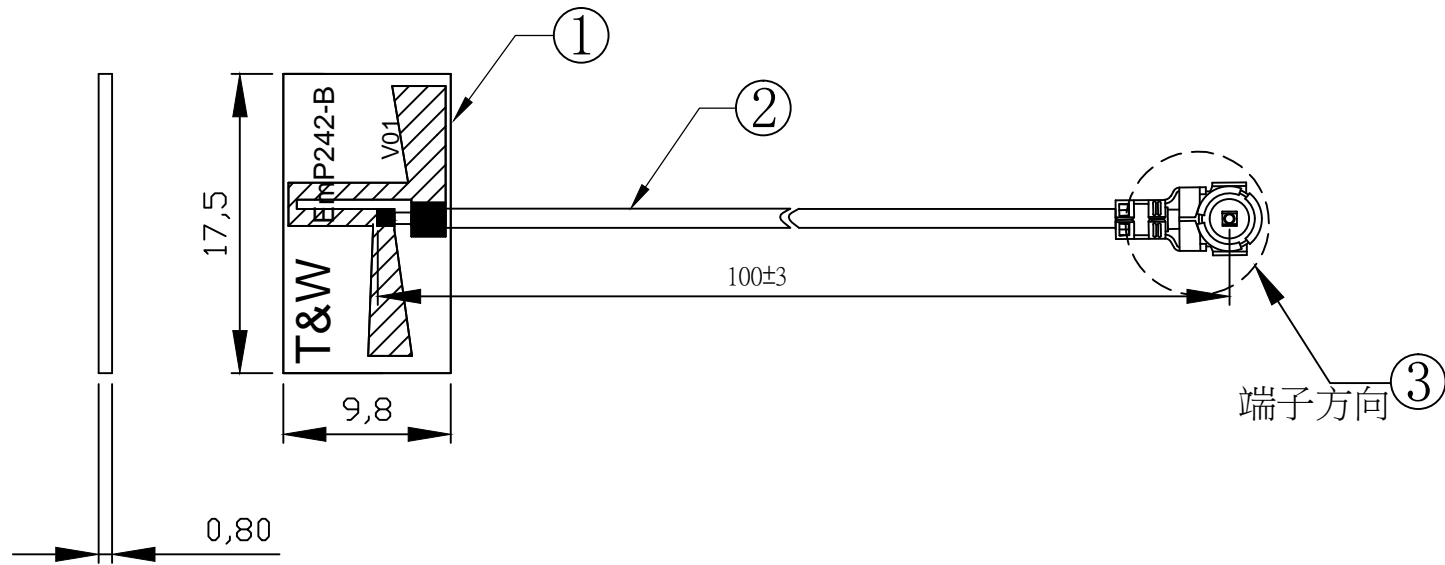
电子邮箱 E-mail: zll@hsinec.com





Specification

1. Antenna Electrical Properties:		
1.1	Frequency	5.15-5.85GHz
1.2	Impedance	50 ohm Nominal
1.3	VSWR	1.92:1 Max
1.4	Return Loss	-10 dB Max.
1.5	Polarization	Line
1.6	Gain	3.24dBi
2. Physical Properties:		
2.1	Operating Temperature	-30~+60°C
2.2	Storage Temperature	-30~+70°C
2.3	Humidity	≤95% @ 25°C
2.4	Cable Length	100mm
2.5	Cable	1.13 Coaxial Cable
2.6	Connector	IPEX

REV	DATE	DESCRIPTION
A	2020-11-9	New Issue
B	2020-12-8	应客户要求修改线材颜色



 铜箔双面黑油
 馈线焊盘，露铜箔

Specification:
 Frequency Range: 5.15GHz~5.85GHz.
 Return Loss: -10db or less
 VSWR: 1.92 or less

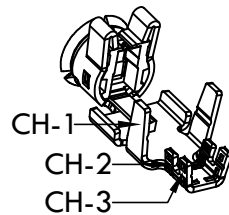
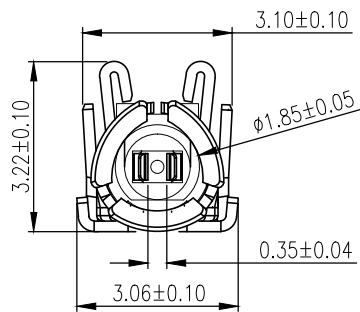
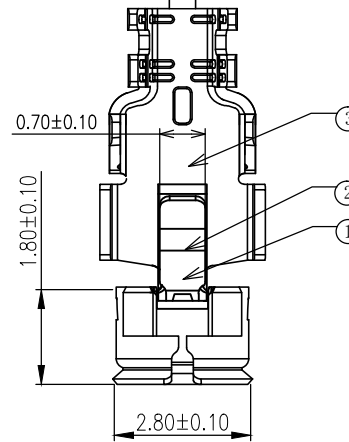
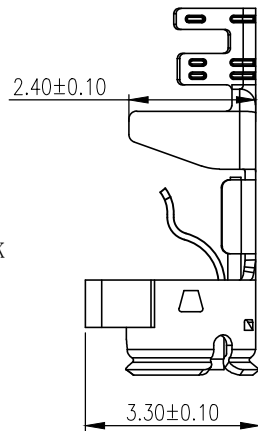
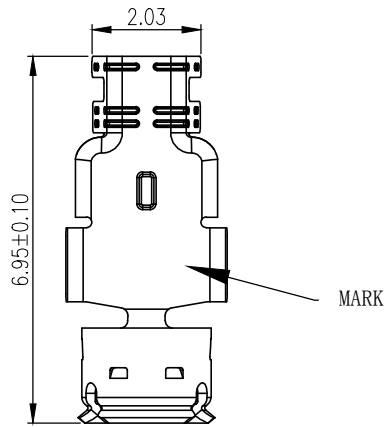
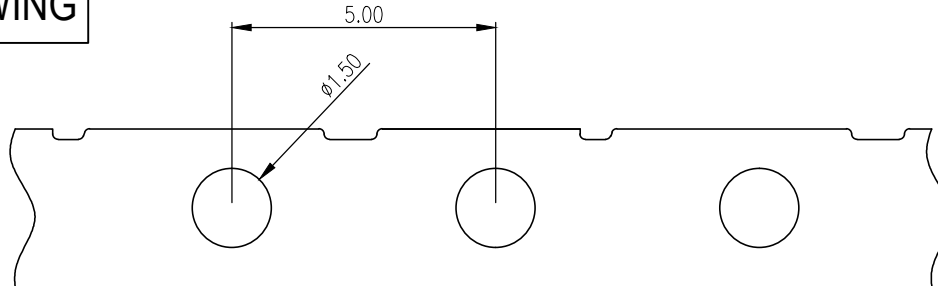
NO	DESCRIPTION	QTY	REMARK
3	MHF IPEX	1	
2	Cable RF113, 50ohm, White	1	
1	PCB 17.5*9.8*0.8mm, FR4	1	

XX.	±5.0	APPROVED	CUSTOMER: 共进		
X.	±3.0		PART NO : 800000034601341		
.X	±0.25	CHECKED	PART NAME: RF Antenna Assembly		
.XX	±0.1		X.S P/NO : 400621-22628-01		
.XXX	±0.05	DRAWING	REV	UNIT	FILE :
			B	mm	SHEET : 1/1

CUSTOMER DRAWING

Rev.	ECN No.	DESCRIPTION
A	2018/08/27	New Issue

HSF



Notes:

- 1: Material and finish(Plating)
- △ Housing: PBT (Black) UL94V-0.
- △ Shell: Phosphor bronze: Au over Ni
- △ Contact: Phosphor bronze: Au over Ni
- 2: Impedance: 50 OHM Nominal
- 3: Frequency Rating: DC TO 6 GHZ
- 4: VSWR: DC -- 3GHz 1.3max.
3 GHz -- 6GHz 1.5max.
- 5: Cable retention force 10N min.
- 6: The harmful material of this part should be compliance with CCT document QW-QA-10.

PRODUCT NUMBER ORDER

ANC 0 113 L - 1 2 1
 ① ② ③ ④ ⑤ ⑥ ⑦

- ① Production Code :
ANC: ANTENNA PLUG for cable
- ② Height after mated broad end :
0 : SPEC.
- ③ Mitch Cable ϕ :
113: Cable ϕ 1.13mm
- ④ Shell Gold Plating Thickness :
L: Plating Gold 0.5 μ " min.
- ⑤ Product design generation:
1: First generation.
- ⑥ Customer identification code:
2: Another CUS
- ⑦ Color of Housing:
1: Black

TOLERANCES UNLESS OTHERWISE SPECIFIED

X.	/	.XXX	/
.X	± 0.25	X. $^{\circ}$	$\pm 1^{\circ}$
.XX	± 0.15	.X. $^{\circ}$	$\pm 0.5^{\circ}$

THESE DRAWINGS AND SPECIFICATIONS ARE THE PROPERTY OF KUNSHAN COCENTRA ELECTRONICS Co.LTD. AND SHALL NOT BE REPRODUCED, COPIED OR USED IN ANY MANNER WITHOUT THE PRIOR WRITTEN CONSENT OF KUNSHAN COCENTRA ELECTRONICS Co.LTD.

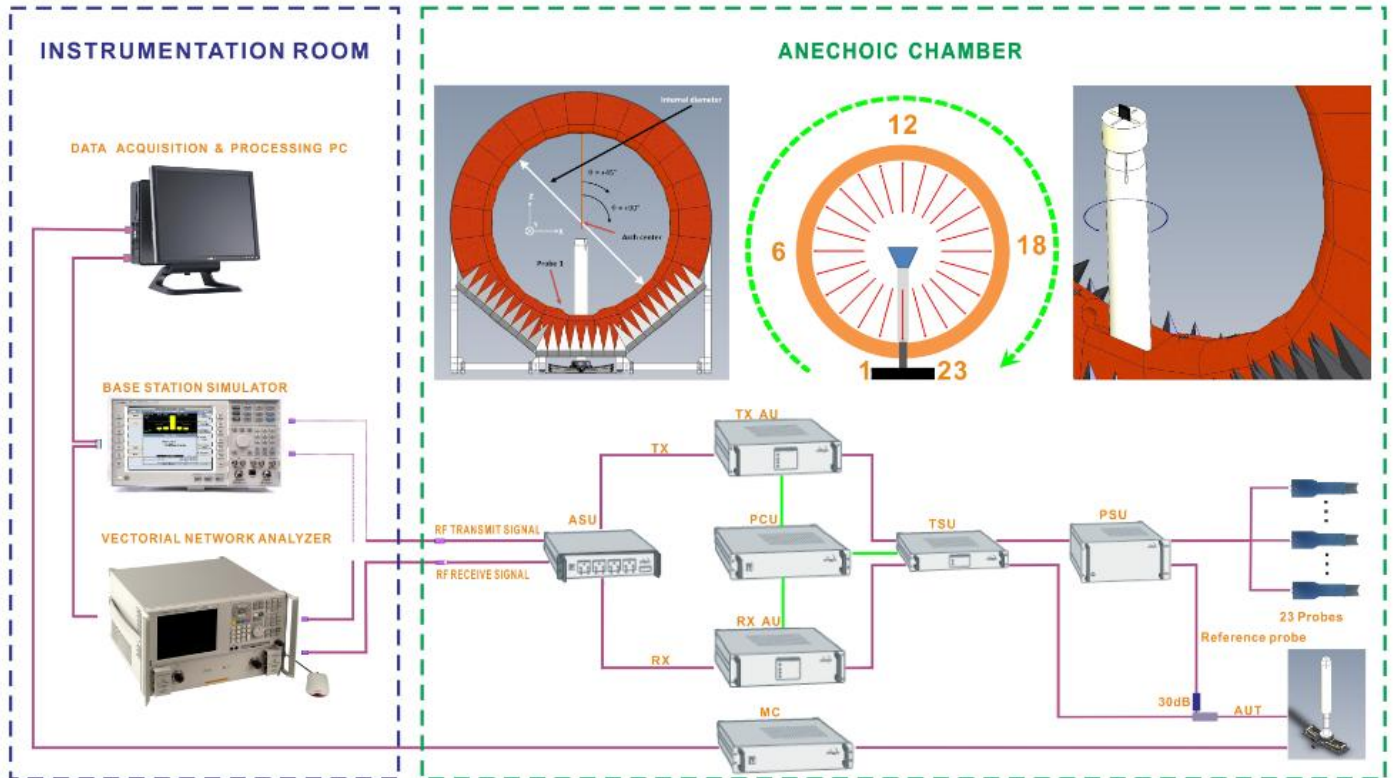
SERIES: ANTENNA CABLE END SERIES		TITLE: AN Plug for OD 1.13mm			
APPD:		PART No.:			
CKD:		2212-0215004-01			
DR:		DWG No.:			
UNITS	MAT'L	FINISH	SCALE	SHEET	REV.
MM	NA	NA	1:1	1/1	DX1

CH-1	1.34-1.40	Unit: mm
CH-2	1.02-1.10	
CH-3	1.10-1.25	



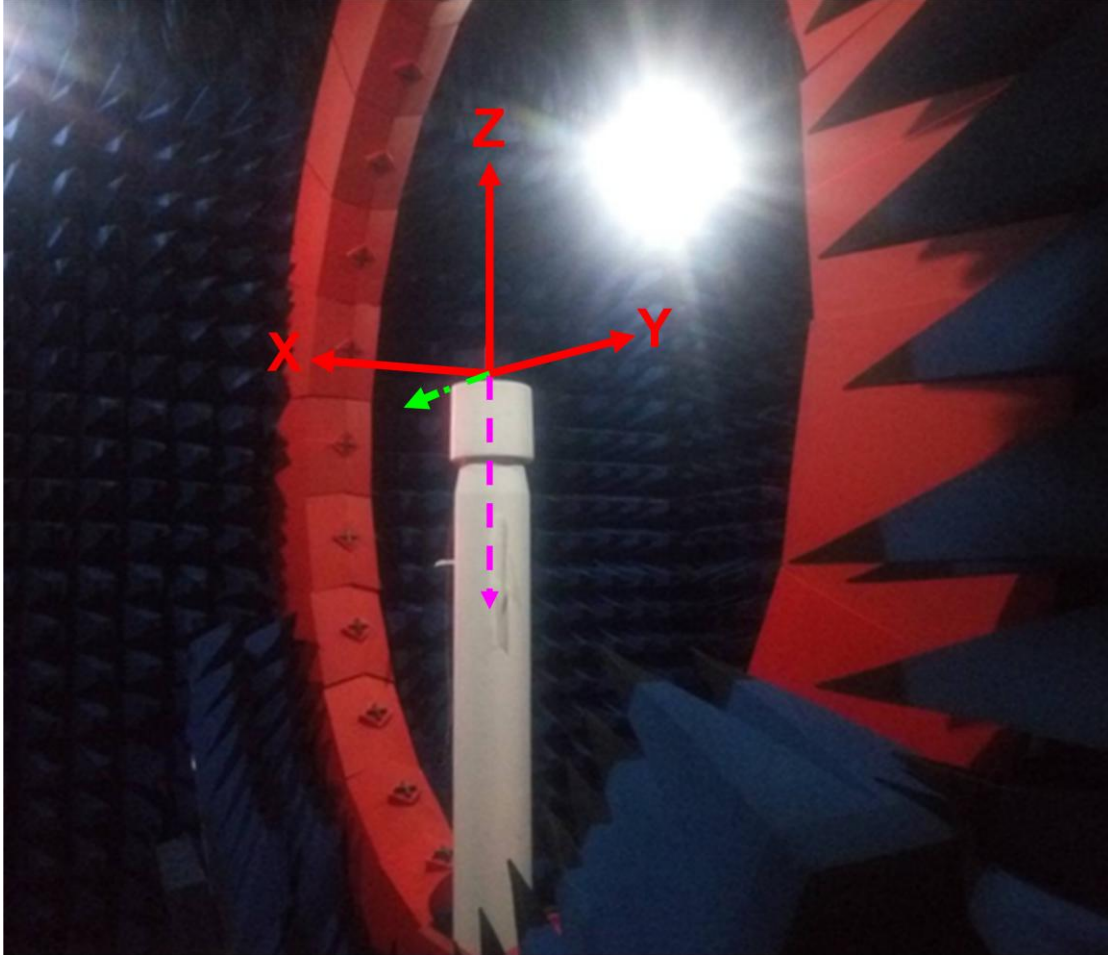
5Test Results

Antenna 1 Test Setup



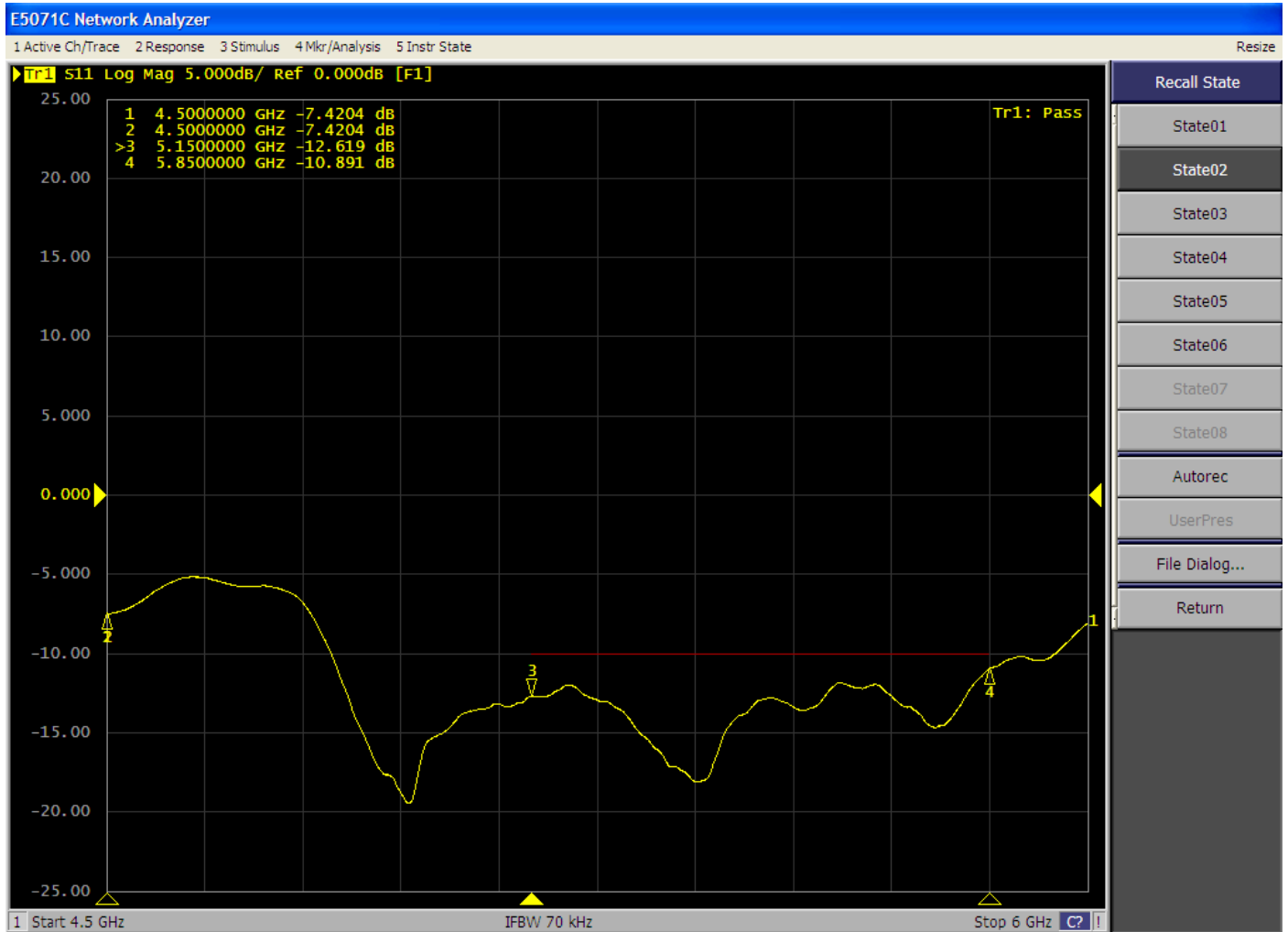


Configuration and Coordinate





2. Antenna S-parameter test results



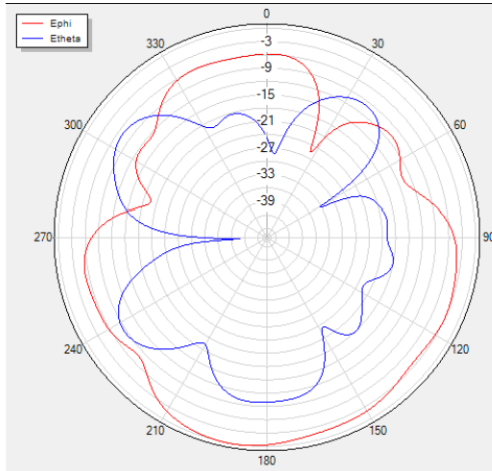


東莞市新盛電子有限公司

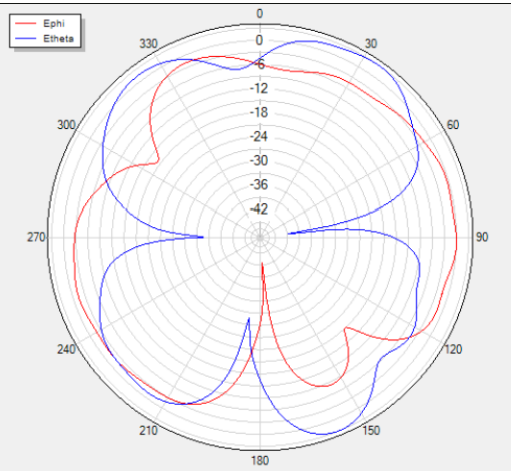
Dongguan City Xinsheng Electronics Co.,Ltd

3. 2D Radiation patterns test results (Passive Antenna)

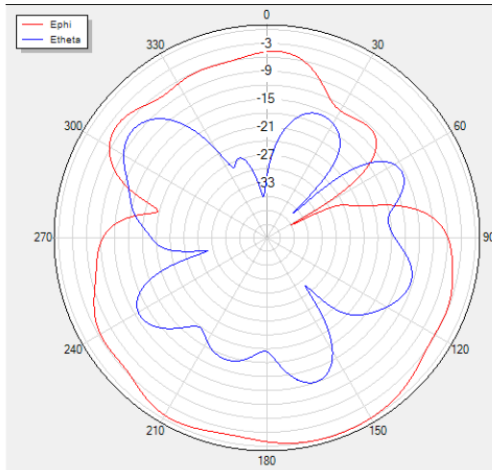
H Theta=90 freq=5150MHz



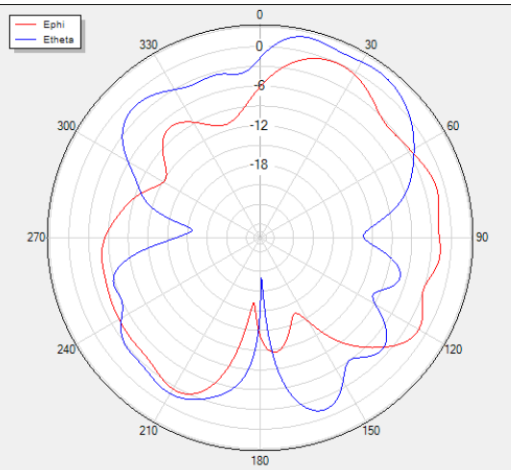
V Phi=90 freq=5150MHz



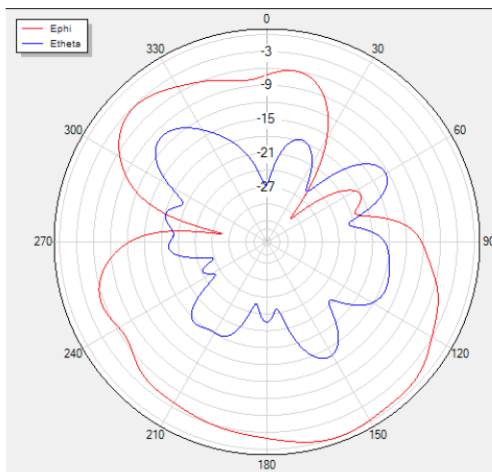
H Theta=90 freq=5550MHz



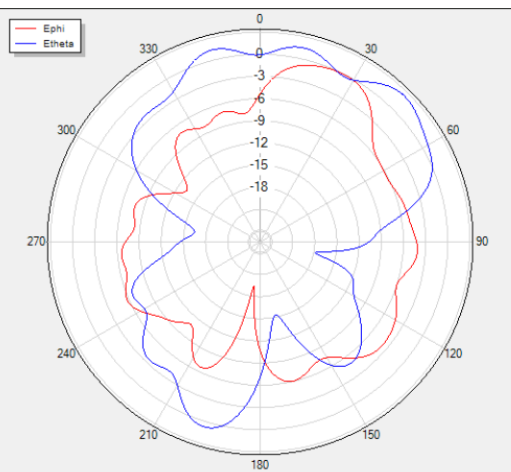
V Phi=90 freq=5550MHz



H Theta=90 freq=5850MHz



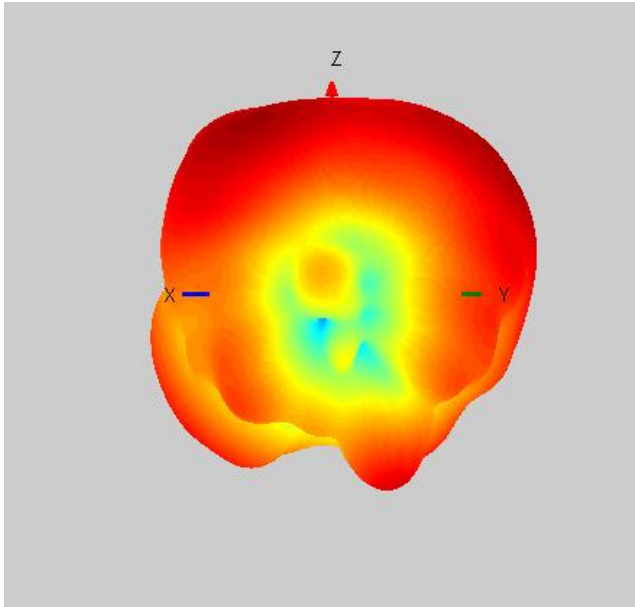
V Phi=90 freq=5850MHz



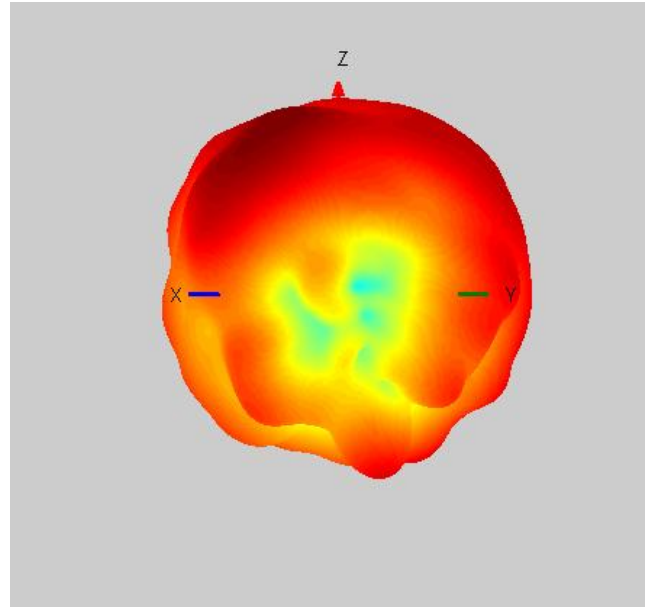


4. 3D Radiation patterns test results (Passive Antenna)

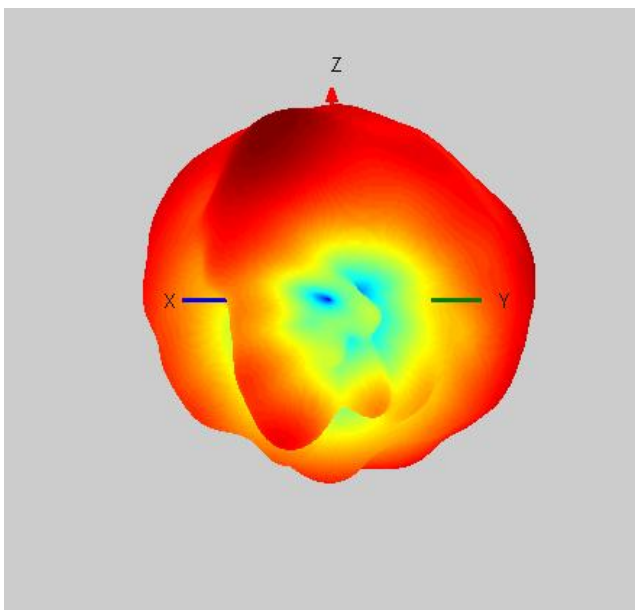
5150MHZ



5550MHZ



5850MHZ





5.Test Value

gain @efficiency 增益和效率		
frequency 频率(Hz)	gain 增益(dBi)	efficiency 效率
5150M	3.05	73%
5350M	3.10	73%
5550M	3.24	72%
5750M	3.13	72%
5850M	3.09	73%