

HT-580AXT – Antenna passive pretest report

V1.2

Report version update resume



NO.	Modify description	Modifier	Date
V1.0	Initial issue	Xieji	2022.2.21
V1.1	Update antenna report	Wen	2023.10.18
V1.2	Update antenna report	Wen	2024.04.02

CONTENTS

- ◆ **Purpose & Environment**
- ◆ **DUT Antenna**
- ◆ **Return Loss and Isolation**
- ◆ **2D&3D Radiation Pattern**
- ◆ **Peak Gain and Efficiency**
- ◆ **Summary**

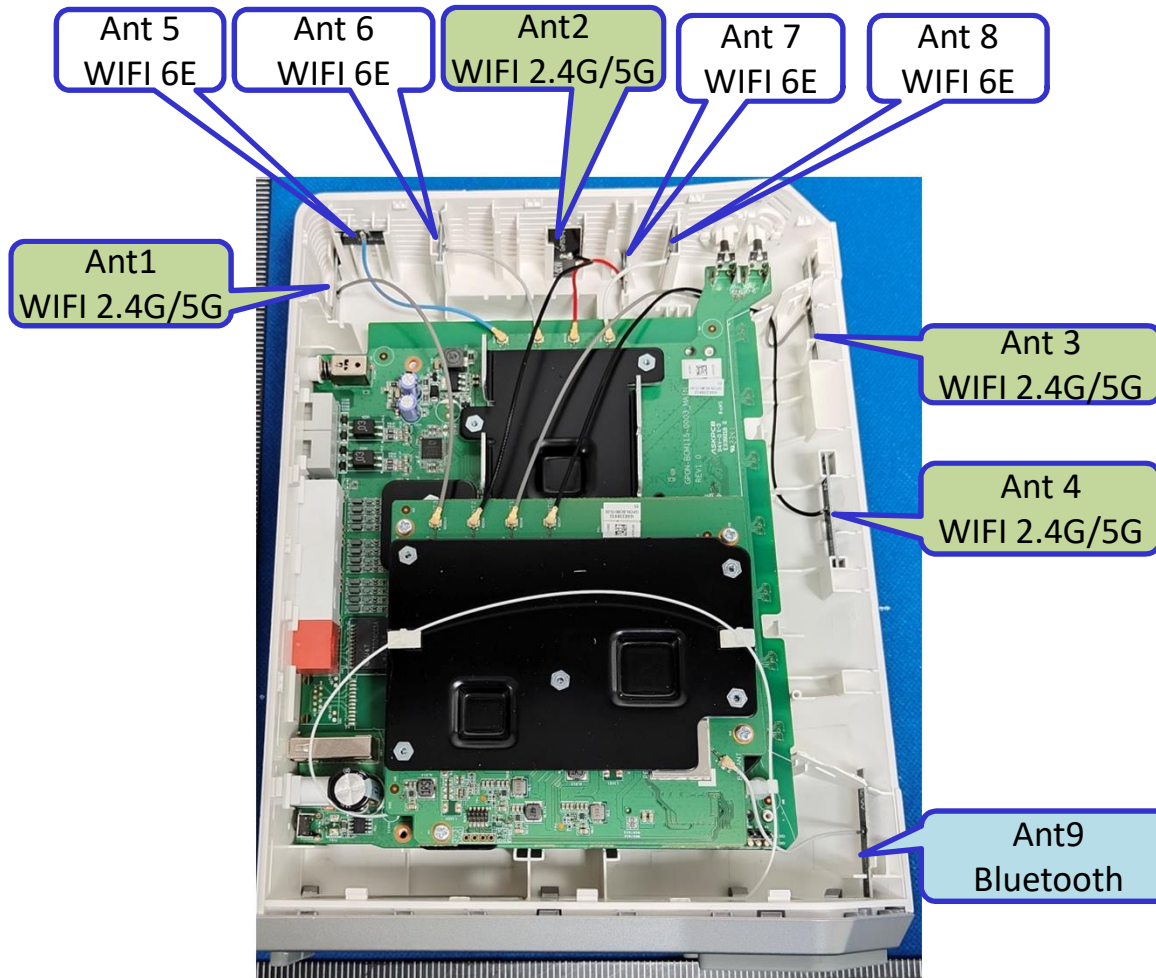
Purpose

- Meet the electrical performance index ;
- Confirm the antenna scheme to meet the design requirements;

Environment

- Test Condition: the network analyzer(E5071C) and SATIMO microwave anechoic chamber
- Passive measurement results are presented

DUT Antenna



NO.	Frequency	Polarization
ANT1	2.4GHz-2.5GHz 5.15GHz-5.85GHz	Linear polarization
ANT2	2.4GHz-2.5GHz 5.15GHz-5.85GHz	
ANT3	2.4GHz-2.5GHz 5.15GHz-5.85GHz	
ANT4	2.4GHz-2.5GHz 5.15GHz-5.85GHz	
ANT5	5.91-7.125GHz	
ANT6	5.91-7.125GHz	
ANT7	5.91-7.125GHz	
ANT8	5.91-7.125GHz	
ANT9(BT)	2.4GHz-2.5GHz	

DUT Antenna



Antenna manufacturer :

Dongguan City Xinsheng Electronics Co.,Ltd,

Manufacturer address:

No.6 Village, Datanlang District, Dalingshan, Dongguan, Guangdong, China.

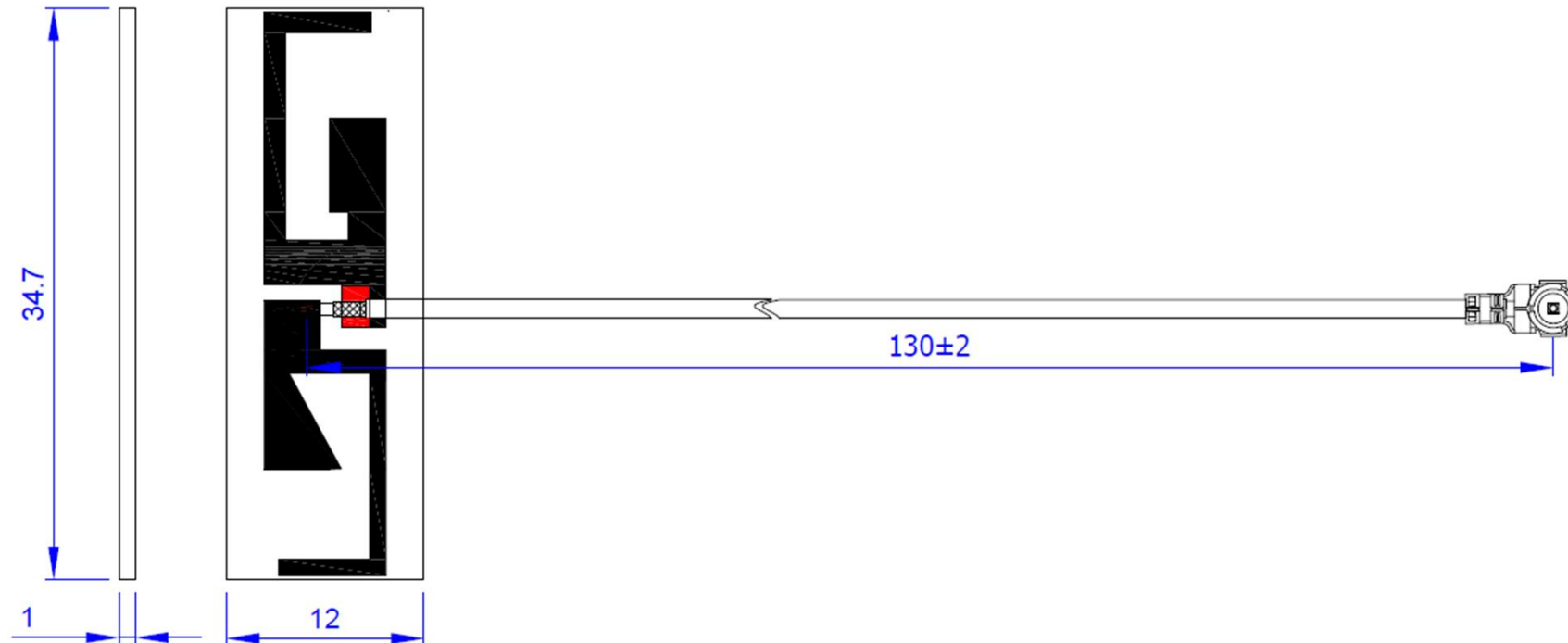
NO.	Frequency	Type	PCB size
ANT1	2.4GHz-2.5GHz 5.15GHz-5.85GHz	EmP357a-B-I130(G)	35*12*1mm
ANT2	2.4GHz-2.5GHz 5.15GHz-5.85GHz	EmP357b-B-I130(B)	40*8*1mm
ANT3	2.4GHz-2.5GHz 5.15GHz-5.85GHz	EmP357c-B-I185(G)	40*8*1mm
ANT4	2.4GHz-2.5GHz 5.15GHz-5.85GHz	EmP357d-B-I235(B)	40*8*1mm
ANT5	5.91-7.125GHz	EmP601e-B-I75(BI)	17.5*9.8*0.8mm
ANT6	5.91-7.125GHz	EmP601f-B-I60(G)	17.5*9.8*0.8mm
ANT7	5.91-7.125GHz	EmP601g-B-I55(R)	17.5*9.8*0.8mm
ANT8	5.91-7.125GHz	EmP601h-B-I45(W)	17.5*9.8*0.8mm
ANT9(BT)	2.4GHz-2.5GHz	EmP103-B-I75(G)	40*8*1mm

DUT Antenna

ANT1

Antenna dimension:

(Remark: for EmP357a-B-I130(G) the RF cable is 130mm)

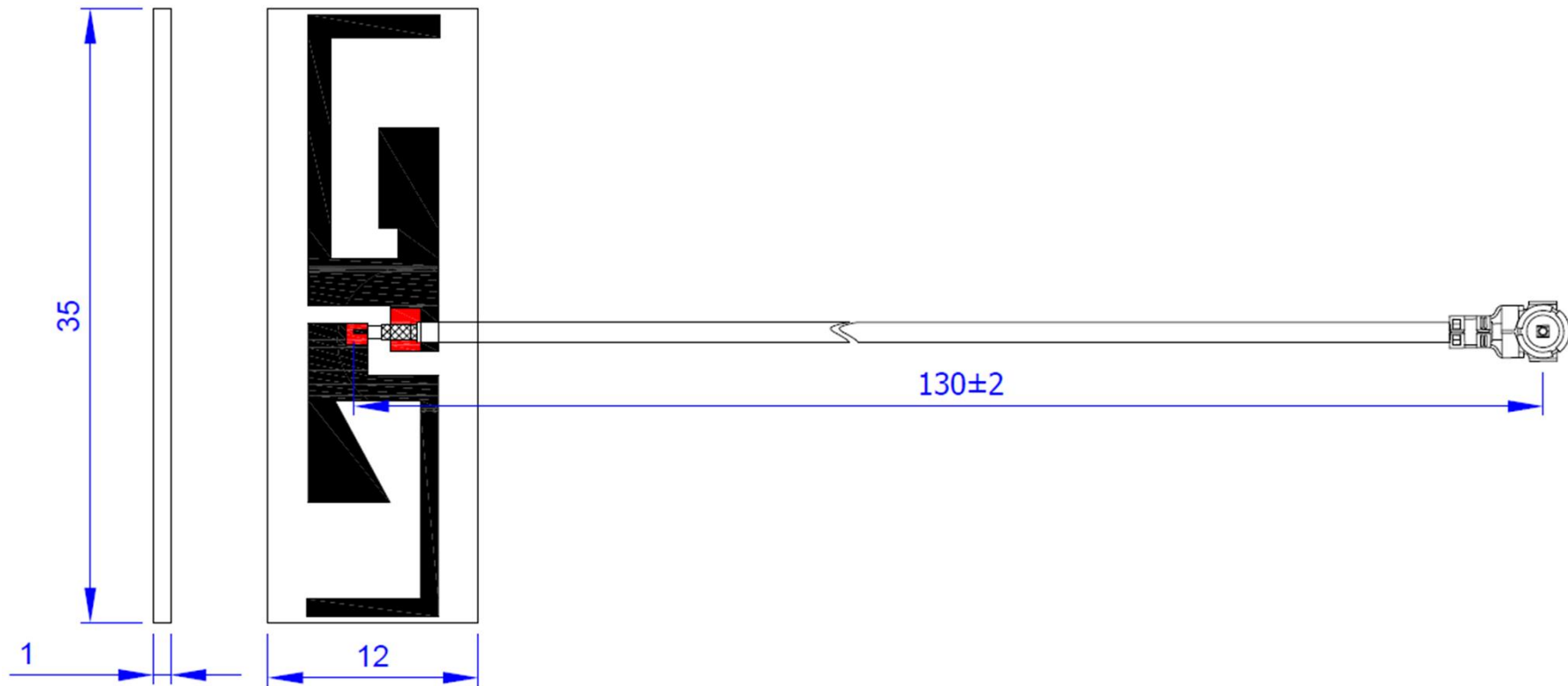


DUT Antenna

ANT2

Antenna dimension:

(Remark: for EmP357b-B-I130(B) the RF cable is 130mm)

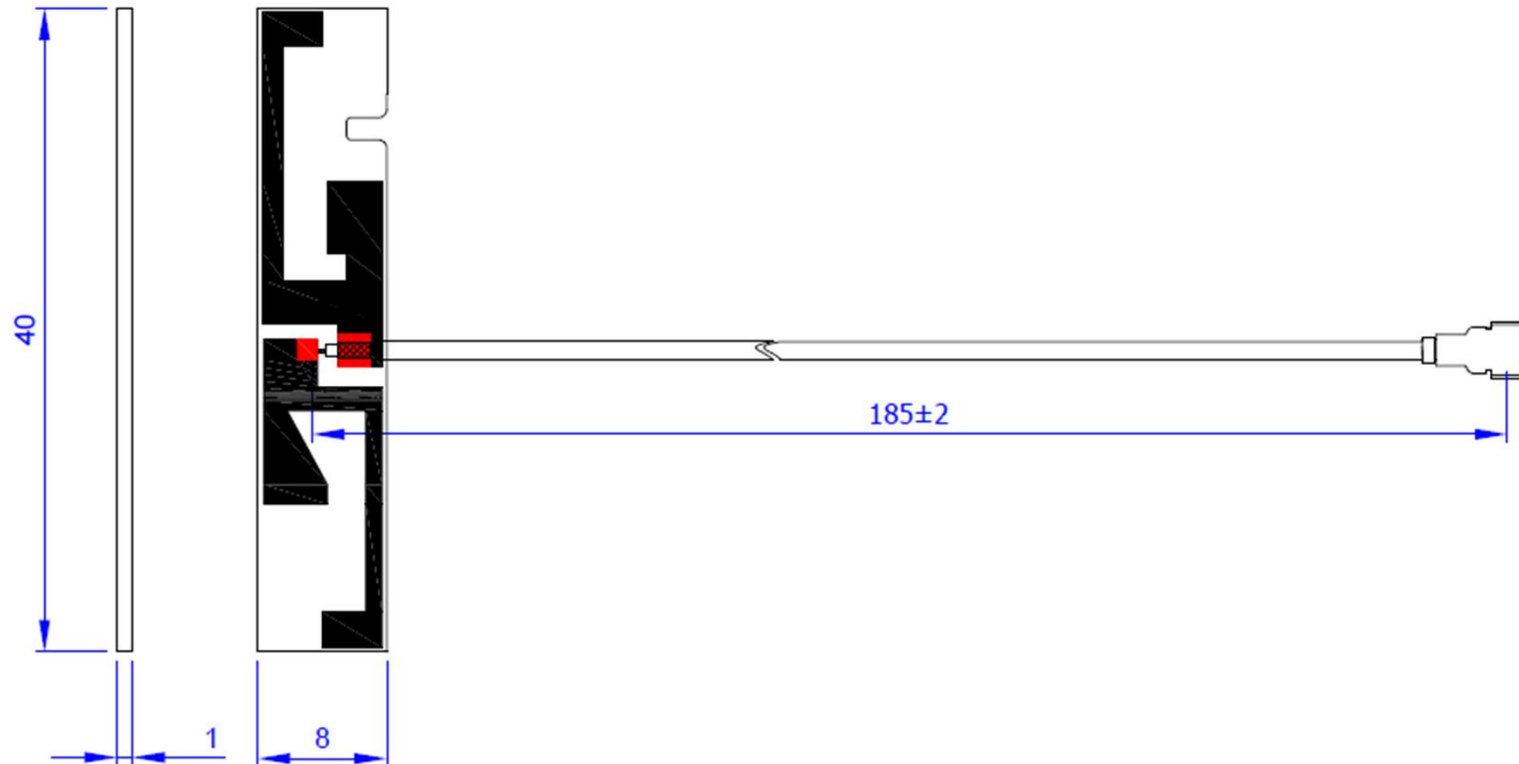


DUT Antenna

ANT3

Antenna dimension:

(Remark: for EmP357c-B-I185(G) the RF cable is 185mm)



DUT Antenna

ANT4

Antenna dimension:

(Remark: for EmP357d-B-I235(B) the RF cable is 235mm)

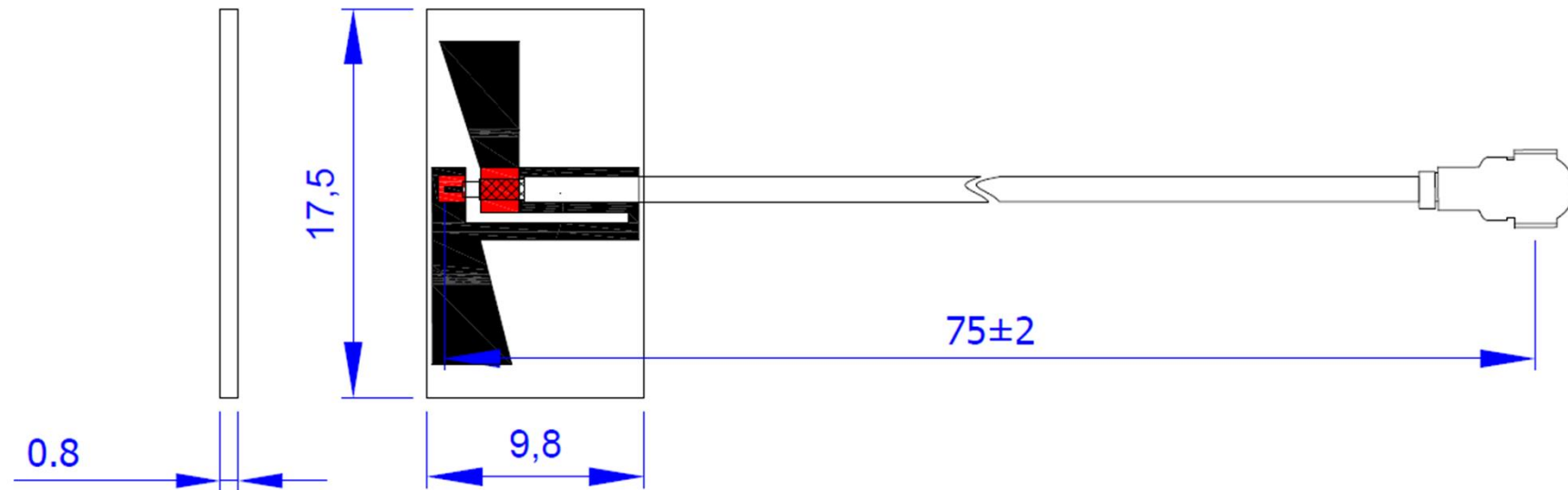


DUT Antenna

ANT5

Antenna dimension:

(Remark: for EmP601e-B-I75(BI) the RF cable is 75mm)

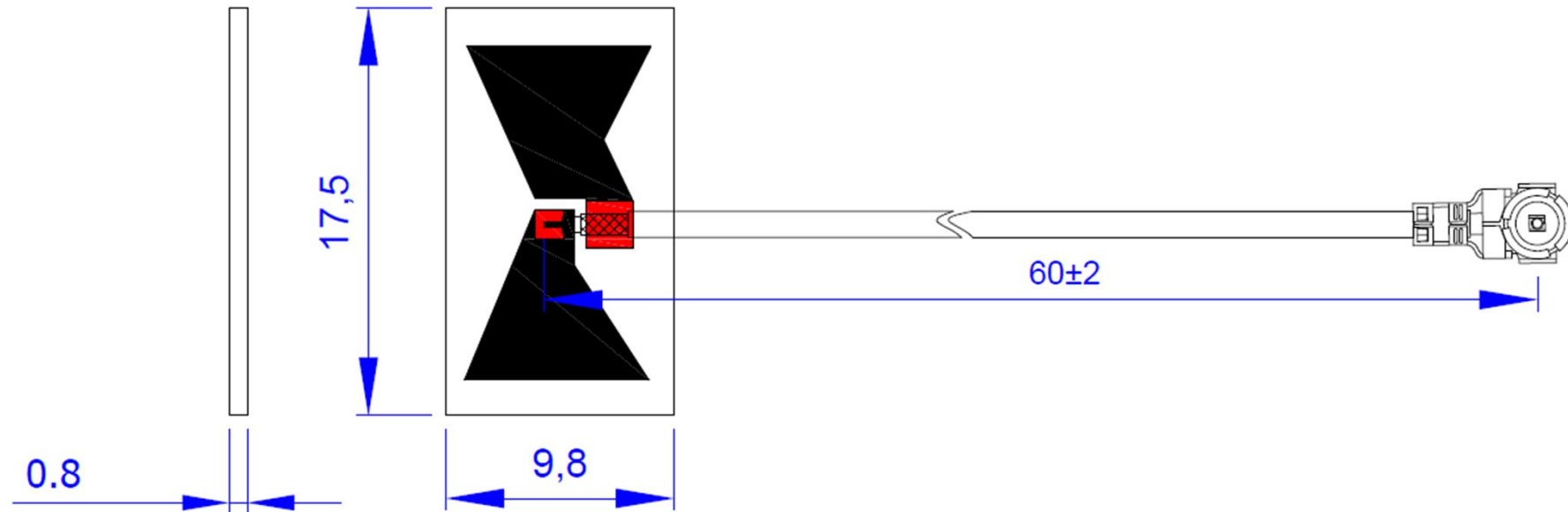


DUT Antenna

ANT6

Antenna dimension:

(Remark: for EmP601f-B-I60(G) the RF cable is 60mm)

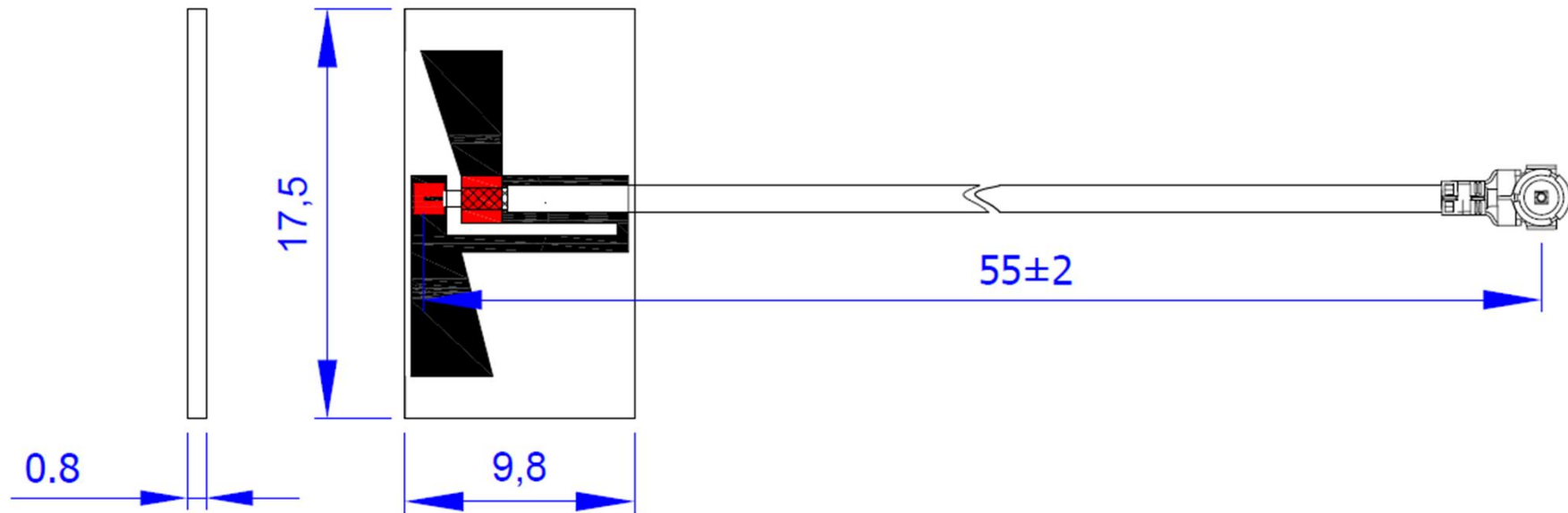


DUT Antenna

ANT7

Antenna dimension:

(Remark: for EmP601g-B-I55(R) the RF cable is 55mm)

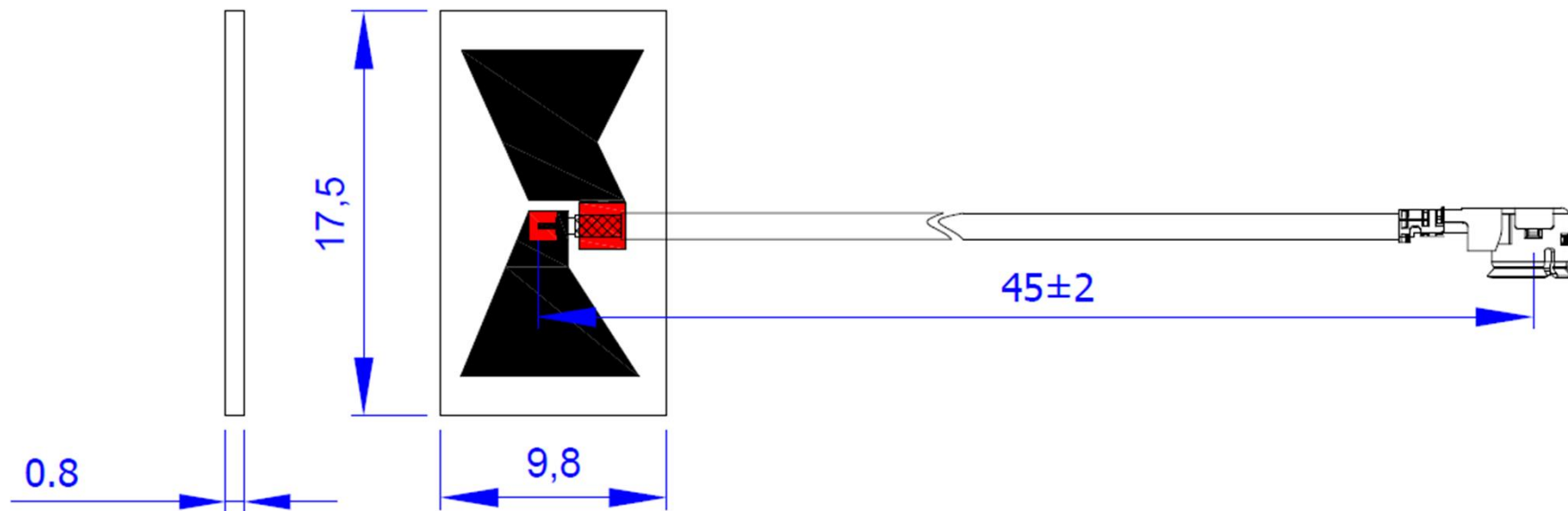


DUT Antenna

ANT8

Antenna dimension:

(Remark: for EmP601h-B-I45(W) the RF cable is 45mm)

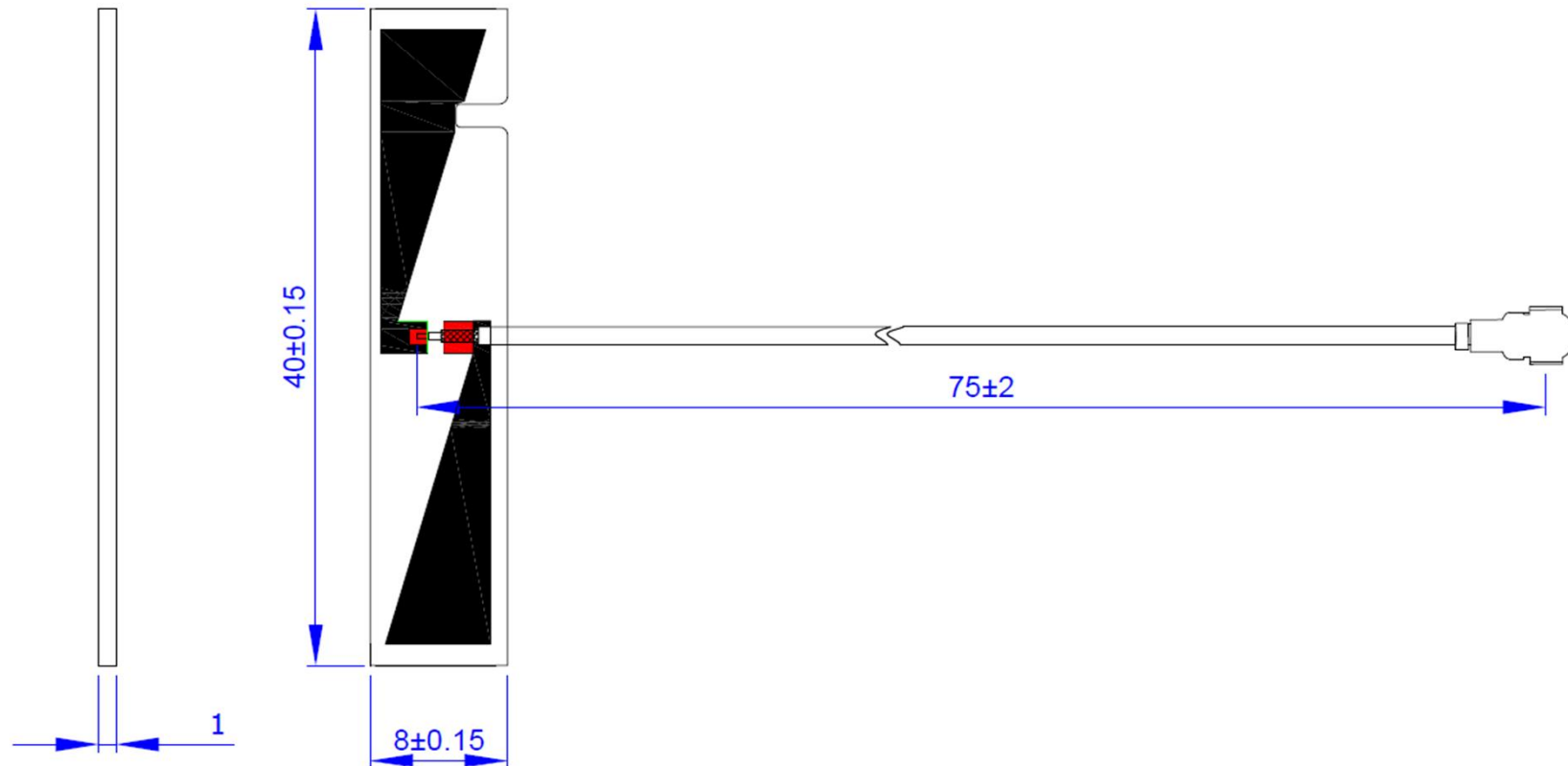


DUT Antenna

ANT9

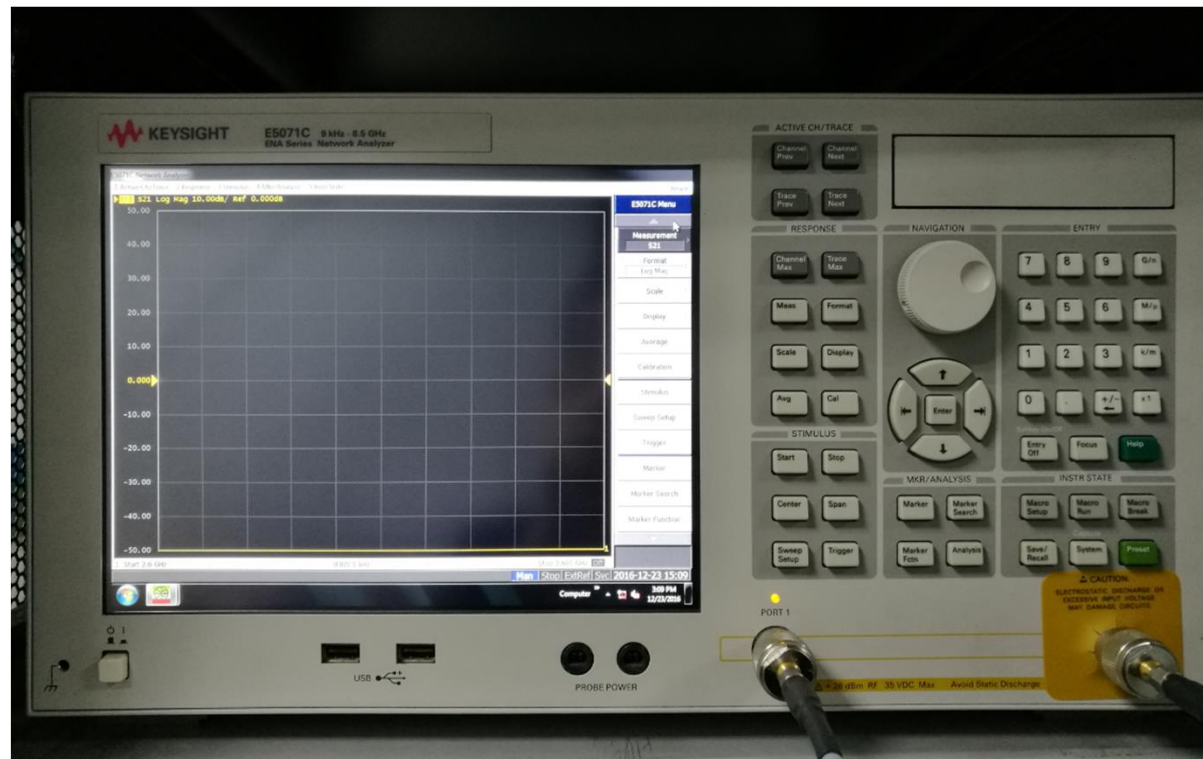
Antenna dimension:

(Remark: for EmP103-B-I75(G) the RF cable is 75mm)



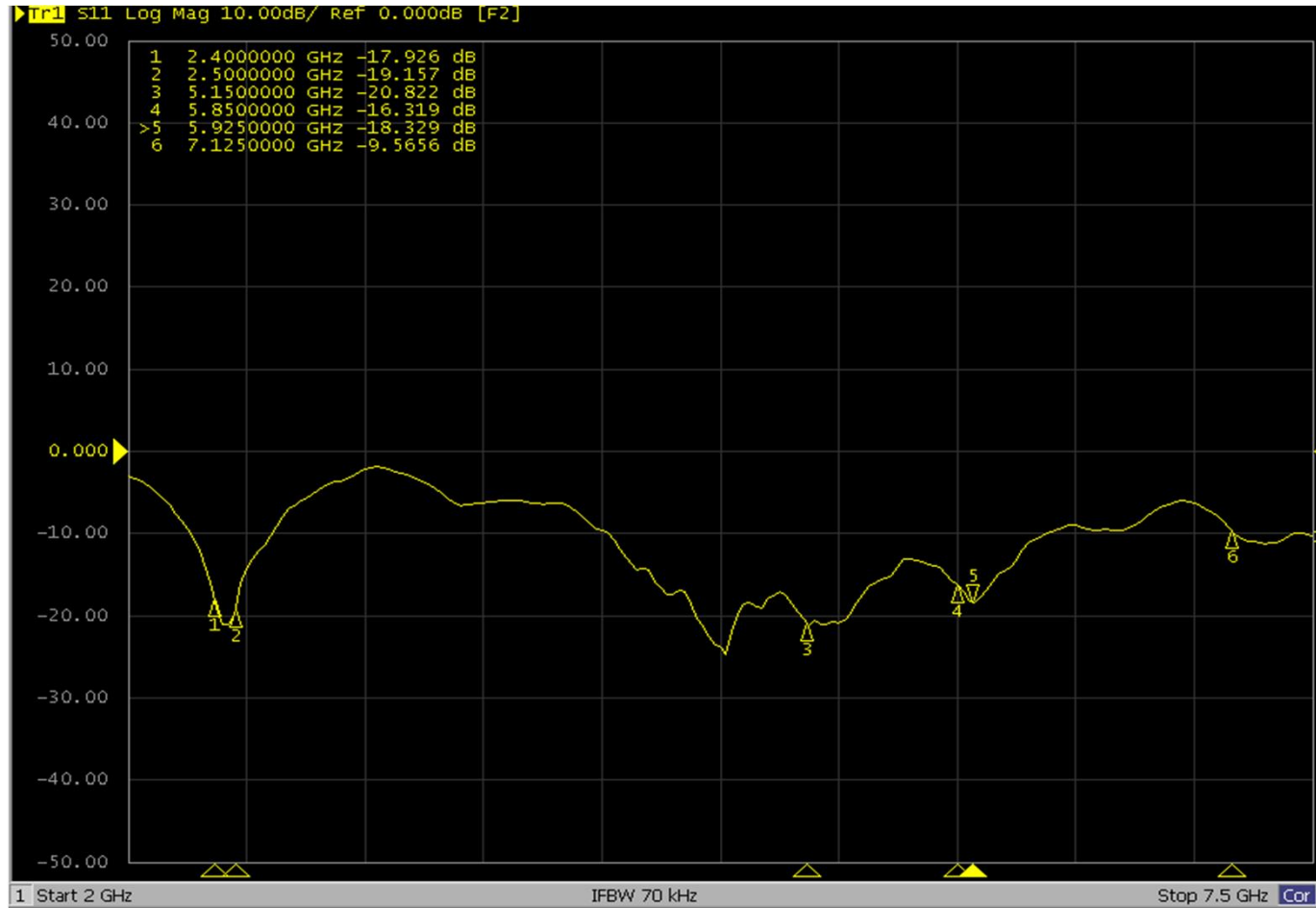
Return Loss and Isolation

Measurement Condition

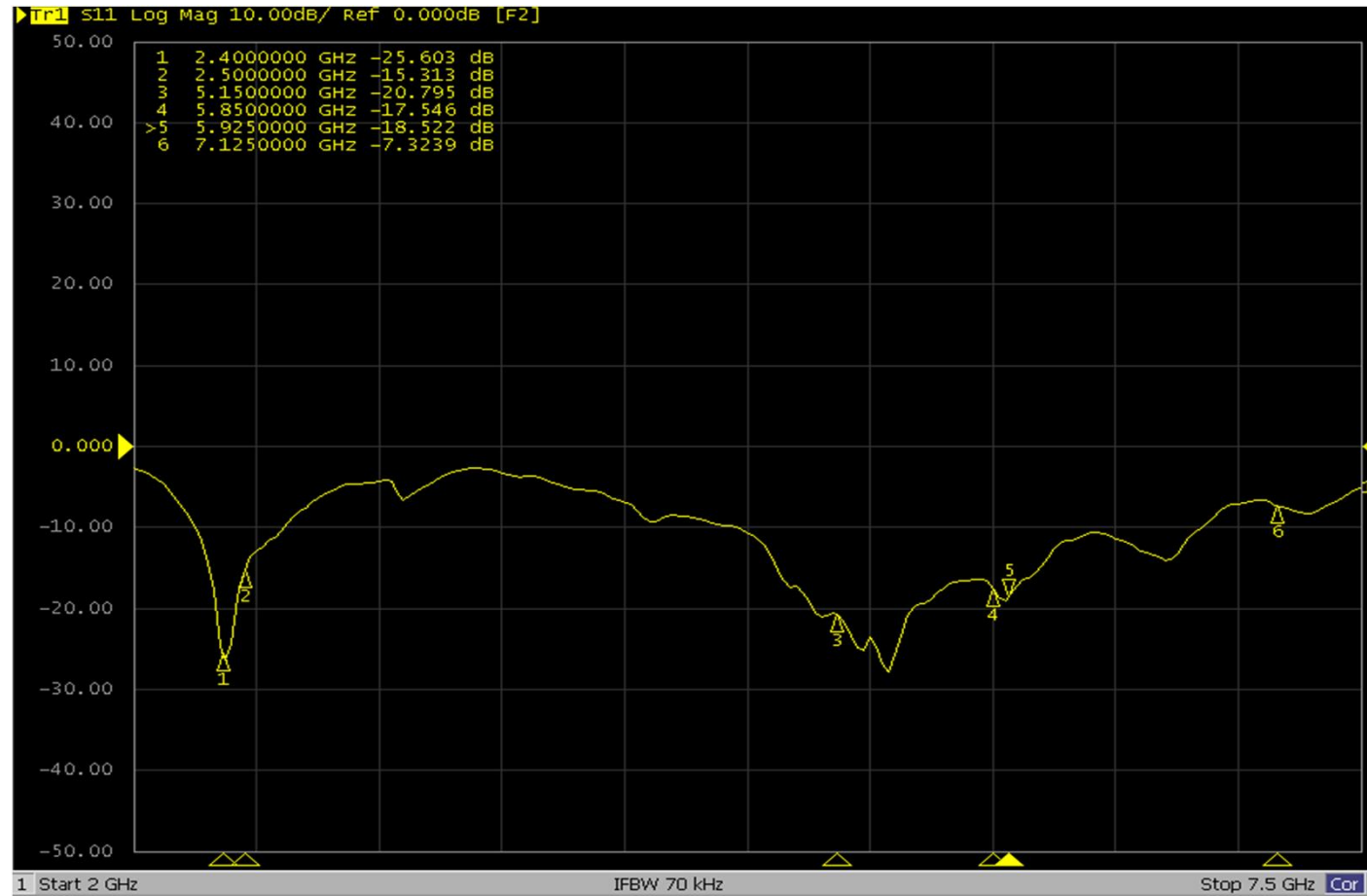


The network Analyzer

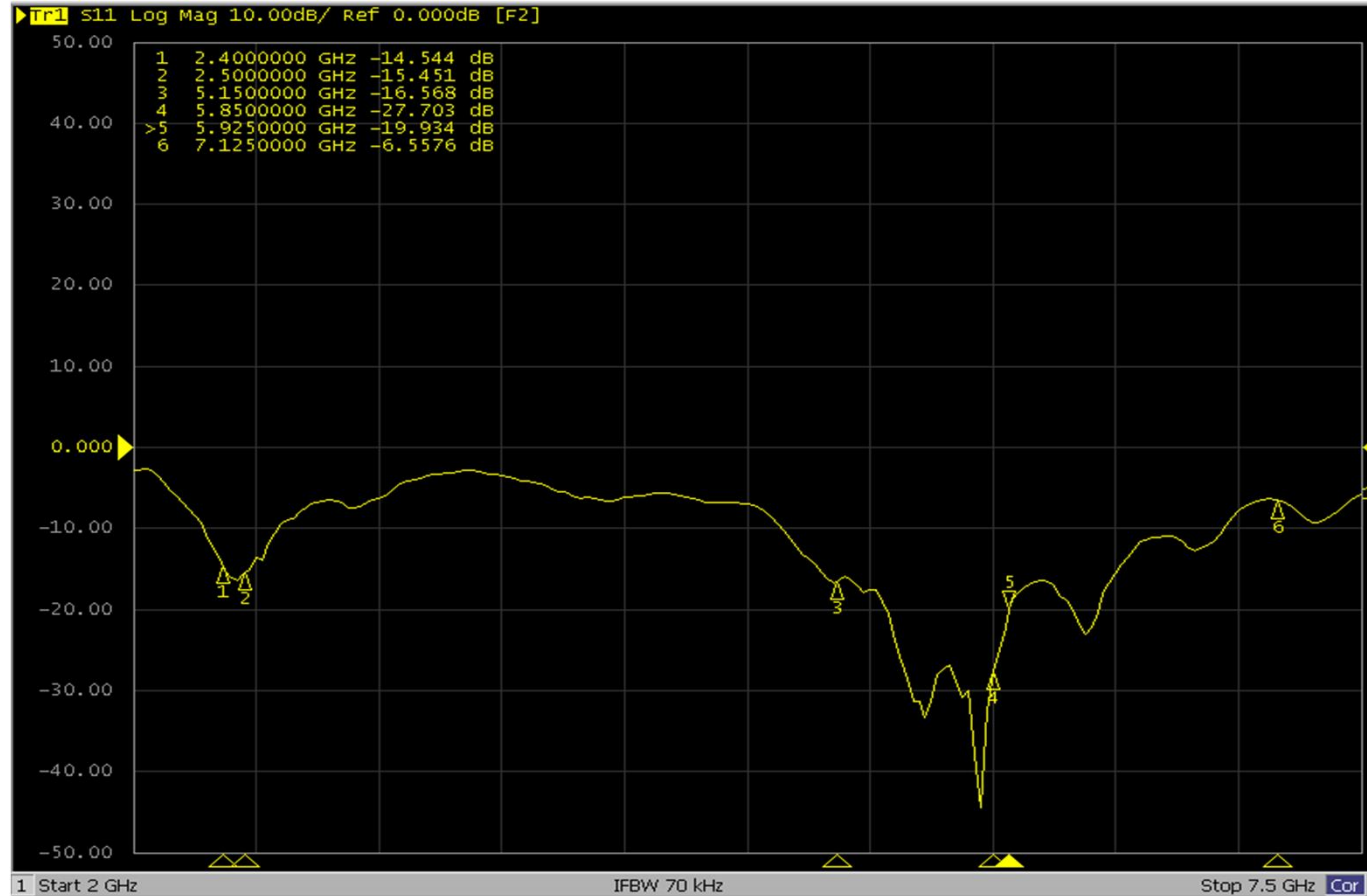
ANT1 Return Loss



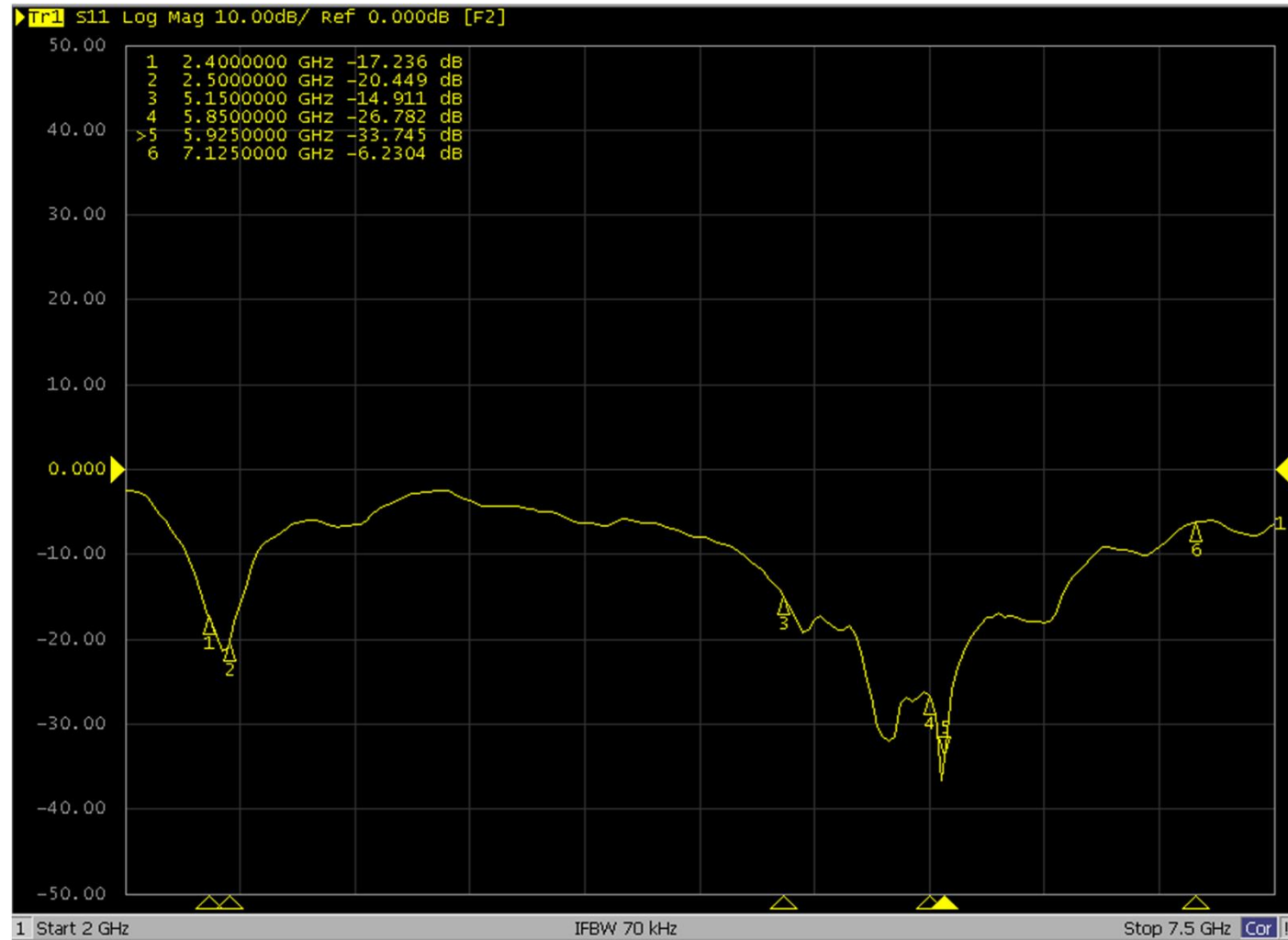
ANT2 Return Loss



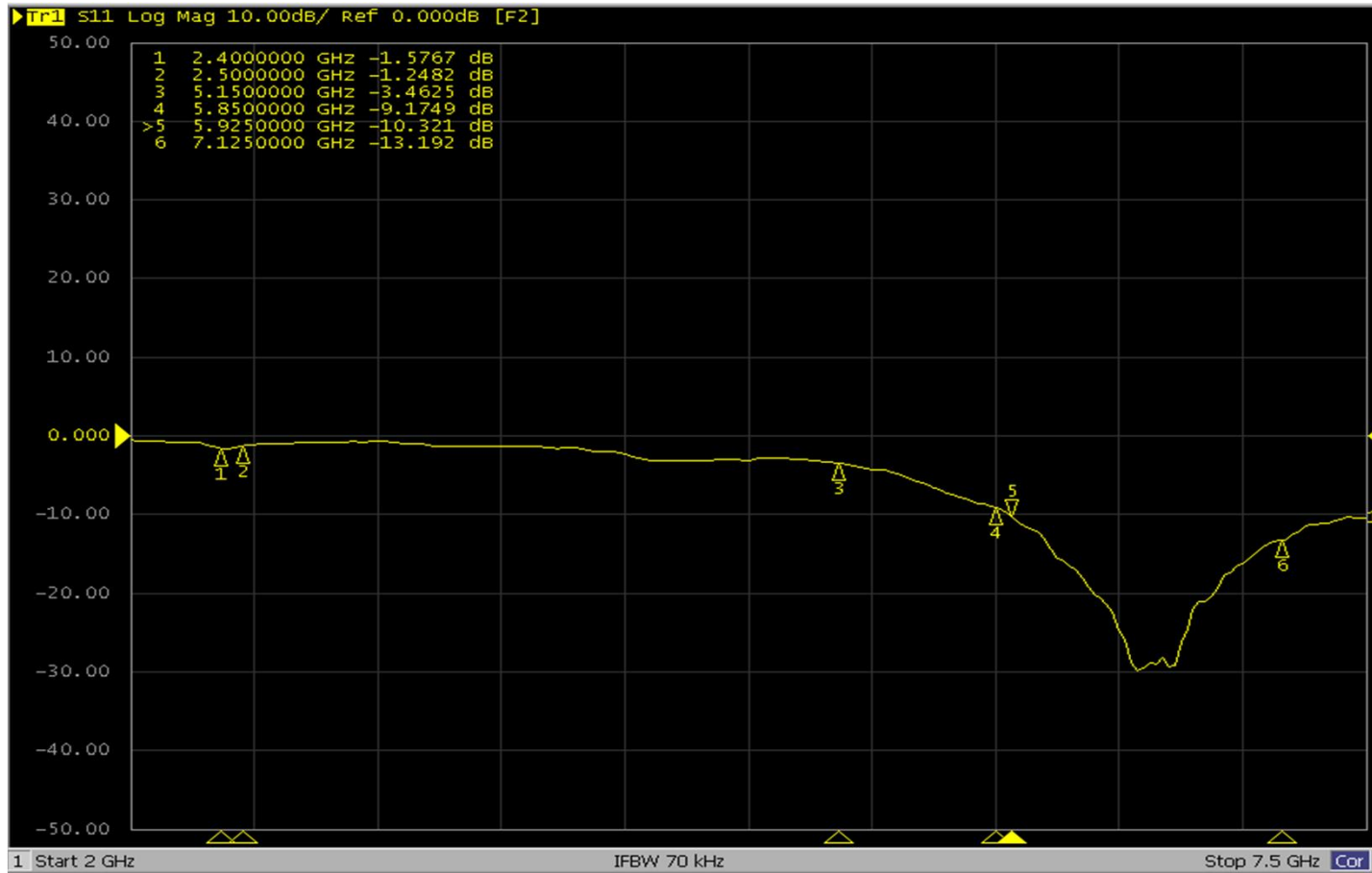
ANT3 Return Loss



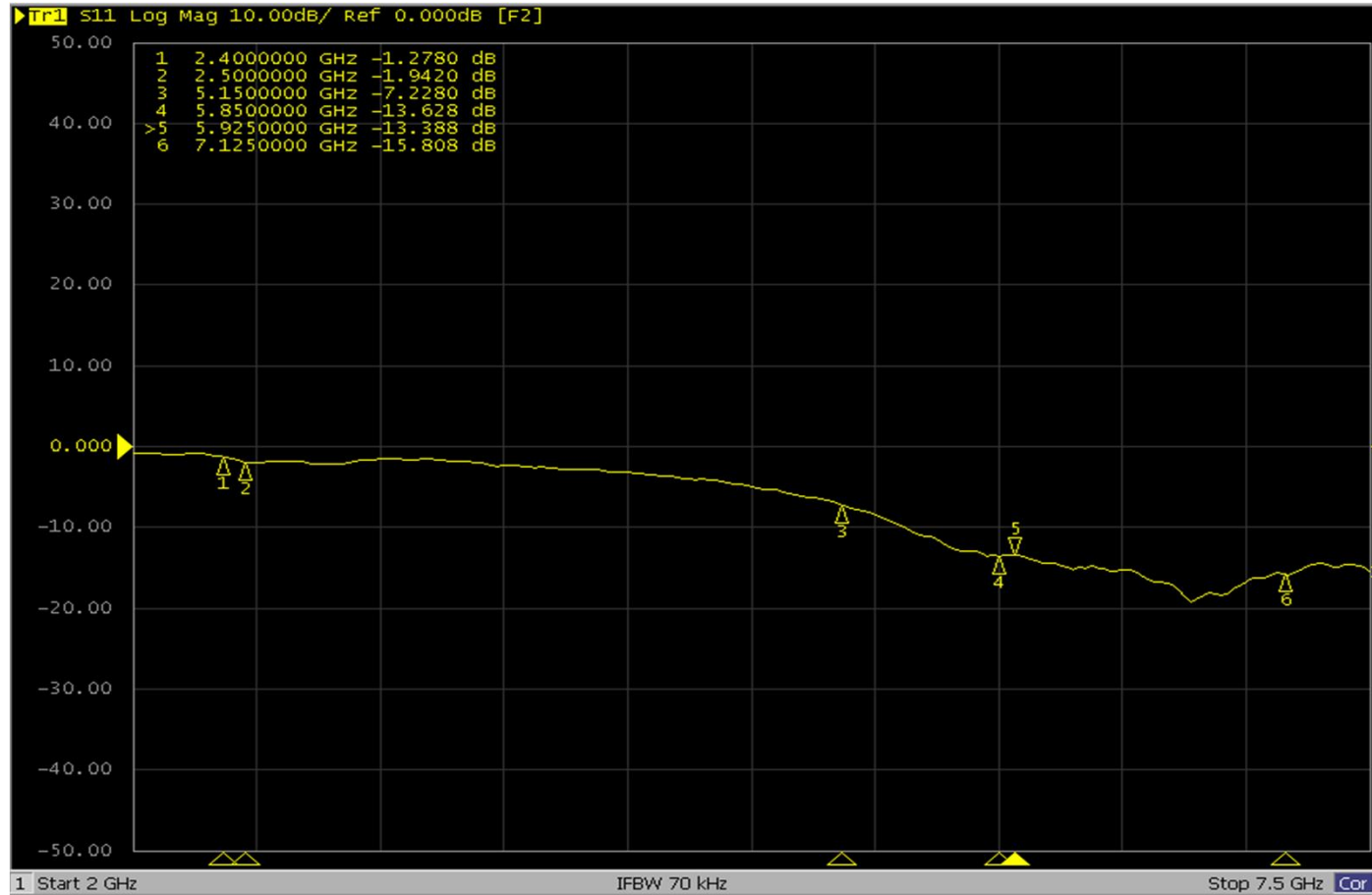
ANT4 Return Loss



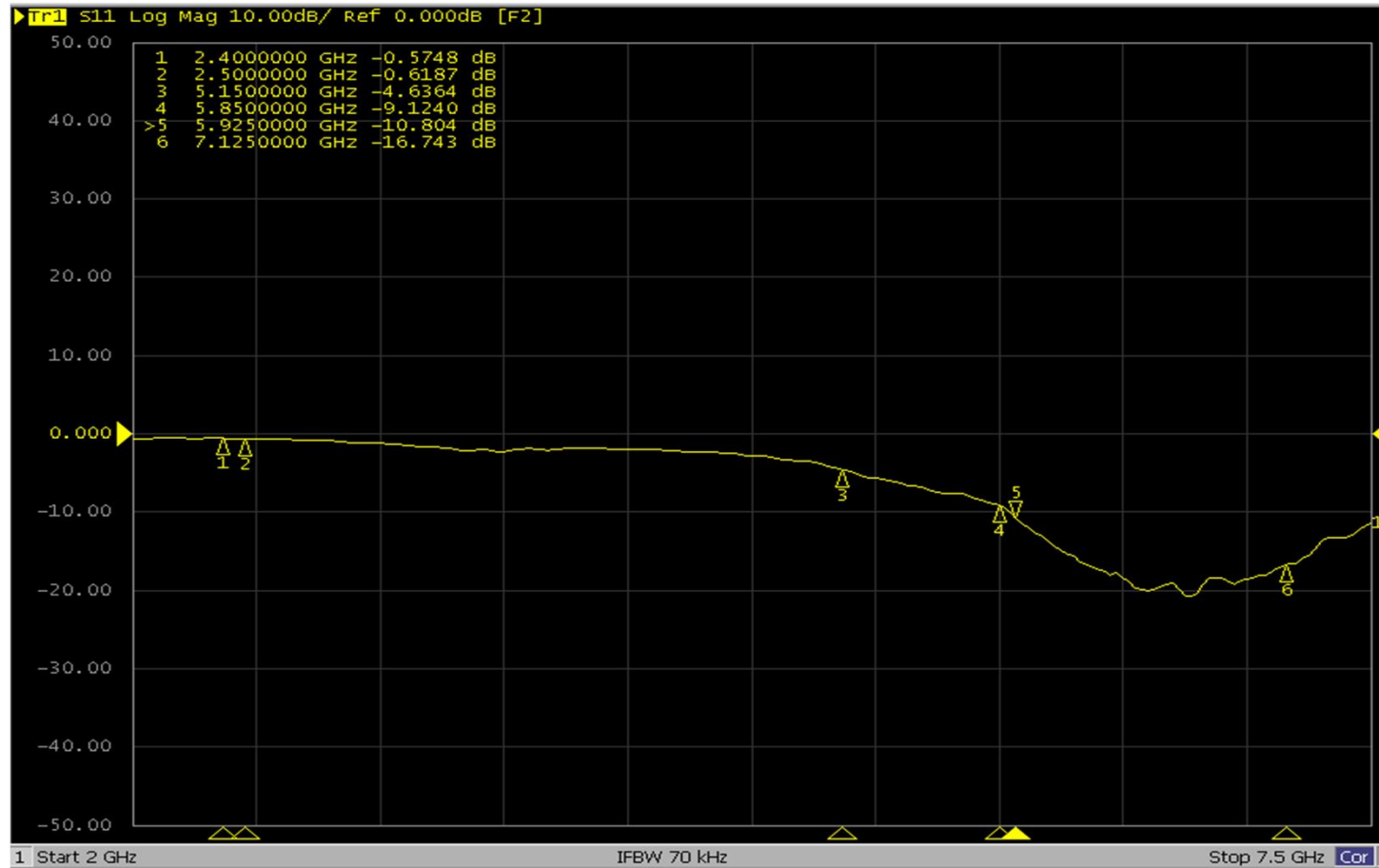
ANT5 Return Loss



ANT6 Return Loss



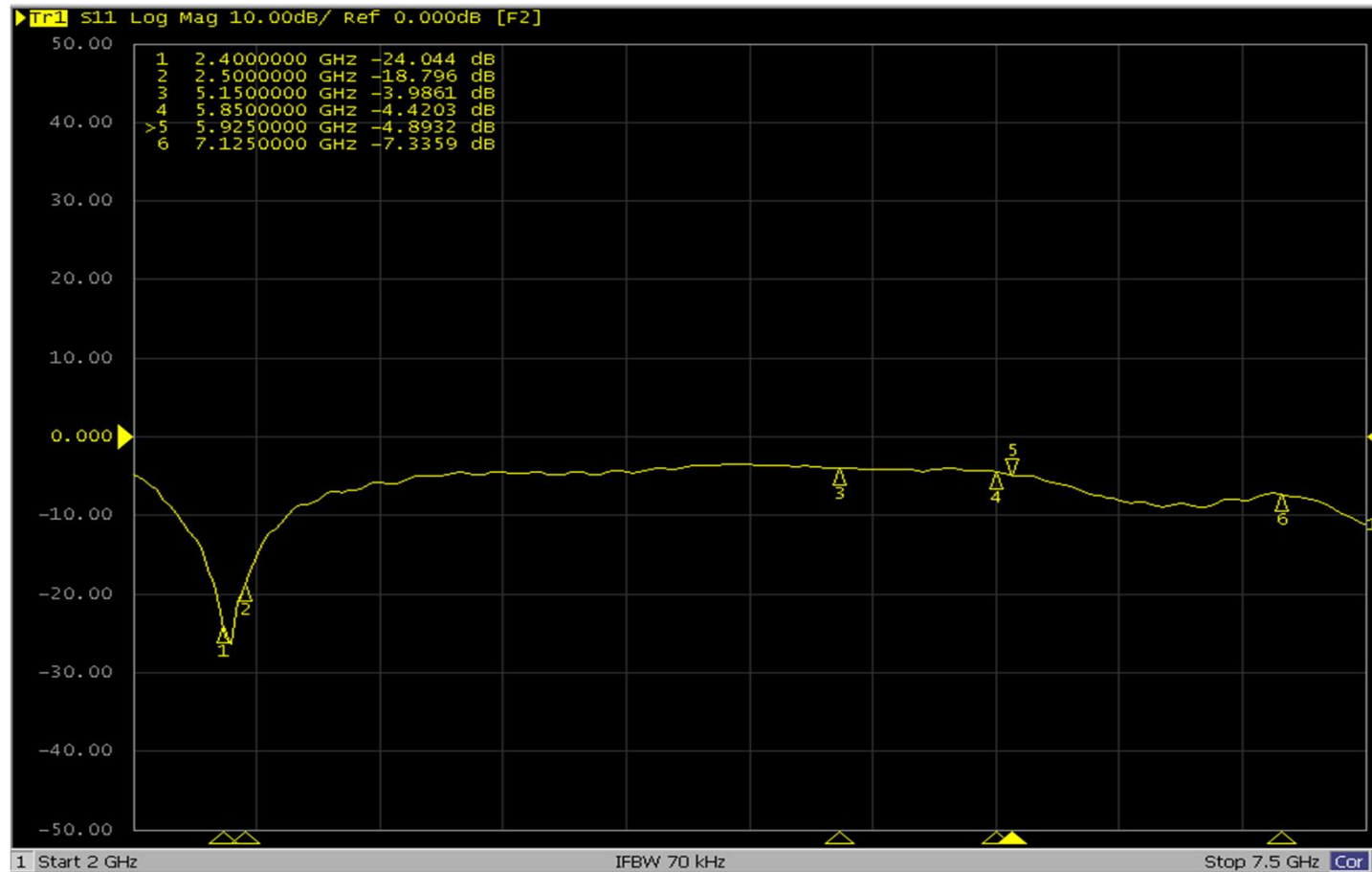
ANT7 Return Loss



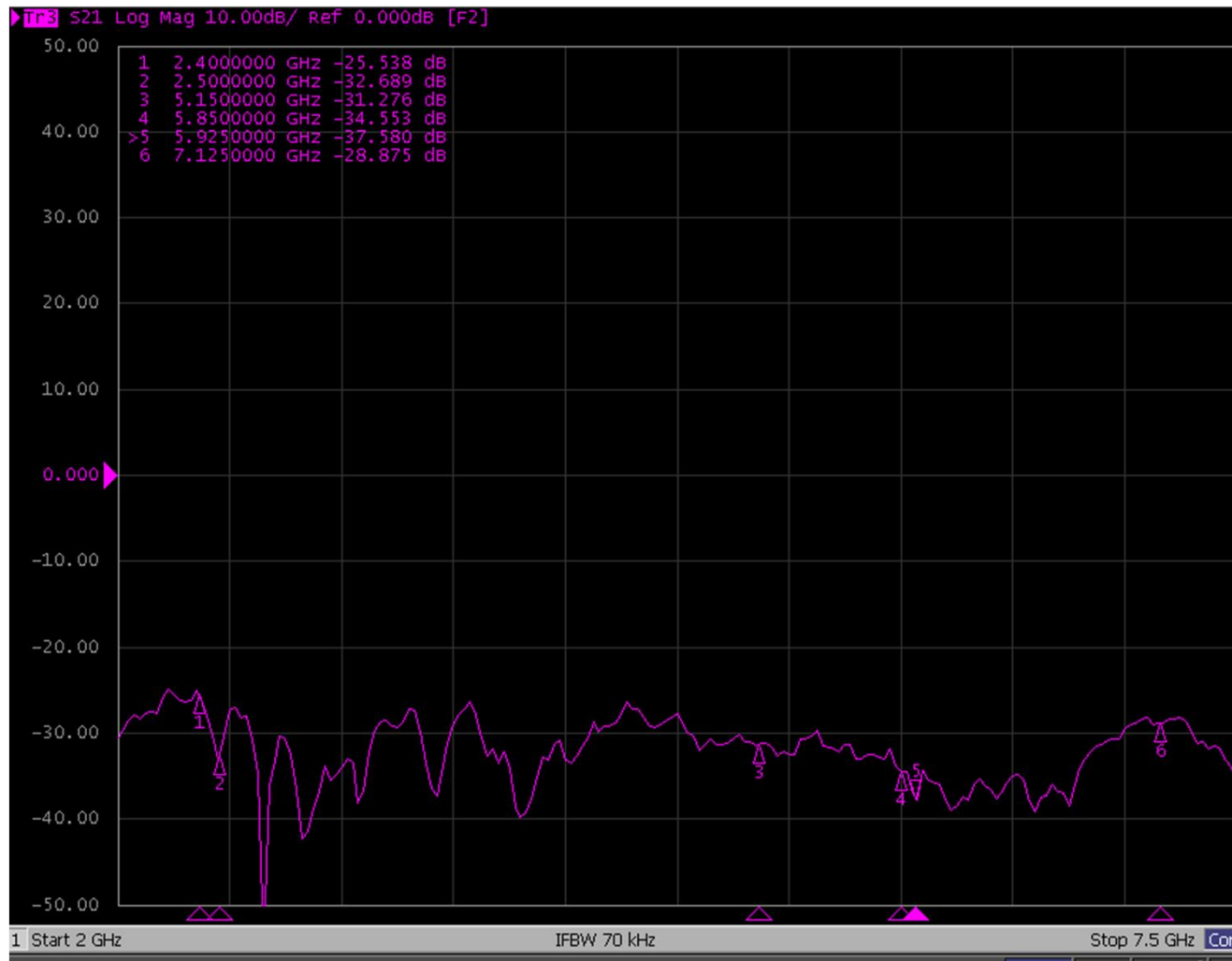
ANT8 Return Loss



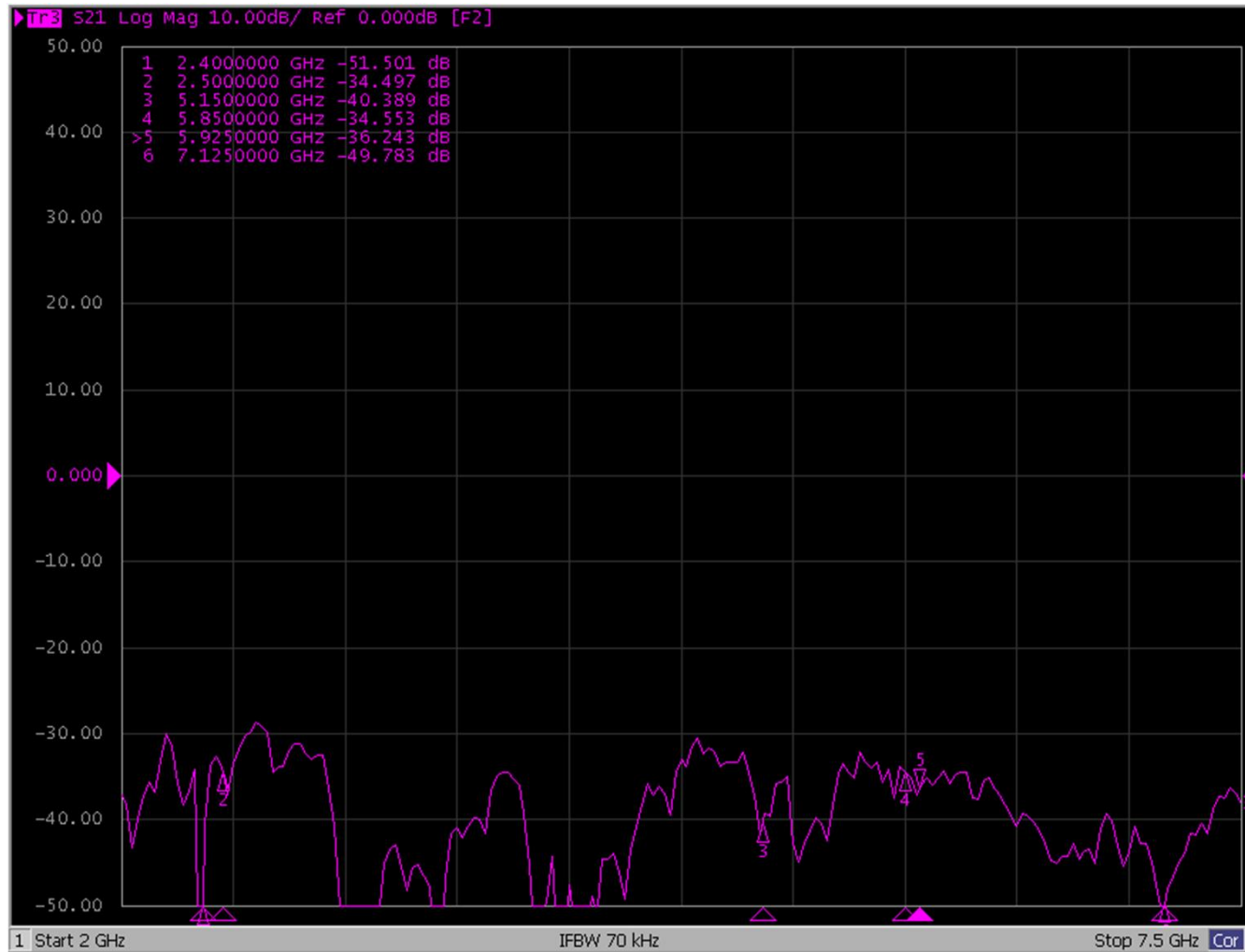
ANT9 Bluetooth Return Loss



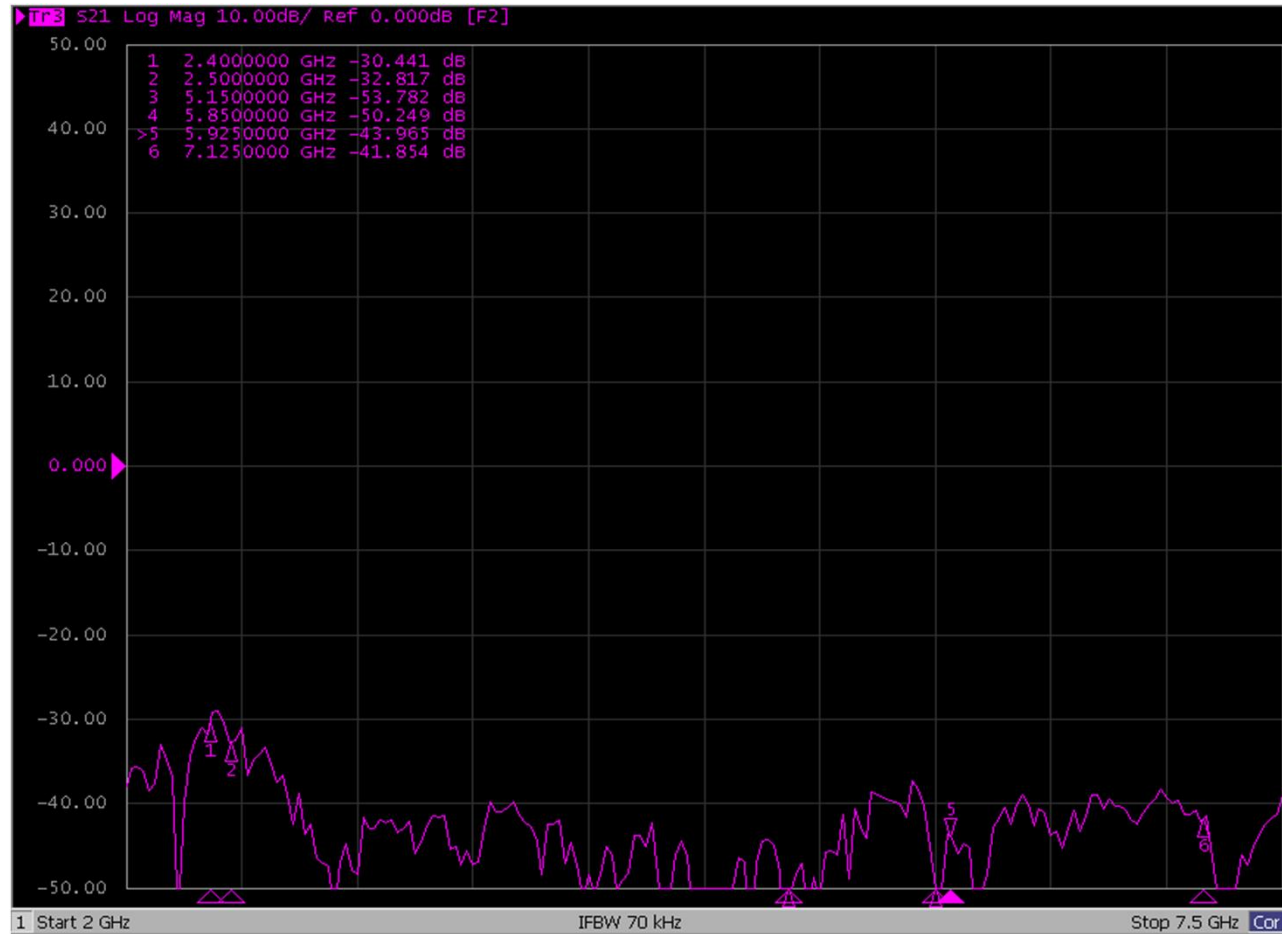
ANT1&ANT2 Isolation



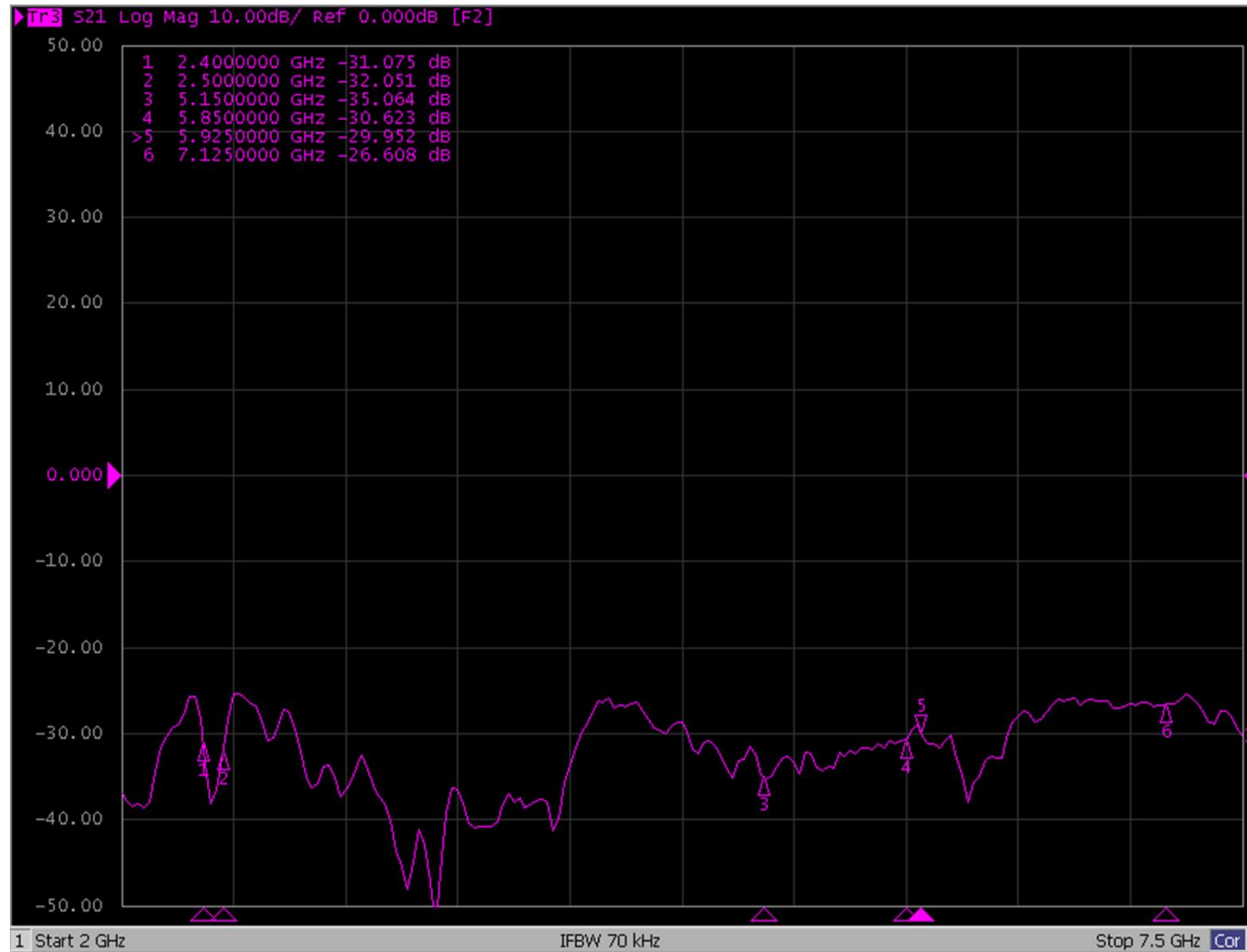
ANT1&ANT3 Isolation



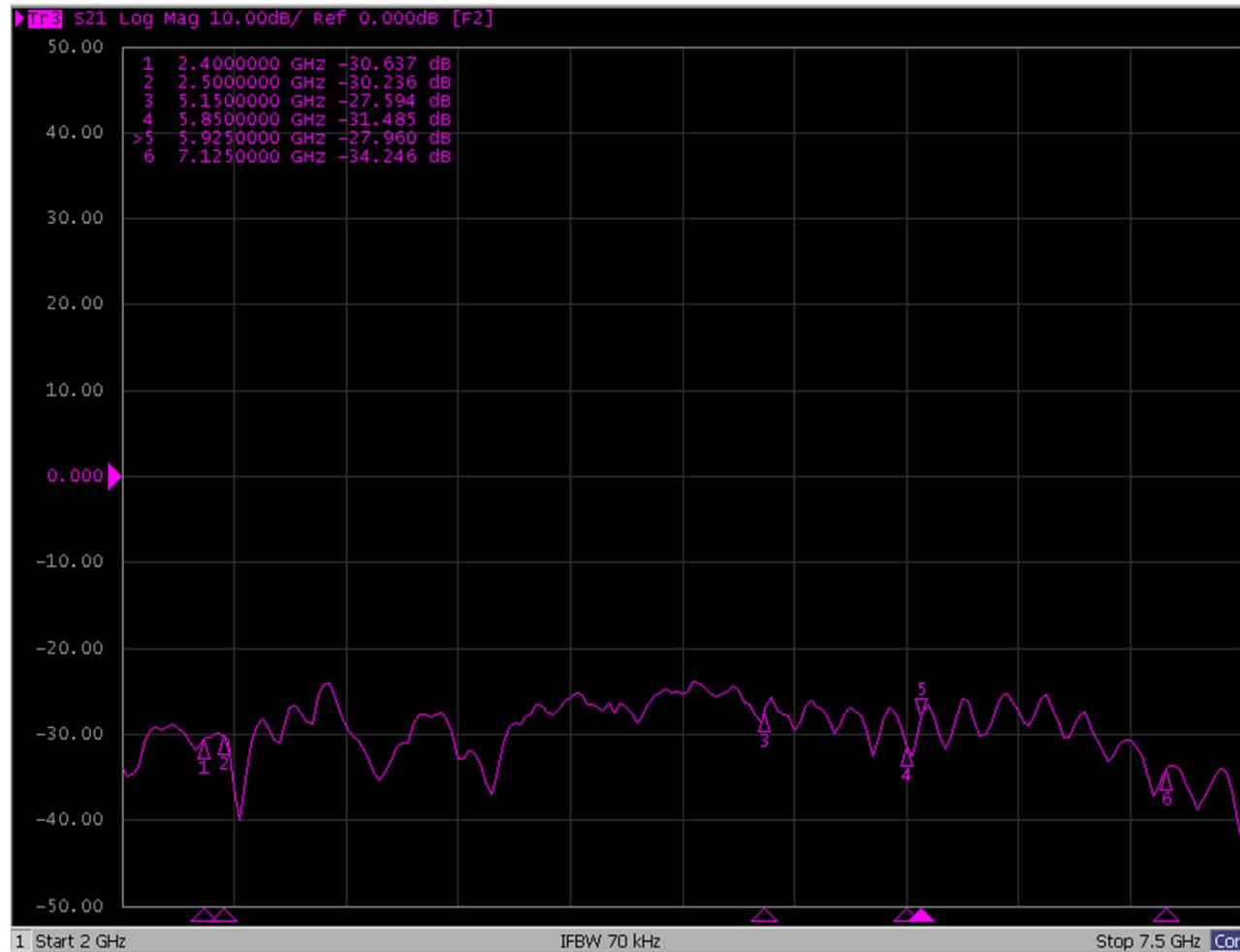
ANT1&ANT4 Isolation



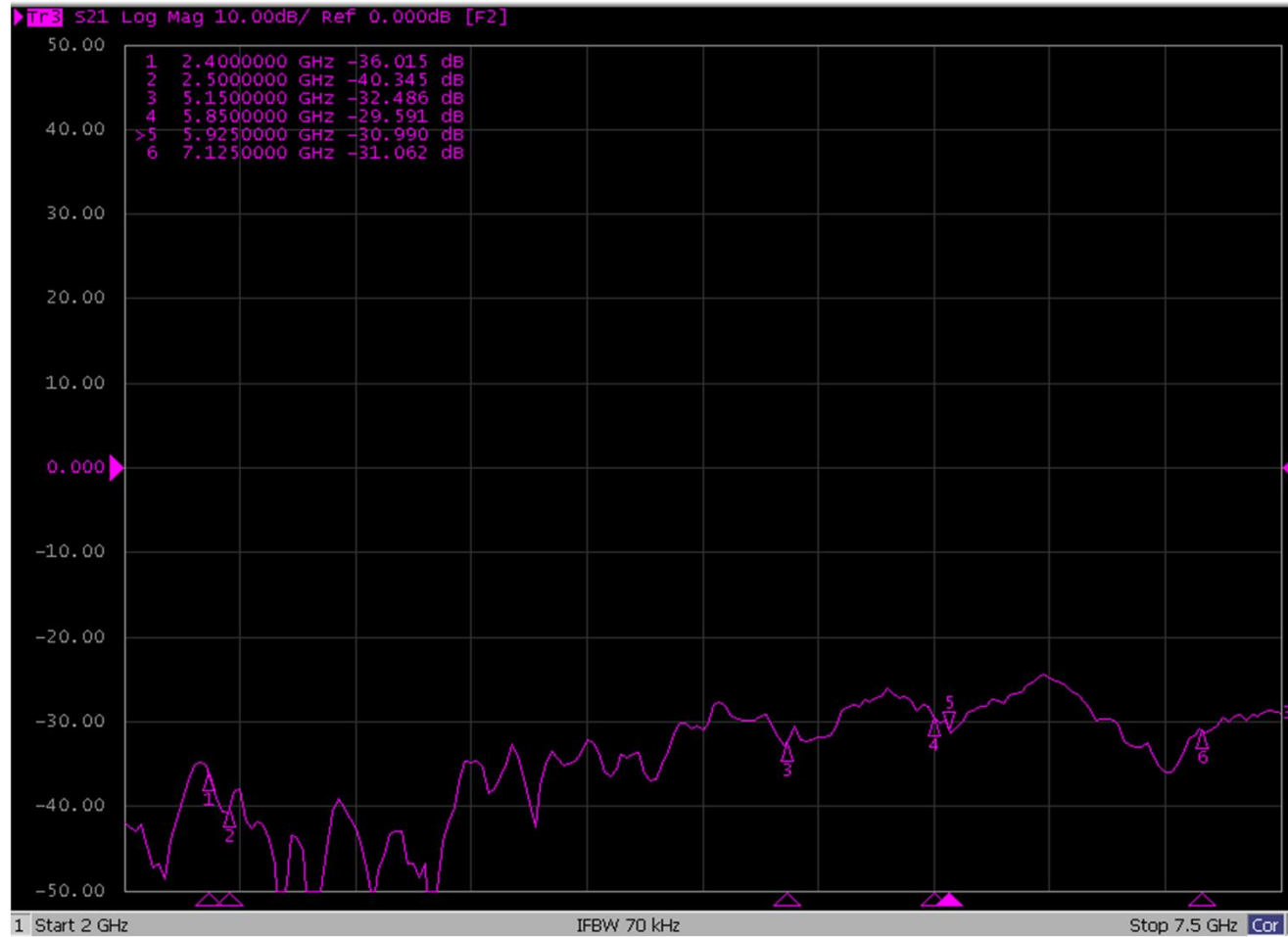
ANT1&ANT5 Isolation



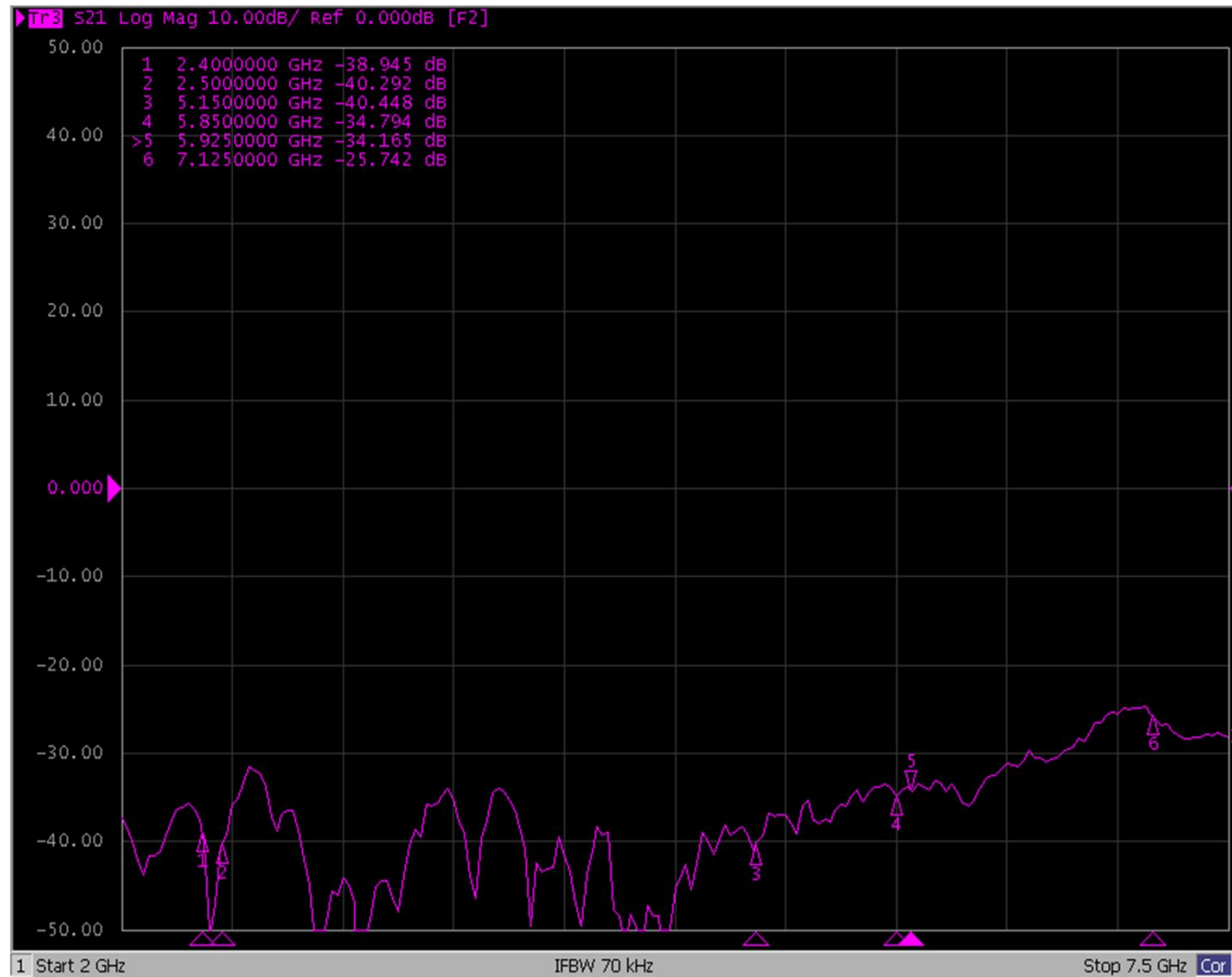
ANT1&ANT6 Isolation



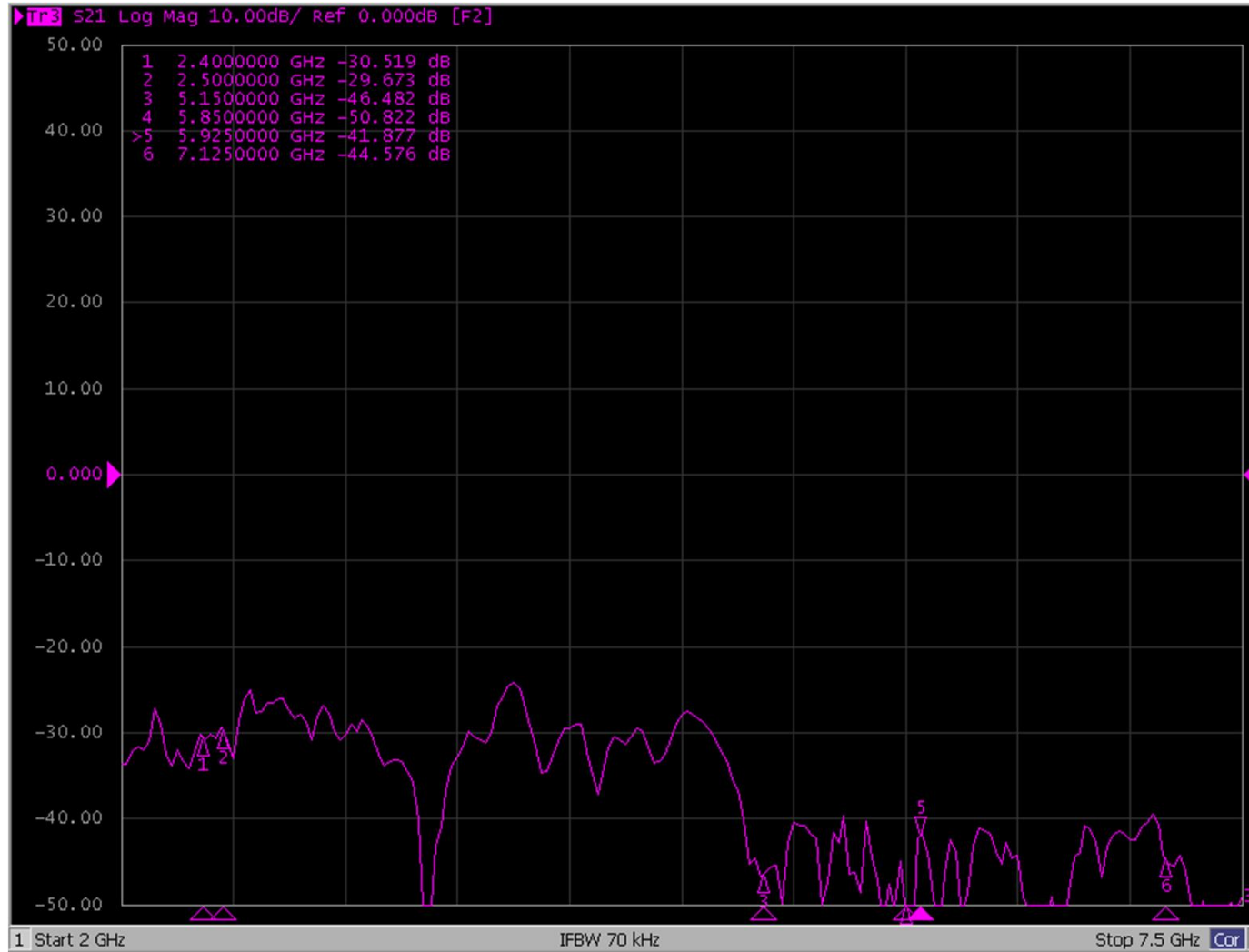
ANT1&ANT7 Isolation



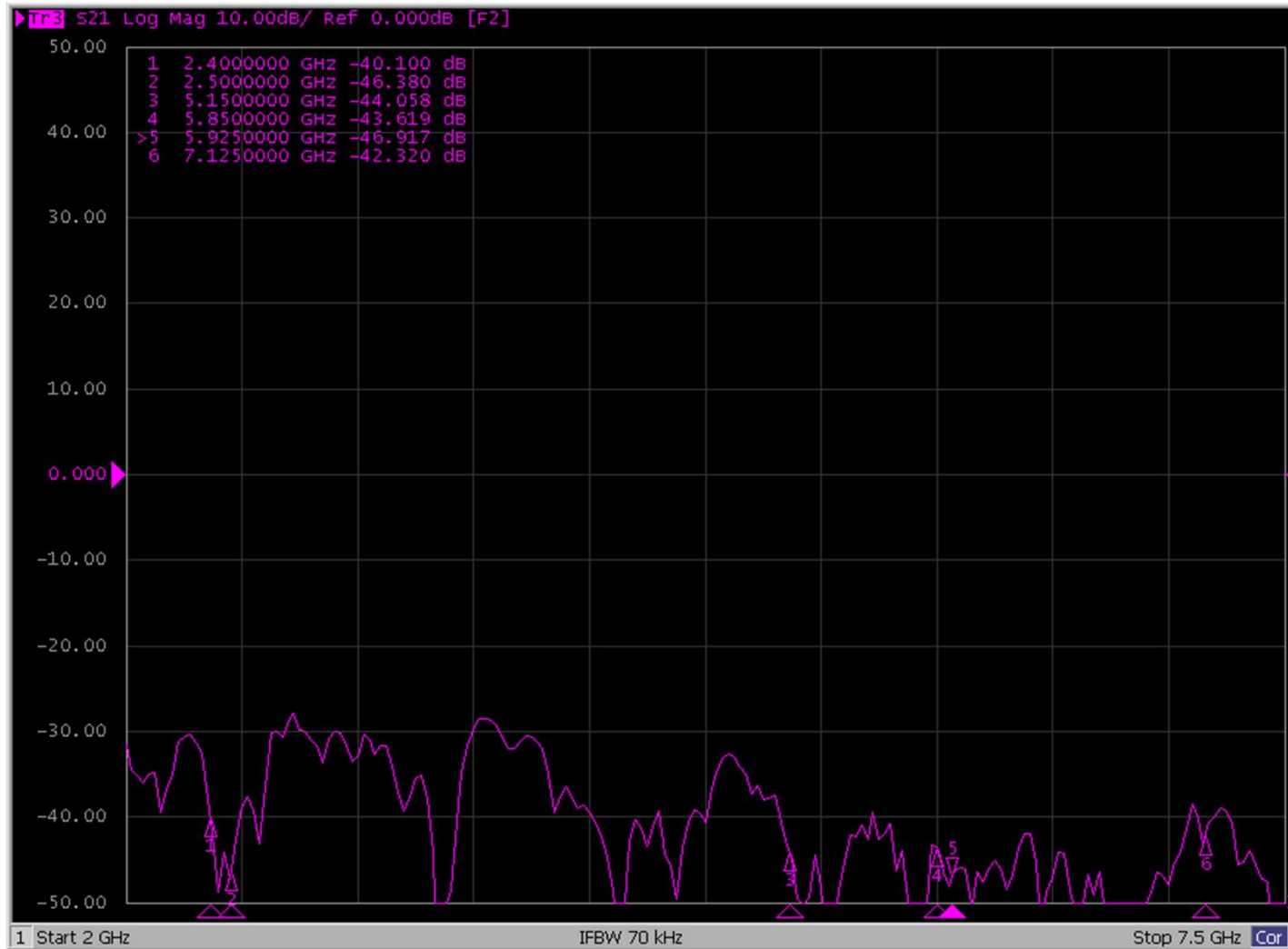
ANT1&ANT8 Isolation



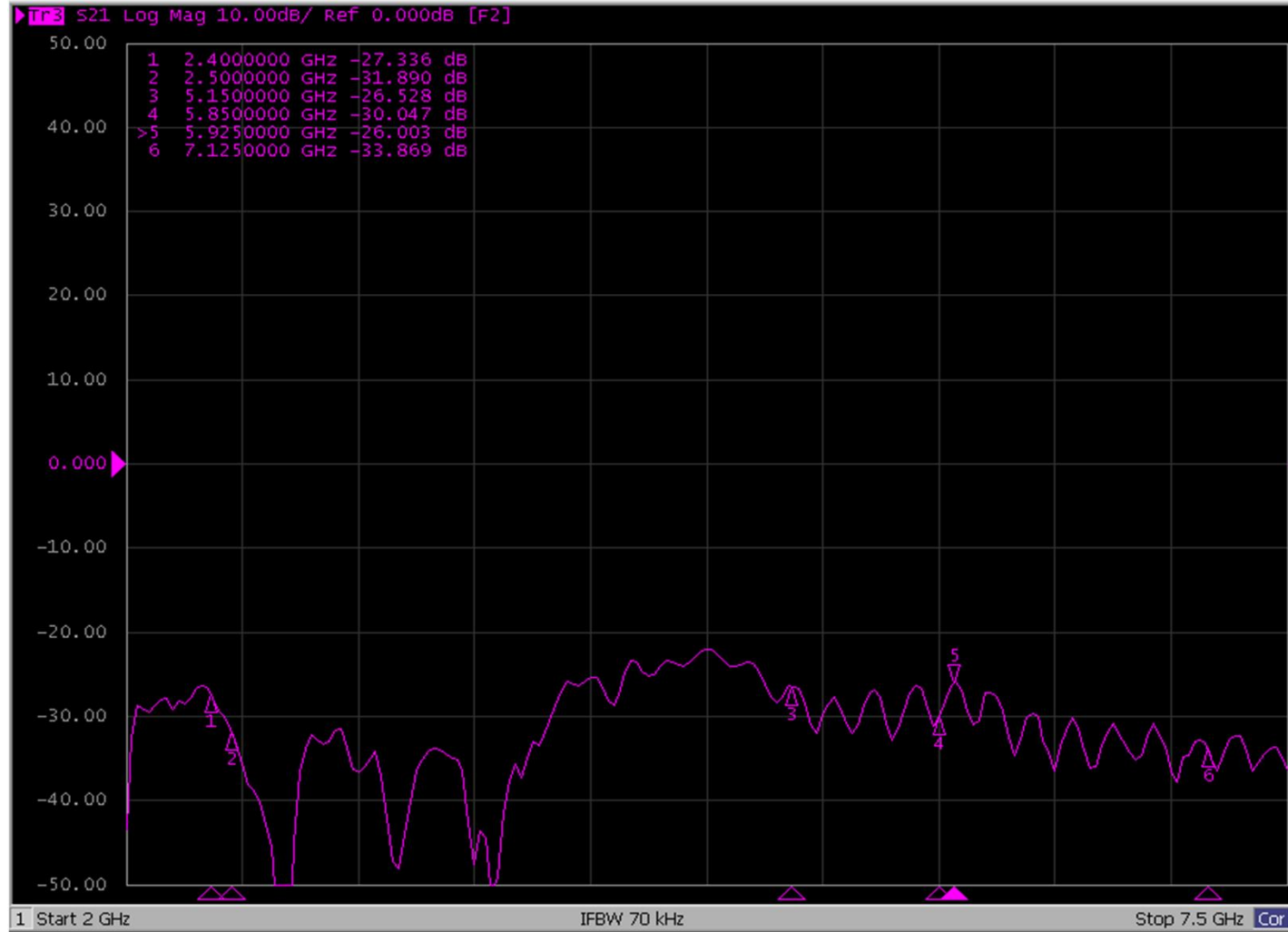
ANT2&ANT3 Isolation



ANT2&ANT4 Isolation



ANT2&ANT5 Isolation



ANT2&ANT6 Isolation

