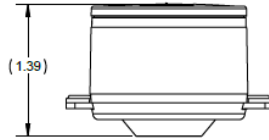
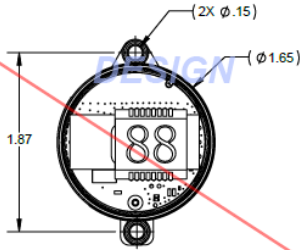


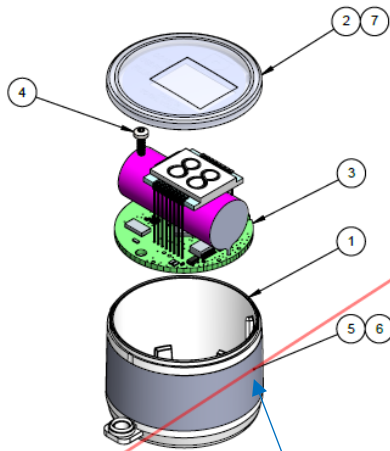
Rochester Sensor LLC

Label & Label location



NOTES:

1. MATERIALS CASE: BLACK NYLON 6.
2. MATERIAL LENS: TRANSPARENT POLYAMIDE.
3. LASER MARKINGS CAN BE USED IN PLACE OF SAFETY LABEL.



BLE SENSOR BOM TABLE		
ITEM NO	DESCRIPTION	QTY
1	CASE, BLE DIAL	1
2	LENS, BLE DIAL SENSOR	1
3	ELECTRONICS PCB ASSEMBLY	1
4	SCREW STEEL OR PLASTIC	1
5	SAFETY LABEL 1	1
6	MAC ADDRESS LABEL	1
7	INTERNAL DECAL, LOGO	1

REV	CHANGE DESCRIPTION	ECO #	DATE	REV	CHANGE DESCRIPTION	ECO #	DATE	REV	CHANGE DESCRIPTION	ECO #	DATE
A	INITIAL RELEASE	40663	12-11-23								
<small>PROPRIETARY AND CONFIDENTIAL THE INFORMATION CONTAINED IN THIS DRAWING IS THE SOLE PROPERTY OF ROCHESTER SENSORS. ANY REPRODUCTION IN PART OR AS A WHOLE WITHOUT WRITTEN PERMISSION OF ROCHESTER SENSORS IS PROHIBITED.</small>				<small>TOLERANCES NOT SHOWN 2 PLG ±.010" 3 PLG ±.005" FRAC. ±1/64" ANGLES ±3°</small>		<small>SUPERSEDES</small> NEW	<small>ECO #</small> 40663	<small>DRAWN BY</small> ALB	<small>DATE</small> 12-11-23	<small>USED ON</small> DRAWING NUMBER 6318-01001	
<small>SCALE</small> 1:1		<small>DESCRIPTION</small> BLE DIAL , SCREW-ON VERSION, VERTICAL TA, SPEC					<small>REV</small> A		<small>SIZE</small> B	<small>SHEET</small> 1 OF 1	

FCC ID: 2BCFF-6318
 IC: 31320-6318
 HVIN: 6318-A