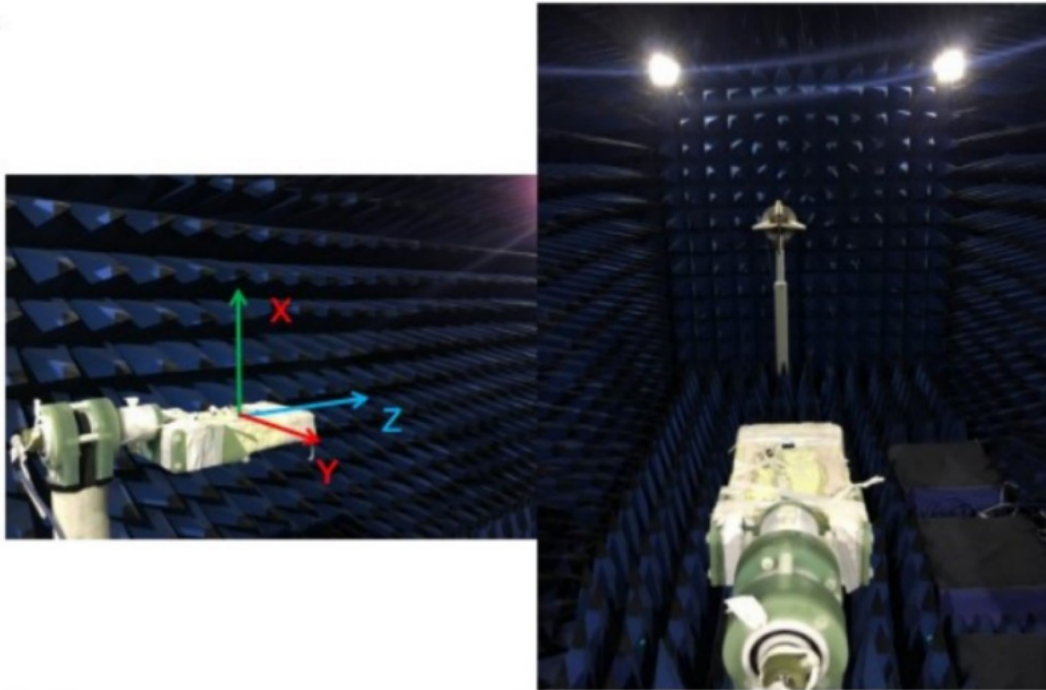


WB3L Antenna Specification

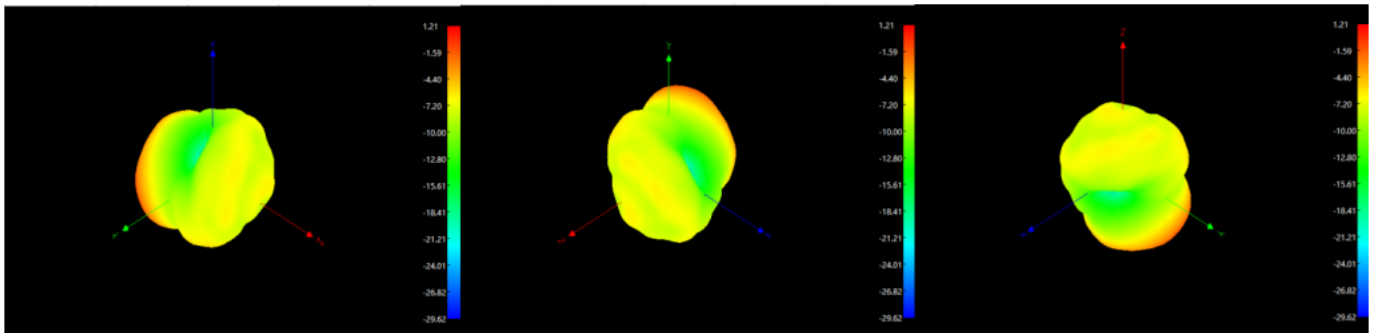
1. Antenna Information

Manufacturer	Hangzhou Tuya Information Technology Co., Ltdd
Model	WB3L
Type	PCB
Gain	1.22dBi

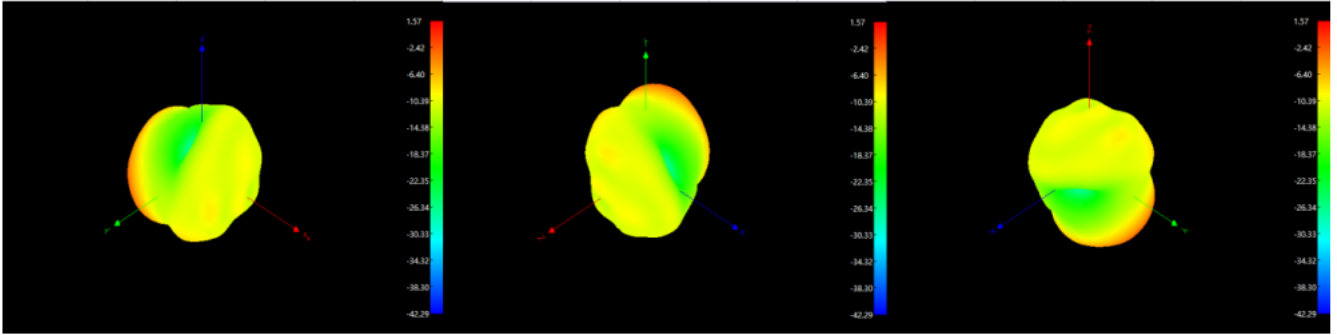
2. Radiation Pattern



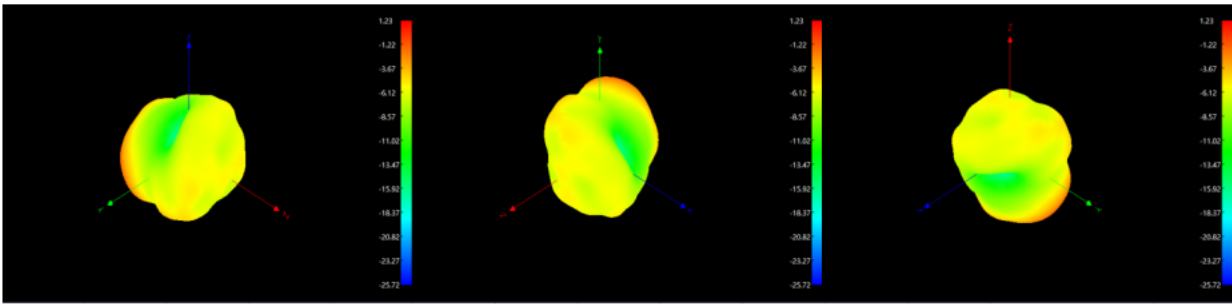
2400M:



2450MHz



2500MHz



3. Gain table of Antenna

frequency	gain	efficiency
Frequency / MHz	Efficiency / %	Gain/ dB
2400	16.37	0.77
2410	16.83	0.95
2420	17.54	1.2
2430	18.03	1.15
2440	18.79	1.21
2450	18.97	1.22
2460	18.45	1.18
2470	17.82	1.12
2480	17.38	1.05
2490	16.67	0.79

4. PCB photo

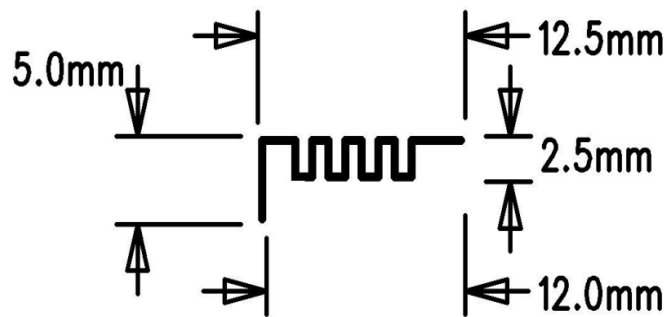


Photo & Length (mm)

Antenna