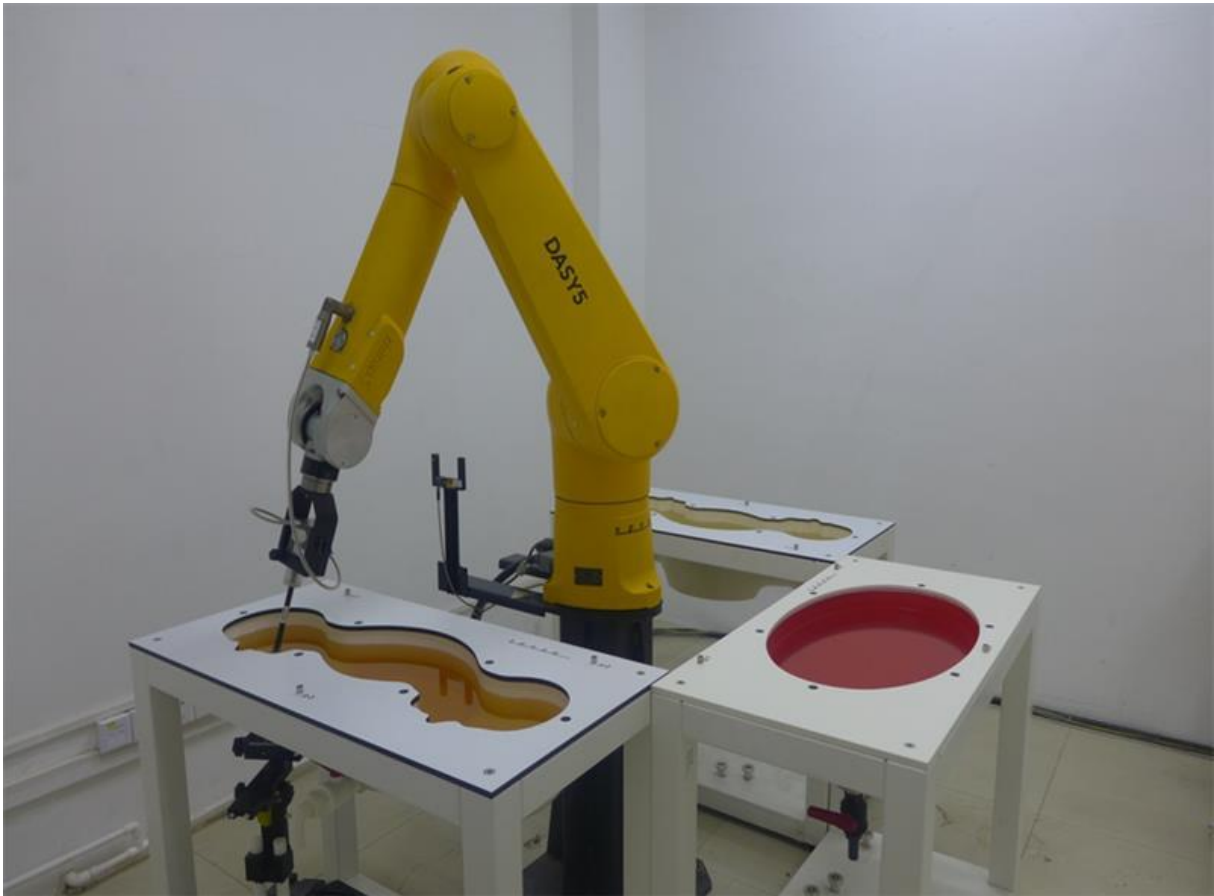


# Appendix D

## Photographs

1. SAR measurement System
2. Photographs of Tissue Simulate Liquid
3. Photographs of EUT test position
4. EUT Antenna Locations
5. EUT Constructional Details

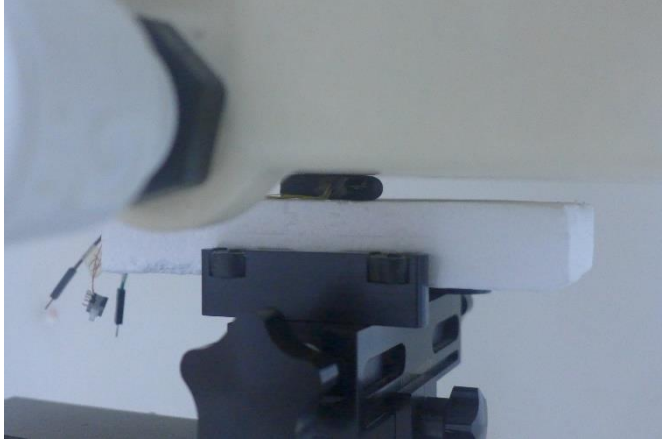
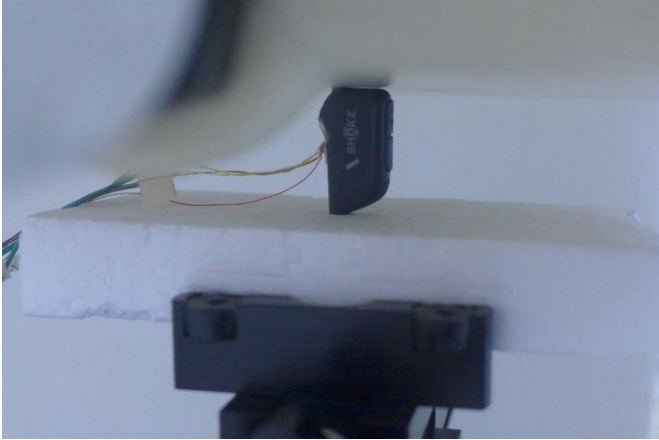
## 1. SAR measurement System



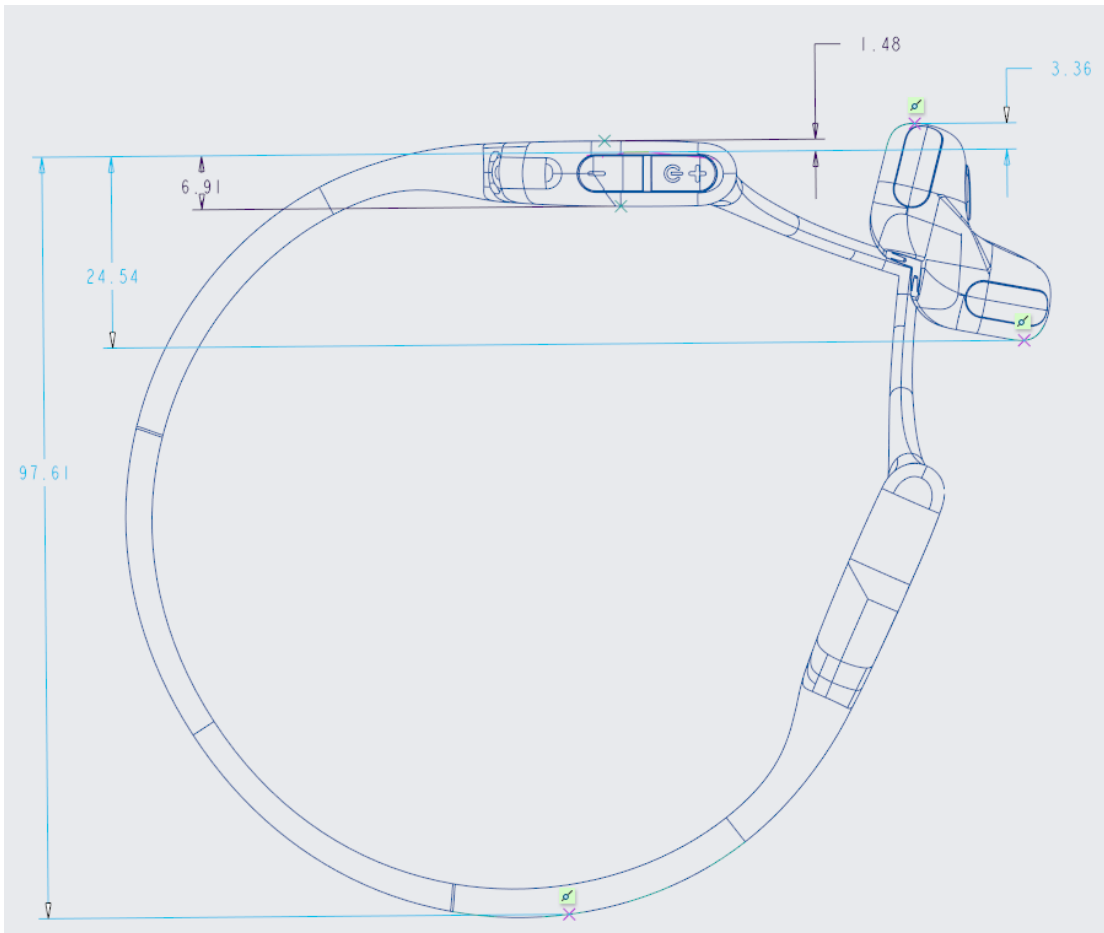
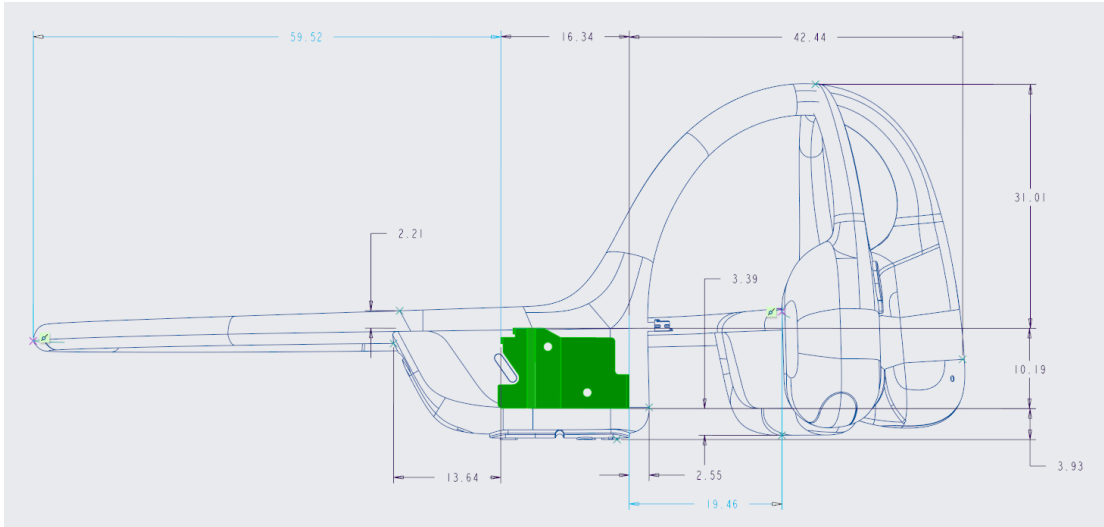
## 2. Photographs of Tissue Simulate Liquid

Photo 1: Tissue Simulant Liquid for HBBL600-10000MHz	NA
	NA

### 3. Photographs of EUT test position

Photo 2: Back side 0mm	Photo 3: Top side 0mm
 A photograph showing the back side of the EUT test position. A white foam block is mounted on a black metal fixture. A small black component is visible on the top surface of the foam block. The background is a plain white wall.	 A photograph showing the top side of the EUT test position. A white foam block is mounted on a black metal fixture. A small black component is visible on the top surface of the foam block, with several thin wires (yellow, red, green) extending from it. The background is a plain white wall.

### 4. EUT Antenna Locations



## **5. EUT Constructional Details**

Details please Refer to Appendix – Photographs for SZCR2402000415AT.

-The End-