	深圳市韶音科技有限公司	表单编号	SKZ-QR-QP09-002
	天线规格说明书	表单版本	A/0

Bluetooth antenna specification

1. General Specifications

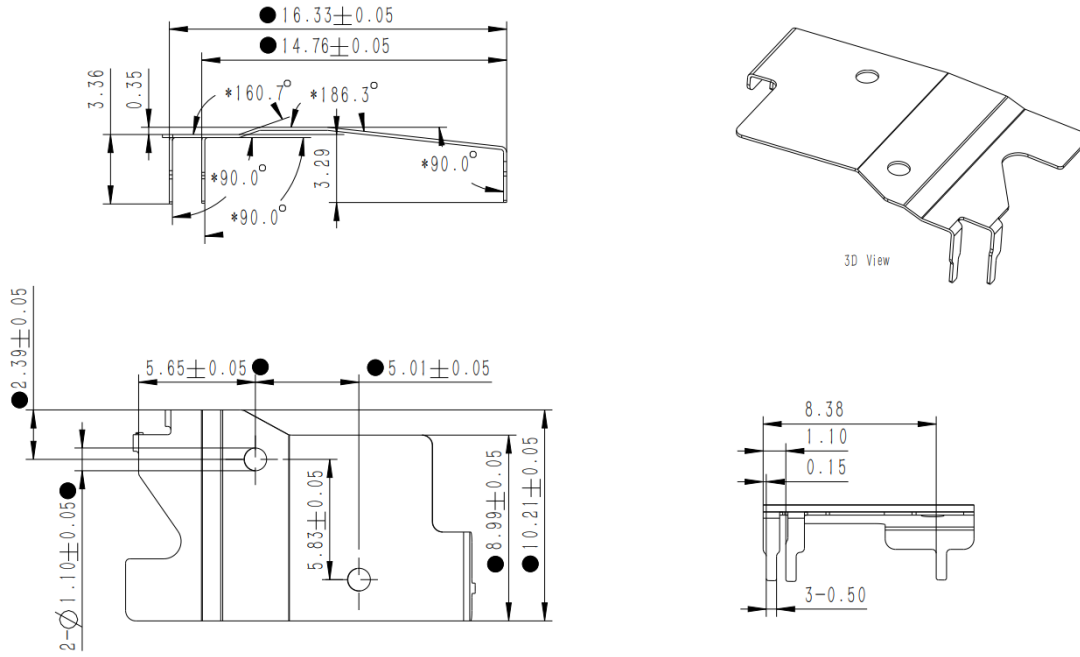
Model	SHOKZ S820-PIFA
Antenna manufacturer	Shenzhen Shokz Co., Ltd.
Address of antenna manufacturer	Floors 1-4, Factory Building 26, Shancheng Industrial Park, Shixin Community, Langxin Community, Shiyan Street, Bao'an District, Shenzhen, Guangdong, China
Antenna type	PIFA Antenna
Material	Beryllium copper
Modulation Type	GFSK, 8DPSK, $\pi/4$ DQPSK
Number of channels	79
Frequency Range(MHz)	2402MHz~2480MHz
Peak Gain(dBi)	-0.5 dBi
Average Gain(dBi)	-1 dBi
Return Loss(dB)	-10dB
Impedance(Ω)	50 Ω
Operating Temperature ($^{\circ}\text{C}$)	-40 to +85 $^{\circ}\text{C}$

2. Dimension information

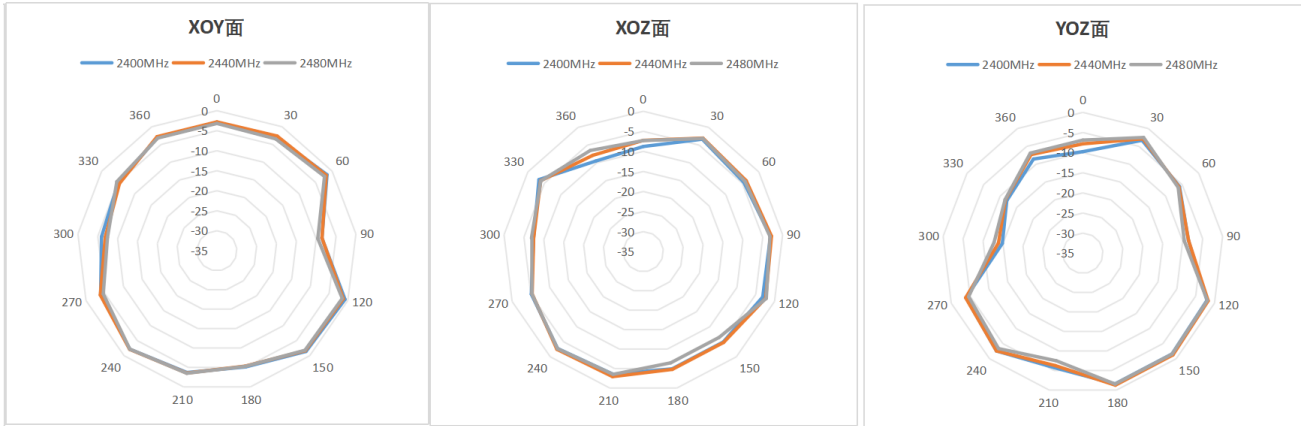
(1) Mechanical Dimensions (mm) :

16.33X10.21X0.15

(2) Dimension drawing



3、Directivity diagram



频率	Efficiency_dB	XOY 面		XOZ 面		YOZ 面	
		Average Gain_dB	Peak Gain_dB	Average Gain_dB	Peak Gain_dB	Average Gain_dB	Peak Gain_dB
2400	-3.60	-3.63	-0.75	-4.95	-2.76	-6.17	-1.58
2440	-3.78	-3.73	-1.21	-4.52	-2.76	-5.75	-1.25
2480	-4.02	-4.05	-1.48	-4.75	-2.76	-5.91	-1.54