	<b>深圳市韶音科技有限公司</b>	表单编号	SKZ-QR-QP09-002
	<b>天线规格说明书</b>	表单版本	A/0

## Bluetooth antenna specification

### 1. General Specifications


Model	CL120A- Monopole Antenna
Antenna manufacturer	Shenzhen Shokz Co., Ltd.
Address of antenna manufacturer	Floors 1-4, Factory Building 26, Shancheng Industrial Park, Shixin Community, Langxin Community, Shiyan Street, Bao'an District, Shenzhen, Guangdong, China
Antenna type	Monopole Antenna
Material	Metal
Modulation Type	GFSK, 8DPSK, $\pi/4$ DQPSK
Number of channels	79
Frequency Range(MHz)	2402MHz~2480MHz
Peak Gain(dBi)	0 dBi
Average Gain(dBi)	-1 dBi
Return Loss(dB)	-10dB
Impedance( $\Omega$ )	50 $\Omega$
Operating Temperature ( $^{\circ}\text{C}$ )	0 $^{\circ}\text{C}$ to +45 $^{\circ}\text{C}$

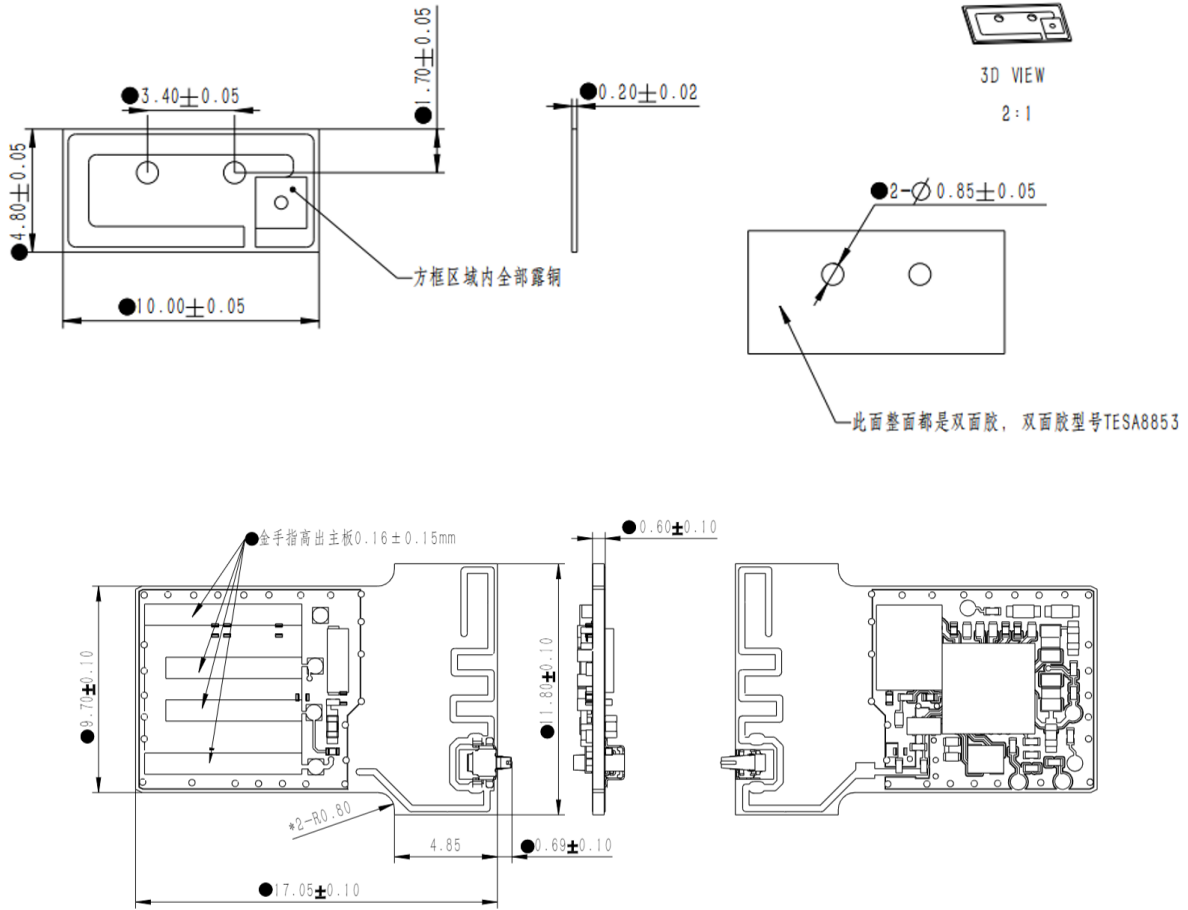
### 2. Dimension information

(1) Mechanical Dimensions (mm) :

10.00 × 4.80

(2) Dimension drawing

	<b>深圳市韶音科技有限公司</b>	文件编号:	SKZ-QR-QP09-001
	<b>Bluetooth antenna specification</b>	文件版本:	A/0
		页次:	第 1 页 共 1 页



### 3、Directivity diagram

