	深圳市韶音科技有限公司	表单编号	SKZ-QR-QP09-002
	天线规格说明书	表单版本	A/0

Bluetooth antenna specification

1. General Specifications

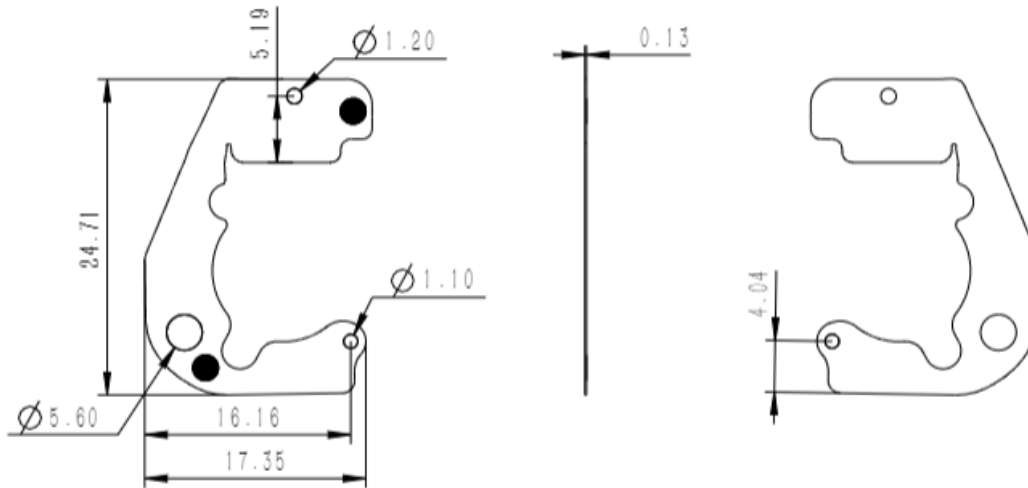
Model	C610-PIFA
Antenna manufacturer	Shenzhen Shokz Co., Ltd.
Address of antenna manufacturer	Floors 1-4, Factory Building 26, Shancheng Industrial Park, Langxin Community, Shiyan Street, Bao'an District, Shenzhen, Guangdong, China.
Antenna type	PIFA Antenna
Material	FPC
Modulation Type	GFSK, 8DPSK, $\pi/4$ DQPSK
Number of channels	79
Frequency Range(MHz)	2402MHz~2480MHz
Peak Gain(dBi)	0 dBi
Average Gain(dBi)	-1 dBi
Return Loss(dB)	-10dB
Impedance(Ω)	50 Ω
Operating Temperature ($^{\circ}\text{C}$)	0 $^{\circ}\text{C}$ to +45 $^{\circ}\text{C}$
Test laboratory	SHOKZ antenna laboratory
Antenna polarization mode	Linear polarization

2. Dimension information

(1) Mechanical Dimensions (mm) :

24.71 × 17.35

(2) Dimension drawing:



3、Antenna Gain (Peak Gain with dBi Value) : 0 dBi

Freq (MHz)	Effi (%)	Effi (dB)	Gain (dBi)
2400	31.45	-5.02	-1.32
2410	31.72	-4.99	-0.83
2420	33.10	-4.80	-0.18
2430	32.56	-4.87	-0.26
2440	33.00	-4.81	0
2450	30.49	-5.16	-0.98
2460	30.35	-5.18	-1.12
2470	30.65	-5.16	-1.22
2480	29.72	-5.27	-1.54

4、Directivity diagram

