

Manufacturer: Shenzhen GuangYuanFa electronics co. LTD

SPECIFICATION FOR APPROVAL

CUSTOMER: _____

CUSTOMER NO: DK01

PART NAME: Bluetooth Antenna

SUPPLIER NO: JY-001-V1.0

Date: 2022.11.18

CUSTOMER APPROVED BY		
APPROVAL	CHIEF	SUPERVISOR

SUPPLIER SIGNATURE		
APPROVAL	CHECK	DESIGN

SPECIFICATION FOR APPROVAL

1.Product Specification.....	3
2.The Antenna Pattern	3
3.Text Environment and Equipment.....	3
4.OTA	4
5.Antenna Pattern	5
6.Passive	6
7.Mechanical Drawing	8

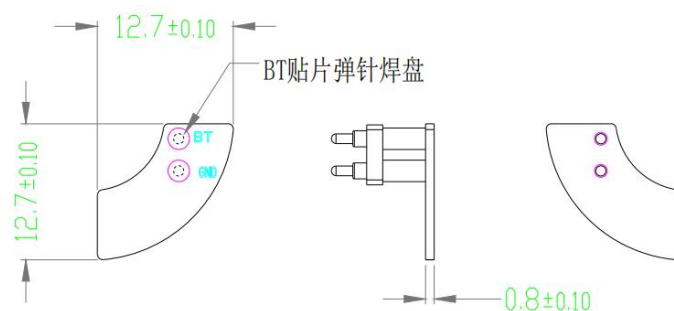
1. Product Specification

A. (Electrical Characteristics)	
Frequency	2400-2500MHz
V.S.W.R	<3.0
Impedance	50 Ohm
Mini Gain	About 0.83dBi
Antenna Type	FR4
B. Material & Mechanical Characteristics	
Material of Radiator	Cu
C. Environmental	
Operation Temperature	- 40 °C ~ + 80 °C
Storage Temperature	- 40 °C ~ + 80 °C

2. The Antenna Pattern

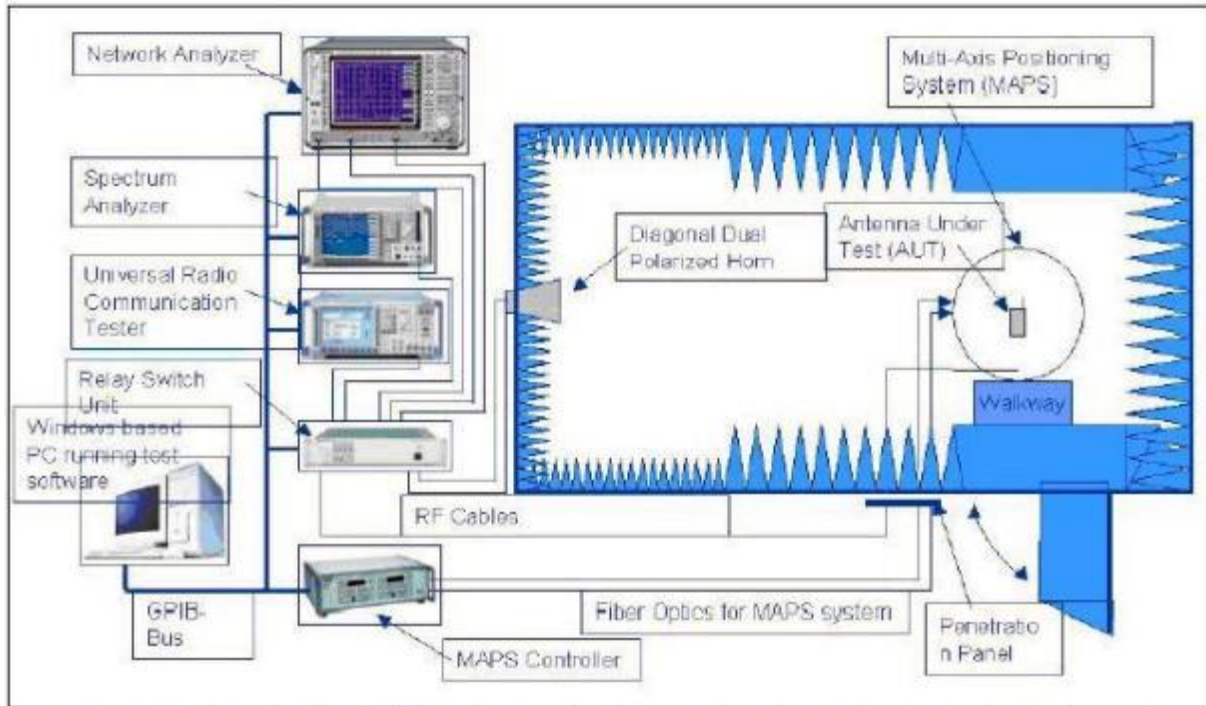


实物图片



外形尺寸

3. Text Environment and Equipment

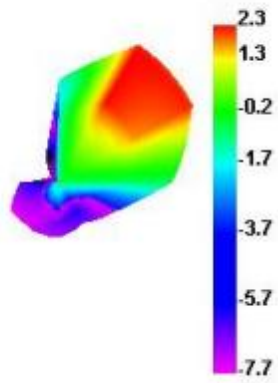


4.OTA

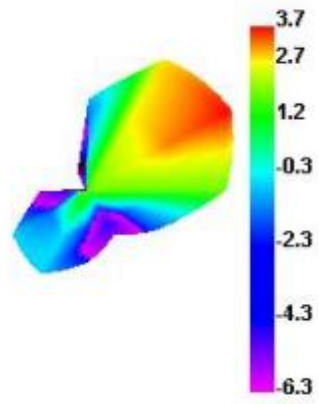
Test Result	Bluetooth TRP			
	0	37	39	78
Frequency (MHz)	2402	2439	2441	2480
TRP (dBm)	1.49	2.82	1.46	-1.29
Test Result	Bluetooth TIS			
				78
Frequency (MHz)				2480
TIS (dBm)				-85.88

5. Antenna Pattern

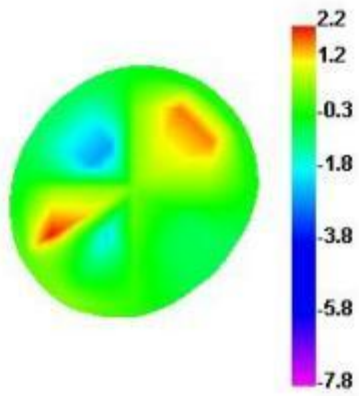
Bluetooth 0 TRP



Bluetooth 37 TRP



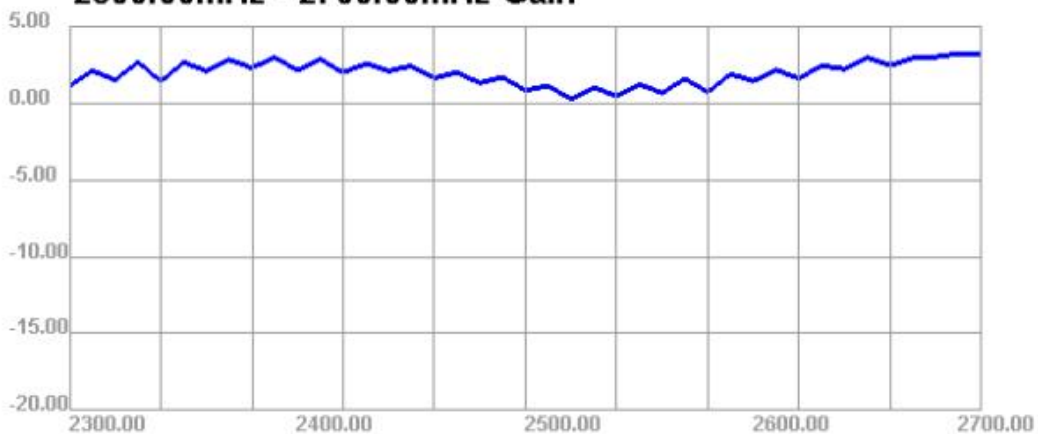
Bluetooth 78 TRP



6.Passive

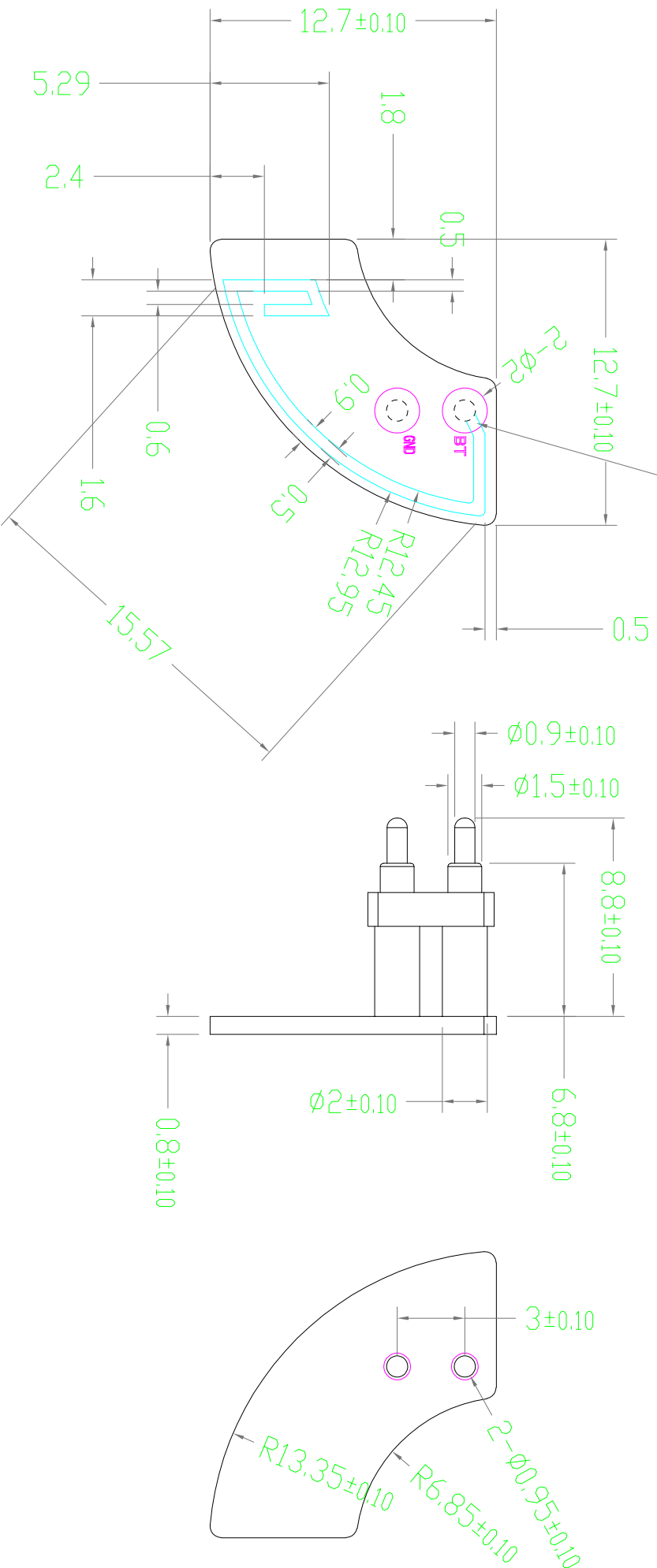
Freq (MHz)	Effi (%)	Gain (dBi)
2400	43.13	2.14
2410	50.81	2.85
2420	43.46	2
2430	50.26	2.57
2440	46.99	2.11
2450	51.44	2.42
2460	44.75	1.65
2470	49.21	2
2480	44.28	1.32
2490	49.87	1.69
2500	41.73	0.83

2300.00MHz - 2700.00MHz Gain



BT贴片弹针焊盘

版本	设计	变更内容	日期



发放单位		公差要求:		未标注公差		名称:		比例		
QC	<input checked="" type="checkbox"/>	0 ~ 10	± 0.05	序列号前 () 为普通尺寸标注	序列号前 () 为参考尺寸标注	来料确认图	设计	审核	批准	比例
物控	<input checked="" type="checkbox"/>	10 ~ 24	± 0.07	序列号前 () 为关键尺寸标注	序列号前 () 为SPC尺寸标注					
SMT制造	<input checked="" type="checkbox"/>	24 ~ 50	± 0.1							1 : 1
SMT QA	<input checked="" type="checkbox"/>	50 ~ 80	± 0.13							mm
后段制造	<input checked="" type="checkbox"/>									inch
后段QA	<input checked="" type="checkbox"/>									mil
						BK101-天线小板		NO.		1 OF 1