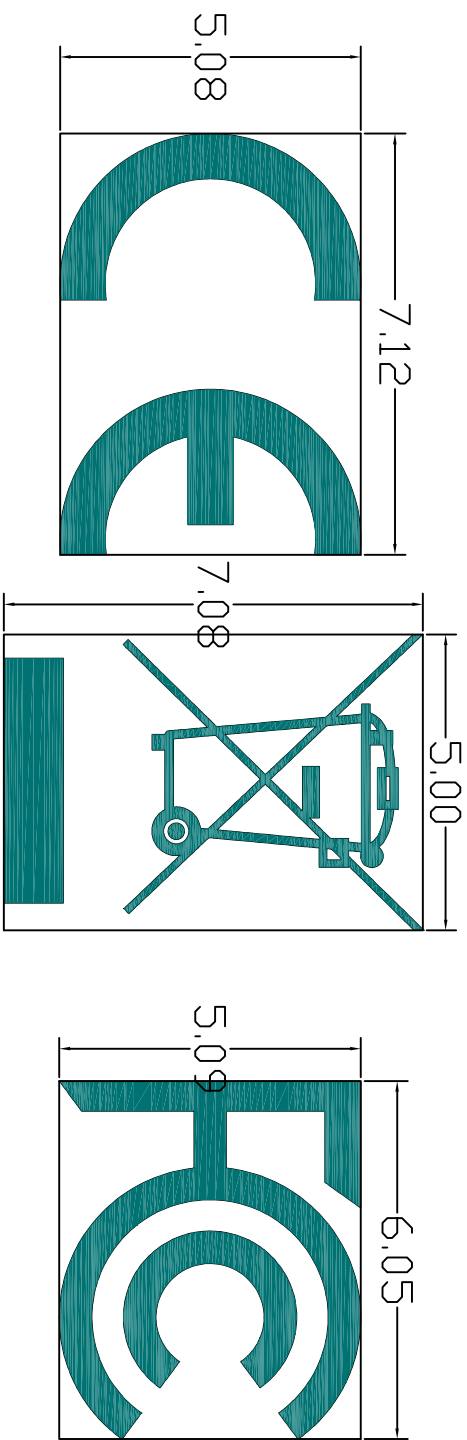


Unit:mm

PROJECT BETA

2.10 23.58
FCCID:2BCCCB-BST



BS15899010009

