

User Manual

深圳市华磊创新科技有限公司

产品类型：开放式不入耳蓝牙耳机
Product Type：Bluetooth Stereo Earphone

型 号：Y12
Mode NO：

版 本：A/0
Version：

确认日期：2022-07-20
Approval Date：

版本记录 Revision History

| 版本 Version no. | 日期 Date | 描述 Description | 更改人 Issue by |
|-------------------|------------|-------------------|-----------------|
| A/0 | 2022-07-20 | 首次发布 | |
| | | | |
| | | | |

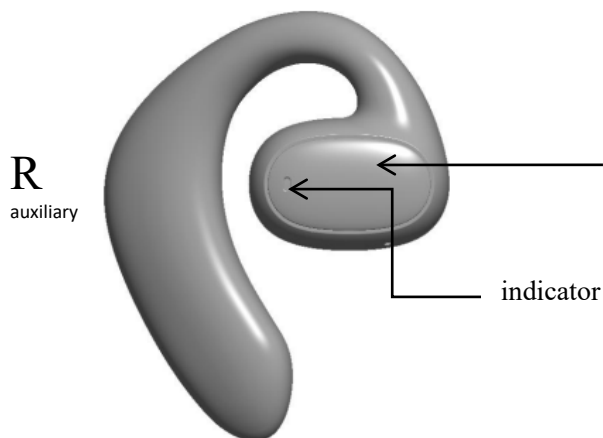
1. 制品概要 PRODUCTS OUT-LINE

| | | |
|-----|--------------------------|---|
| 1-1 | 名称 ASSORTMENT | 立体声蓝牙耳机 Stereo bluetooth headset |
| 1-2 | 型号 Mode NO | Y12 |
| 1-3 | 喇叭 Speaker : | 13mm 铜环喇叭 13mm copper ring speaker |
| 1-4 | 耳机入力 SPEAKER POWER | 额定入力: 3 mW 瞬间最大入力: 10mW Rated input power: 3Mw.Maximum input power: 10mW |
| 1-5 | 交流阻抗 IMPEDANCE | 22Ω± 15% Ohm at 1000Hz. 0.126V |
| 1-6 | 外观 APPEARANCE | 根据外观图 |
| 1-7 | 净重 NET WEIGHT | Approx: 64.0g |
| 1-8 | 关系图面 RELATION DRAWING | 外观图 Appearance Drawing |

2. 外观图 Product Dimension



3. 介绍 Introduction

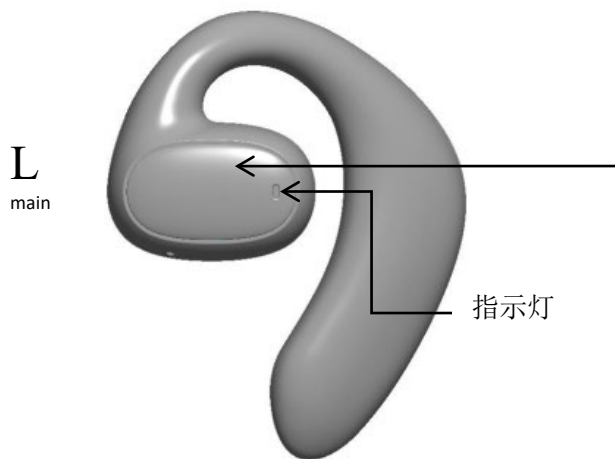


Power on/off:

1. Pick up from the charging compartment to automatically power on/or press and hold for about 3 seconds or more to power on
2. Put it into the charging compartment or press and hold the function button of the headset for about 5 seconds until it turns off
3. If only one earphone is put back into the charging compartment, the other earphone can still work
2. Play mode: touch the function key once - pause/play
3. Call mode: touch the function key once - answer/hang up
Long press the function key - refuse to listen
4. Volume mode: two taps: volume up (R)

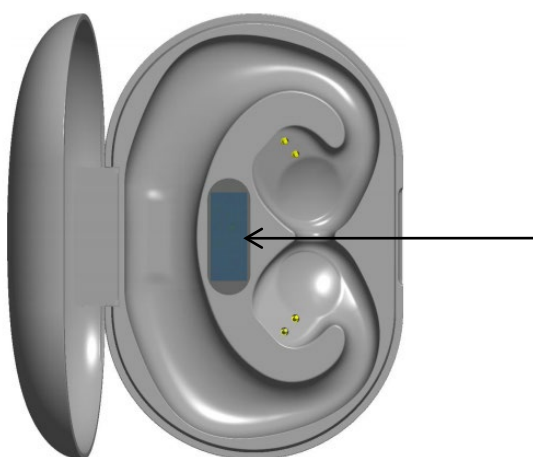
Headphone TWS pairing connection:

1. L, R earphones pick up L.R from the charging compartment to automatically match
 2. L is the main ear and R is the auxiliary ear
 3. The red and blue lights of the main ear flash alternately, and the lights of the auxiliary ear go out
- In the state of listening to songs: touch the function key three times: next song (R)
Tap the function key three times: previous song (L)



Power on/off:

1. Pick up from the charging compartment to automatically power on/or press and hold for about 3 seconds or more to power on
2. Put it into the charging compartment or press and hold the function button of the headset for about 5 seconds until it turns off
3. If only one earphone is put back into the charging compartment, the other earphone can still work
2. Play mode: touch the function key once - pause/play
3. Call mode: touch the function key once - answer/hang up
Long press the function key - refuse to listen
4. Volume mode: two taps: volume down (L)



status of use:

1. Put the headset into the charging compartment and fully charge it for about 60 minutes
2. The charger fully charges the bin for about 2.5H (charging current 300MA/H)
3. Display the remaining power of the charging box (188 digital tube display)

When the mobile phone is not connected, double-click the multi-function button twice to switch between Chinese and English

未连接手机状态下双击 2 下多功能键可切换中英文

4. 颜色配搭 Colour Matrix

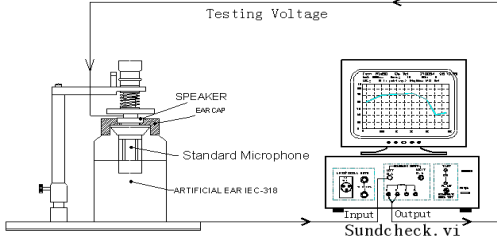
| (黑色) | | | |
|-----------|------------|----------------|----|
| 序号 NO. | 名称 Name | 描述 Describe | 图示 |
| 1 | 充电仓上盖 | 黑色 ABS | |
| 2 | 充电仓下盖 | 黑色 ABS | |
| 3 | 充电仓内托 | 黑色 ABS | |
| 4 | 耳机软胶 | 黑色 TPE | |
| 5 | 装饰片 | 黑色 ABS+电镀 | |
| 6 | 耳机电池盒 | 黑色 ABS | |
| 7 | 耳壳 | 黑色 ABS | |
| 8 | 数码管镜片 | 黑透亚克力胶片 | |

5. 产品概要 PRODUCTS OUT-LINE

| | |
|--|--------------------------------|
| 频响范围 Frequency Range | 20Hz-20KHz |
| 阻抗 impedance | 22Ω±15% |
| 接口类型 Interface Type | 无线 |
| 灵敏度 Sensitivity | 98±3dB |
| 最大承载功率 Maximum carrying power | 5mw |
| 喇叭单元 Speaker unit | Diameter 13mm*2 |
| 重量 Weight | 64.0g |
| 蓝牙版本 bluetooth version | 5.3 |
| 支持蓝牙配置文件 Support for Bluetooth profiles | HFP, HSP A2DP AVRCP |
| 工作距离 working distance | 大约 10m 视线 |
| 线控支持 ios android | 不支持线控 not support wire control |
| 驱动单元类型/直径 Driver Type/Diameter | 直径 13mm*2 |
| 锂电容量 Lithium battery capacity | 110+110mAh |
| 电压 Voltage | 3.7V |
| 充电时间 charging time | 约 1H |
| 使用时间 usage time | 约 160H |
| 耳套 earmuffs | 无 none |

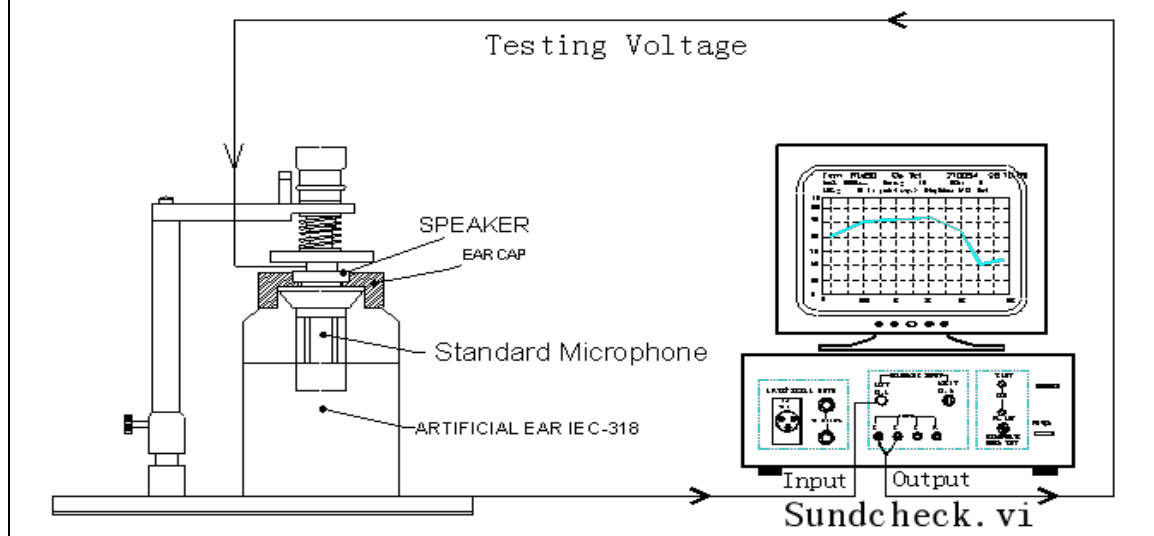
6. 电气性能 Characteristics

| | | |
|---|-----------------------------|--|
| 1 | 动作 (A) OPERATION(A) | 输入相当于 3mW 的正弦波信号, 音质、音量等不可有异常 Input power: 3mW sine wave |
| 2 | 声音异常 BUZZ & RATTLE | 输入扫描频率: 100Hz-2000Hz, 入力: 0.20V, 音质、音量不可有异常 Input frequency: 100Hz-2000Hz, Input power: 0.20V |
| 3 | 阻抗 IMPEDANCE | 22Ω±15% |
| 4 | 灵敏度 SOUND PRESSUER LEVEL | 98±3dB (at 1KHz 1mW IEC-318) |

| | | |
|---|-----------------------------|---|
| 5 | 相位 POLARITY | 单声道相位 L and R channel drivers shall drive with same polarity |
| 6 | 周波数特性 FREQUENCY RESPONSE | 与标准特性比较在波折处不可有较显著的异常 It shall resemble to standard frequency within reasonable tolerance coupler  |

8 周波数特性图 (FREQUENCY RESPONSE)

Input: 1mW

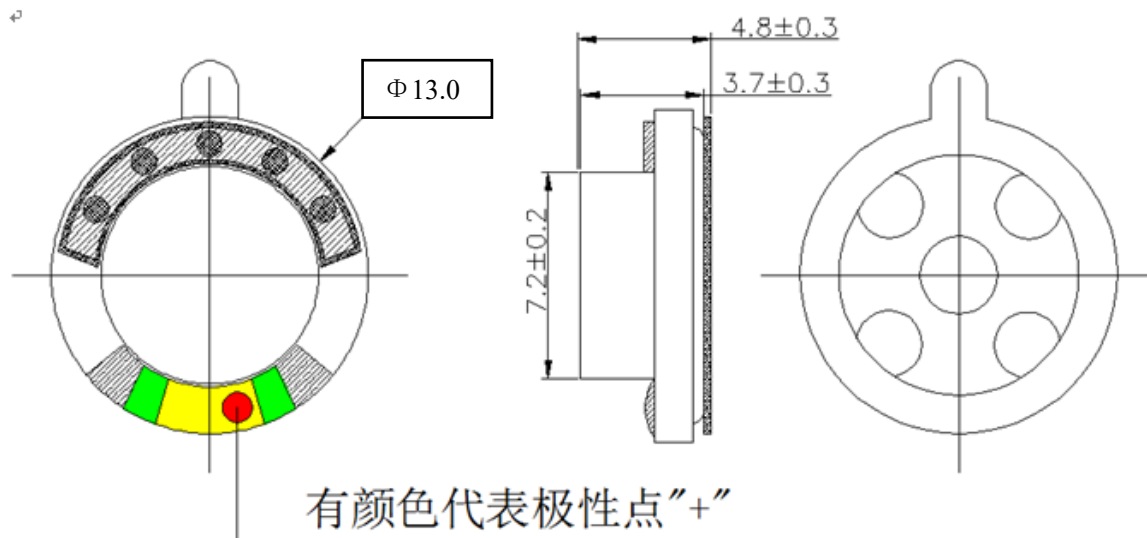


7. 喇叭规格 Speaker specification

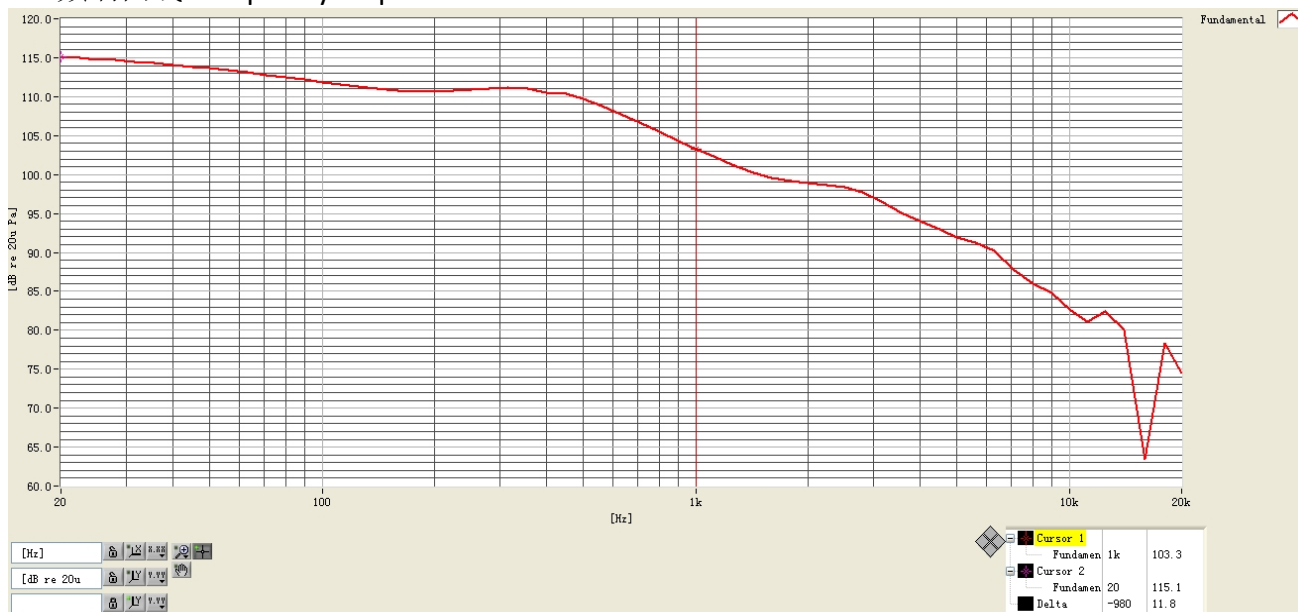
| | | | |
|---|-------------------|--|--------------------|
| WTS10032A-1 | 规格描述 Kite Mark | Φ13 6U 16Ω | |
| Φ13 | 类型 Type | 永久磁铁动圈式扬声器 permanent-magnet dynamic loudspeaker | |
| 项 目 | 规 格 | | 测定条件 |
| 标称阻抗 Nominal impedance | 22Ω ±15% | | At 1000Hz |
| 最低共振周数 Lowest Resonance Frequency | 500Hz ±20Hz | | 0.25V |
| 灵敏度 Sensitivity | 98±3Db | | At 1000Hz/1mW |
| 实际周波数带域 Frequency Response | Fo~20,000Hz | | Output S. P. L±5dB |

| | | |
|-------------------------|-----------------------------------|---|
| 频率范围 Frequency range | 20~20,000Hz | 3mW Test (附图) |
| 输入功率 Input Power | 额定功率 3mW Rated Power Input 3mW | 最大功率 4 mW Max. Power Input 5mW |
| 失真率 Distortion | MAX \leq 3% | less @3mW 1000Hz more than |
| 纯音检测 Sine Wave Test | 正弦波 0.25V sine wave | 50-16000Hz, 无异常不良. Must be normal at sine wave |

8. 图示: diagram form



9. 频响曲线: frequency response curve



10. 常规特性 General Characteristics

| | | |
|---|--|---|
| 1 | 使用时温度范围 OPERATION TEMPERATURE | -10℃~+55℃ |
| 2 | 贮藏时温度范围 STORAGE TEMPERATURE | -20℃~+60℃ |
| 3 | 外观要求 EXTERNAL APPEARANCE | 外观应无明显的损伤、裂开、锈痕、变形等不良现象 Should not exist any kinds of obstacle to be harmful to Normal operation, no and remarkable damages, cracks, rust and distortion which may cause malfunction. |
| 4 | 温湿度试验报告 TEMPERATURE- HUMIDITY TEST | 温度 40±2℃、湿度 90%~95%中 24 小时放置，试验后置常温 2 小时后进行测试，外观、性能不可有异常 Temperature 40±2℃、placed 24 hours, humidity 90%~95%,after trial and placed 2 hours in normal temperature. DUT ,should not find any defect in functional or external appearance ,performance. |
| 5 | 高温试验 HIGH TEMPERATURE TEST | 温度 60±2℃、相对湿度 30%中 24 小时放置，试验后置常温 2 小时后进行测试，外观、性能不可有异常 Temperature 60±2℃、humidity 30% 24 hours of inside place, after trial and placed 2 hours in normal temperature. DUT , should not appear defect on external appearance ,performance. |
| 6 | 低温试验 LOWTEMPERATURE TEST | 温度 -20±2℃中 24 小时放置，试验后置常温 2 小时后进行测试，外观、性能不可有异常 Placed 24 hours in humidity -20±2℃ Temperature, after trial and placed 2 hours in normal temperature and then carry out the test, the DUT should not appear defect on external appearance ,performance. |
| 7 | 高低温循环试验 HIGH-LOW TEMPERATURE CYCLE TEST | 60±2℃ 1 小时→-20±2℃ 1 小时，为 1 循环，共 3 个循环，试验后置常温 2 小时后进行测试，外观、性能不可有异常 60±2℃ 1hours→-20±2℃ 1hours,as 1 cyc. Total 3 cycs, after trial and placed 2 hours in normal temperature and then carry out the test, should not appear defect on external appearance ,performance. |
| 8 | 连续负荷测试 CONTINUOUS OF CHARGE TEST | 让 Earphone 处在自由空间放射状态下，于输入部施加相当于 3mW 的白噪音 96 小时，无异常 Place earphone at the free interspace and at the radiation state then throw 3mW WHITE NOISE to the input part and last 96 hours should no defect. |

11. IC Warning

This device complies with Industry Canada's licence-exempt RSSs. Operation is subject to the following two conditions:

- (1) This device may not cause interference;
- (2) This device must accept any interference, including interference that may cause undesired operation of the device.

Le présent appareil est conforme aux CNR d'Industrie Canada applicables aux appareils radio exempts de licence. L'exploitation est autorisée aux deux conditions suivantes:

- (1) l'appareil ne doit pas produire de brouillage, et
- (2) l'utilisateur de l'appareil doit accepter tout brouillage radioélectrique subi, même si le brouillage est susceptible d'en compromettre le fonctionnement.

The information listed above provides the user with information needed to make him or her aware of a RF exposure, and what to do to assure that this radio operates within the FCC exposure limits of this radio.

The device complies with RF specifications when the device used at 5mm from the body. Third-party belt-clips, holsters, and similar accessories used by this device should not contain any metallic components. Body-worn accessories that do not meet these requirements may not comply with RF exposure requirements and should be avoided. Use only the supplied or an approved antenna.