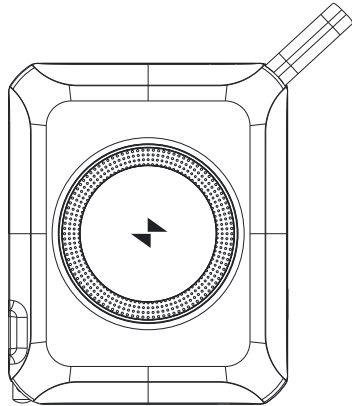
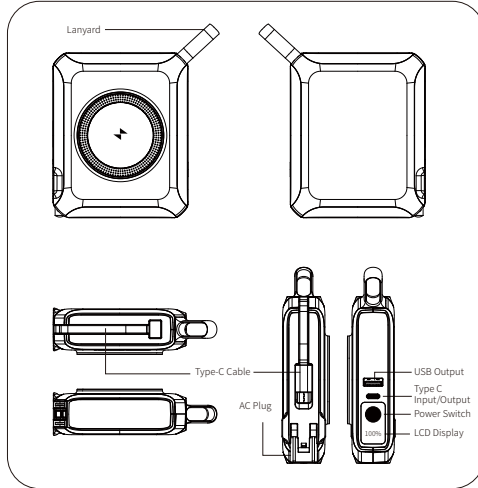


Universal Power Charger



User Manual

Product Diagram



Product Parameter

Item No.: PS-B006WA	Product Name: Universal Power Charger
Material: Fireproof ABS+PC	Battery :10.8V,5000mAh,54Wh
AC Input: 100-240V~50/60Hz 0.5A(Max)	Type-C Input: DCSV-20V PD 45W Max
Type-C Output: DCSV-20V PD 65W Max	Type-C Cable Output: DCSV-20V PD 65W Max
USB-A Output: DCSV~3A, 9V~2A, 12V~1.5A 18W Max	Wireless output: 15W Max
Size: 110x90x28mm	

WHAT'S INCLUDED

1 x Universal Power Charger
Optional Accessories

- 1 x AU Adapter Plug
- 1 x EU Adapter Plug
- 1 x UK Adapter Plug

User Guide



Wall Charger



Laptop Charger



Power Bank



Magnetic Wireless Charger

Note: If the device detects no wireless charging load, the wireless function will enter a dormant state after 32 seconds. To activate wireless charging, users will need to simply short press the power button to wake up the wireless charging function and start charging their device wirelessly, magnetic is only used to facilitate positioning.

CHARGING YOUR DEVICES

Using the Power Bank to charge your devices.

Please use the below charging methods. You are able to charge multiple devices simultaneously. (This product supports the charging of laptops through either the USB-C port or a Type-C cable.)

1. Built-in Type-C Cable
2. USB-A Port
3. Type-C Port
4. Wireless Charger

Using as a pass-through Wall Charger

1. Pull out the Prongs (or connect an Adapter Plug, There should be a click when inserted fully).
2. Connect to a wall outlet.
3. Plug a cable into the the USB-A or Type-C charging port and into your device.
4. You can also use the Magnetic Wireless Charger whilst connected to a wall outlet.

Checking the Battery Level

1. Quick press the power button and the current percentage level will display on the digital screen.
2. Double click the power button or in standby for about 30 seconds, the display and power will be turned off automatically.

RECHARGING THE POWER BANK

There are two ways to recharge the internal battery:

1. Use the Wall Plug & and an AC Outlet
2. Use a Type-C to USB Cable connected to the Type-C Port.

WARNING

The power bank is NOT a toy and should be kept away from children. Please do NOT use the power bank in direct sunlight or extreme heat for extended periods of time. Please do NOT submerge the power bank in water. Please do NOT leave the power bank near the fire. Please do NOT subject the power bank to harsh chemicals. Please do NOT use the power bank if it has been damaged and/or modified. Please do NOT insert any foreign objects into the openings or port of the power bank. Please do NOT attempt to disassemble, repair, or open the power bank in any way.



FCC Caution:

This device complies with part 15 of the FCC Rules. Operation is subject to the following two conditions: (1) This device may not cause harmful interference, and (2) this device must accept any interference received, including interference that may cause undesired operation.

Any Changes or modifications not expressly approved by the party responsible for compliance could void the user's authority to operate the equipment.

Note: This equipment has been tested and found to comply with the limits for a Class B digital device, pursuant to part 15 of the FCC Rules. These limits are designed to provide reasonable protection against harmful interference in a residential installation. This equipment generates uses and can radiate radio frequency energy and, if not installed and used in accordance with the instructions, may cause harmful interference to radio communications. However, there is no guarantee that interference will not occur in a particular installation. If this equipment does cause harmful interference to radio or television reception, which can be determined by turning the equipment off and on, the user is encouraged to try to correct the interference by one or more of the following measures:

- Reorient or relocate the receiving antenna.
- Increase the separation between the equipment and receiver.
- Connect the equipment into an outlet on a circuit different from that to which the receiver is connected.
- Consult the dealer or an experienced radio/TV technician for help.