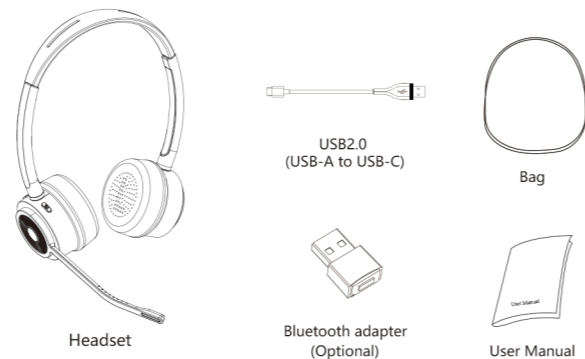


Bluetooth Headset



User Manual

1 Packing list

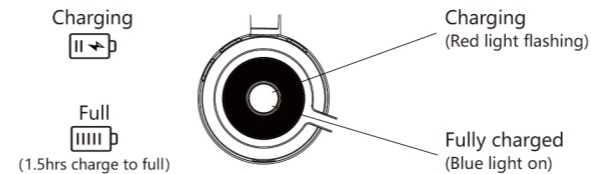


2 USB charging

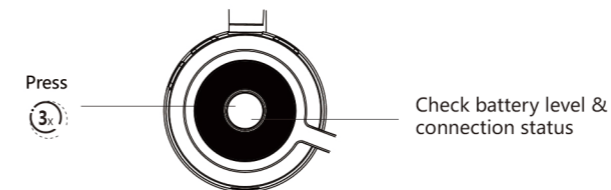
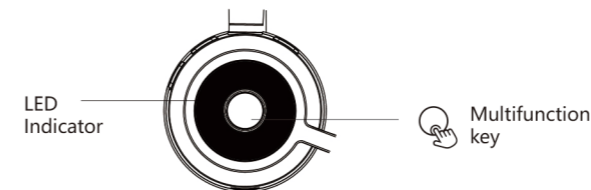


Note: It is recommended to use 5V charger, and fully charge the headset for the first time, other specification charger may cause compatibility issues that prevent them from working properly.

LED Indicator Status



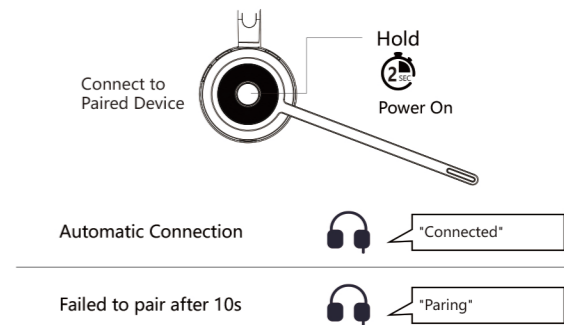
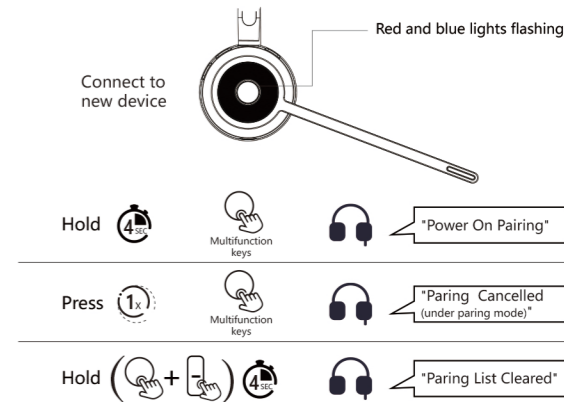
3 On/Off/Battery/Connection Status



4 Pairing and Device Connection

Built-in Bluetooth

Step 1: Enter pairing mode



Note: A paired device will be automatically connected to headset when power on the headset.

Step 2: Select the headset from the Bluetooth device list



Note: If your PC doesn't have built-in Bluetooth, you need to pair the headset with a Bluetooth dongle.

• Pairing with dongle

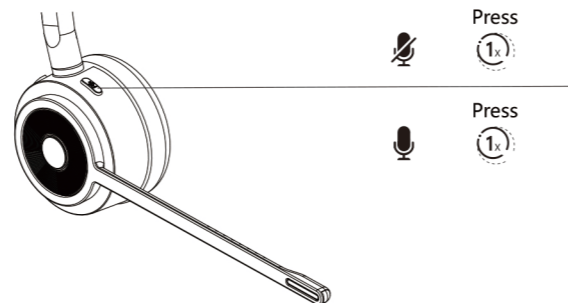
Connect				"Blue Light Flashing Slowly"
Hold				"Blue Light Flashing Fast"
Hold				"Power On Pairing"
Wait				"Blue Light On"

5 Call control and LED indicator

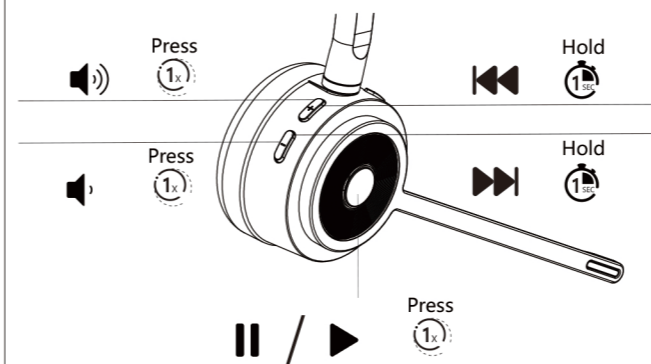
Answer Call	Press
End Call	Press
Reject call	Press
Hold call	Press
Resume call	Press
Answer 3rd party call	Press
End 3rd party call	Press
Answer 3rd party call and hold current call	Press
Switch the calls	Hold



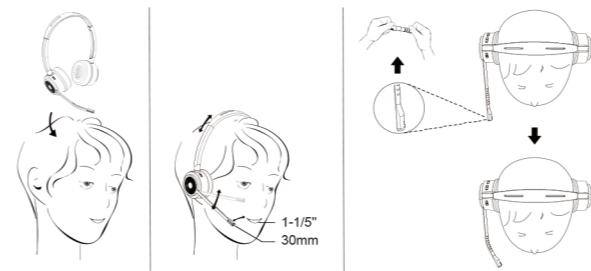
Multifunction key



6 Music control



7 Wear the Headset



Notes

- To give you a more efficient charging experience, please use the provided cable.
- The red light is flashing on during charging, and bluelight will be on when the battery is fully charged.
- When the battery level is low, the headset will have a voice prompt "recharge headset".
- During use, click the "Multifunction key" three times to check the current battery level and connection status.
 - battery high 60%-100%
 - battery medium 20%-60%
 - battery low <20%
- Follow below operations to check battery level and connection status.

Operations	Connection Status	LED Indicator	Voice Prompt
Triple click multifunction key	Connected(Standby or Music on)	Blue light on for 2s	"Battery high /medium/ low" "Connected"
Triple click multifunction key	Disconnected	Red light on for 2s	"Battery high /medium/ low" "Disconnected"

Safety Instructions

- Do not disassemble this product or put it into fire or water to avoid short circuit, electric leakage, or damage to the product.
- Don't use this product in high temperature, humid, or corrosive environments to avoid failures.
- Don't contact this product with corrosive liquids, as it may cause serious damage.
- Don't disassemble or modify this product for any reason to avoid secondary failures and burns.
- Don't place the product at temperatures below -10°C or above 55°C.
- Don't place the product at temperatures below 0°C or above 45°C while charging.
- Don't strike, throw, or strongly shock this product, as rough methods can damage the internal circuit board structure.

FCC Caution

Any Changes or modifications not expressly approved by the party responsible for compliance could void the user's authority to operate the equipment.

This device complies with part 15 of the FCC Rules. Operation is subject to the following two conditions: (1) This device may not cause harmful interference, and (2) this device must accept any interference received, including interference that may cause undesired operation.

Note: This equipment has been tested and found to comply with the limits for a Class B digital device, pursuant to part 15 of the FCC Rules. These limits are designed to provide reasonable protection against harmful interference in a residential installation. This equipment generates, uses and can radiate radio frequency energy and, if not installed and used in accordance with the instructions, may cause harmful interference to radio communications. However, there is no guarantee that interference will not occur in a particular installation. If this equipment does cause harmful interference to radio or television reception, which can be determined by turning the equipment off and on, the user is encouraged to try to correct the interference by one or more of the following measures:

- Reorient or relocate the receiving antenna.
- Increase the separation between the equipment and receiver.
- Connect the equipment into an outlet on a circuit different from that to which the receiver is connected.
- Consult the dealer or an experienced radio/TV technician for help.

This device complies with FCC radiation exposure requirement set forth for an uncontrolled environment.