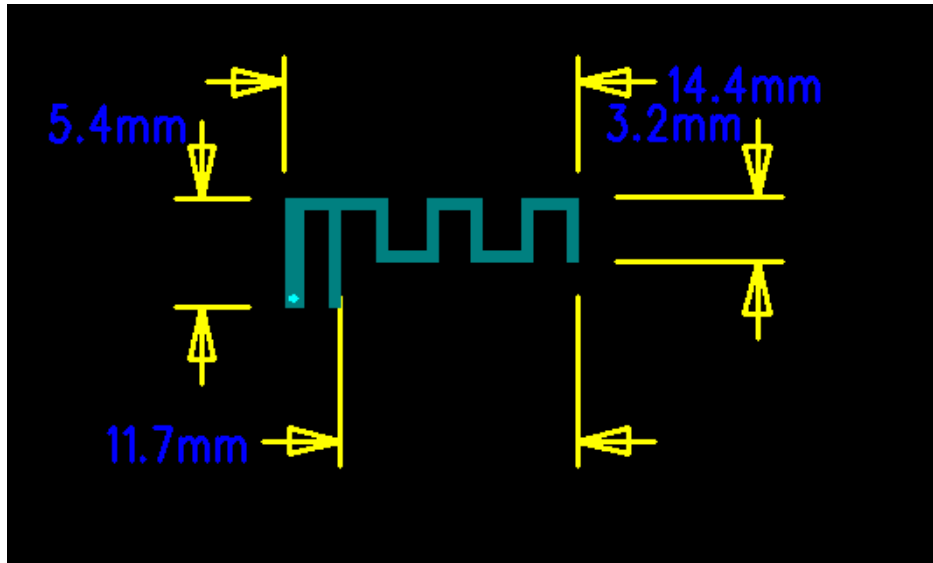


Manufacturer: Shenzhen JiaYuXiang Acoustics Electronic Co.,Ltd
 Address: Floor 2-5, Building 7, Houhai Industrial Park, Liyuhe Industrial Zone,
 Loucun Community, Xihu Street, Guangming District, Shenzhen City

Model No.: T17-T

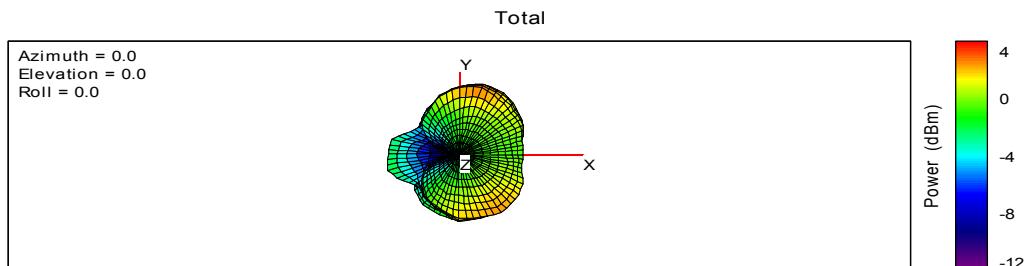
ANT

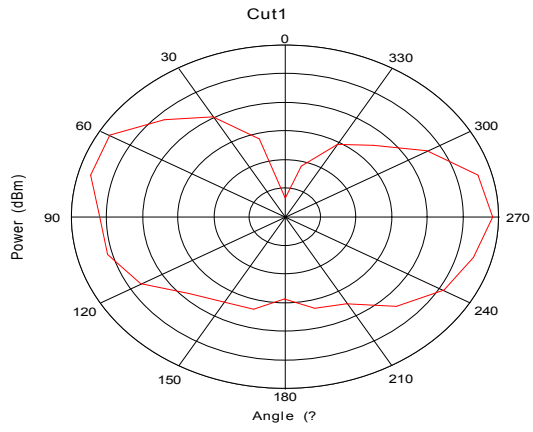


Gain and Efficiency

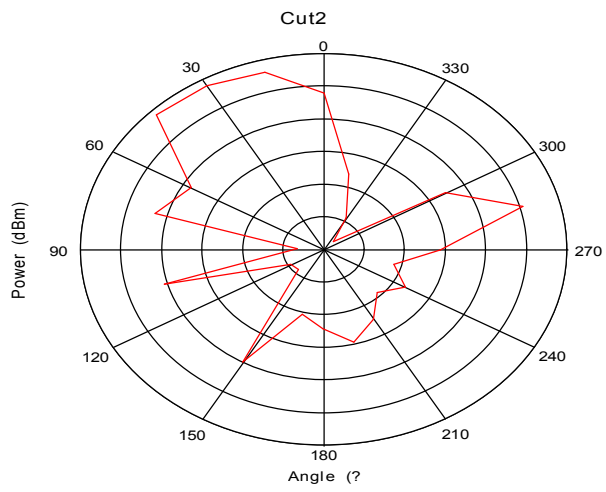
Frequency (MHz)	Efficiency(%)	Gain(dBi)
2280	33.54	0.70
2300	27.85	-0.04
2320	29.01	0.44
2340	26.23	0.07
2360	24.64	-0.83
2380	22.00	-1.24
2400	24.76	-1.52
2420	31.57	0.20
2440	38.13	0.87
2460	39.98	1.04
2480	41.93	1.30
2500	45.60	1.66
2520	44.01	2.12
2540	43.24	2.24

3D and 1D Radiation Patterns

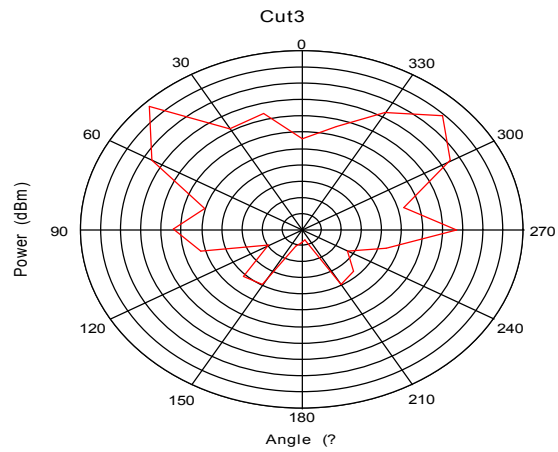




Max: 0
Min: -12
Scale: 2/div



Max: 0
Min: -12
Scale: 2/div



Max: 3
Min: -8
Scale: 1/div