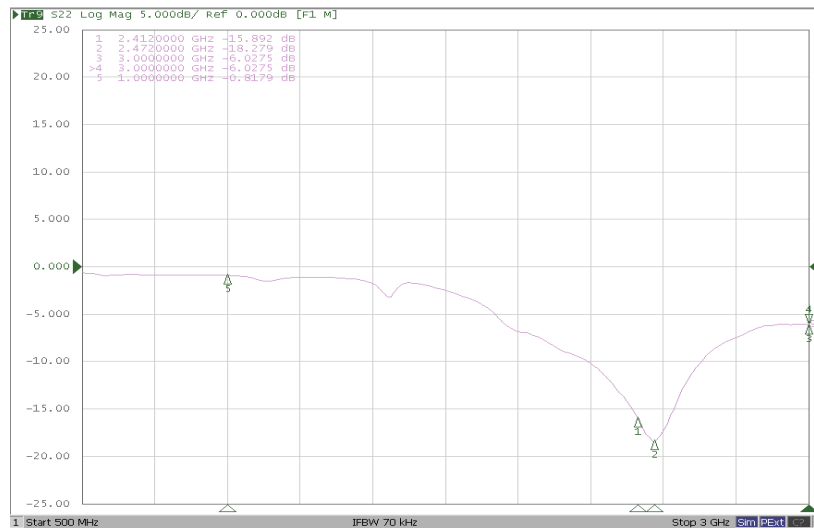


Client	Shenzhen Auros Technology Innovation Co., Ltd.	Date	02/25/2024
Product	WT02/WT06 probe	Tested by	Wilson Huang

## Antenna layout

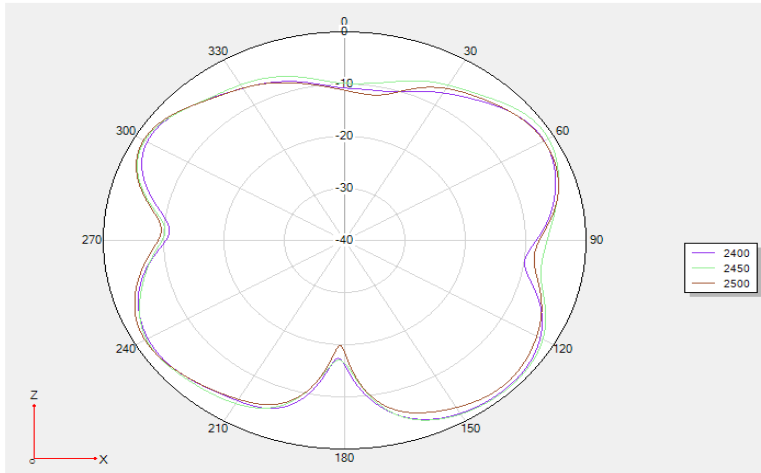
## Test Data

Frequency (MHz)	Efficiency (dB)	Efficiency (%)	MaxGain (dBi)
2400	-5.63	27.4%	-0.38
2410	-5.54	27.9%	-0.27
2420	-5.48	28.3%	-0.33
2430	-5.38	29.0%	-0.49
2440	-5.46	28.4%	-0.61
2450	-5.11	30.8%	-0.62
2460	-5.24	29.9%	-0.73
2470	-4.96	31.9%	-0.36
2480	-4.81	33.0%	-0.51
2490	-4.90	32.4%	<b>-0.14</b>
2500	-5.29	29.6%	-0.89

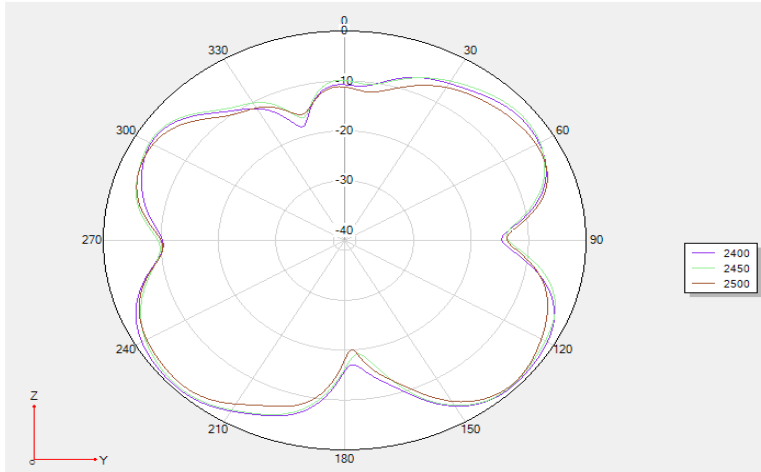


# Test Pattern, 2D

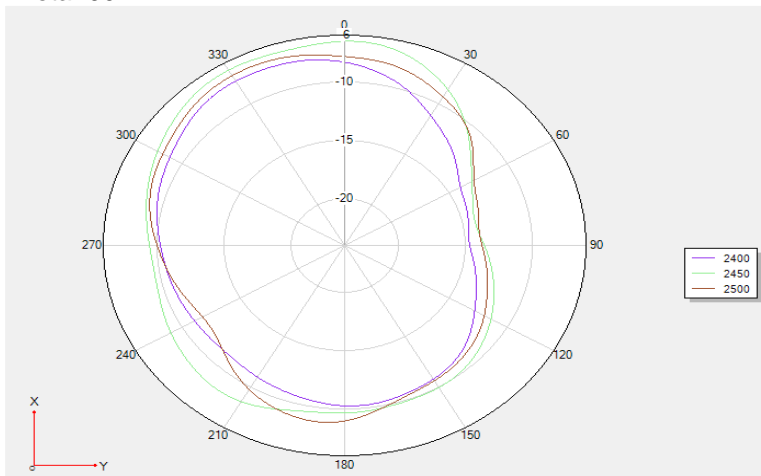
## Phi=0 2D



## Phi=90 2D



## Theta=90 2D



# Test Pattern, 3D

