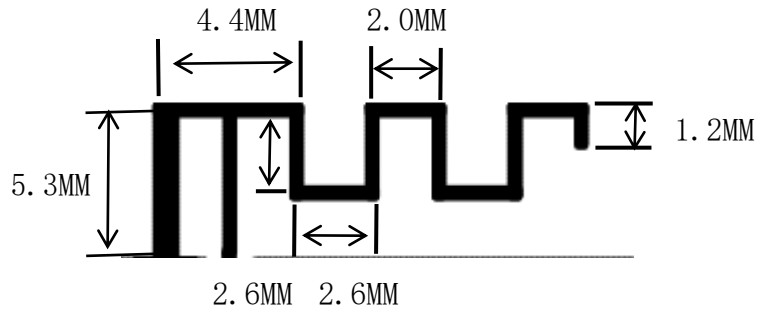


## ANTENNA SPECIFICATION

### Summary

|                      |                         |         |         |          |         |         |
|----------------------|-------------------------|---------|---------|----------|---------|---------|
| ITEM                 | ANT SPEC                |         |         |          |         |         |
| Model Name           | 2.4G 板载ANT              |         |         |          |         |         |
| Center Frequency     | Horizontal              |         |         | Vertical |         |         |
|                      | 2400Mhz                 | 2450Mhz | 2500Mhz | 2400Mhz  | 2450Mhz | 2500Mhz |
|                      | -1.57                   | -0.83   | 0.0     | -6.4     | -3.53   | -2.42   |
| MAX. Gain            | 0.0dBi                  |         |         |          |         |         |
| Polarization         | Horizontal and Vertical |         |         |          |         |         |
| Azimuth Beam pattern | Omni-directional        |         |         |          |         |         |
| Impedance            | 50 Ohm                  |         |         |          |         |         |
| Antenna Length       | 30.8mm                  |         |         |          |         |         |
| Manufacture          | 惠州市鼎成鑫亿电子有限公司           |         |         |          |         |         |

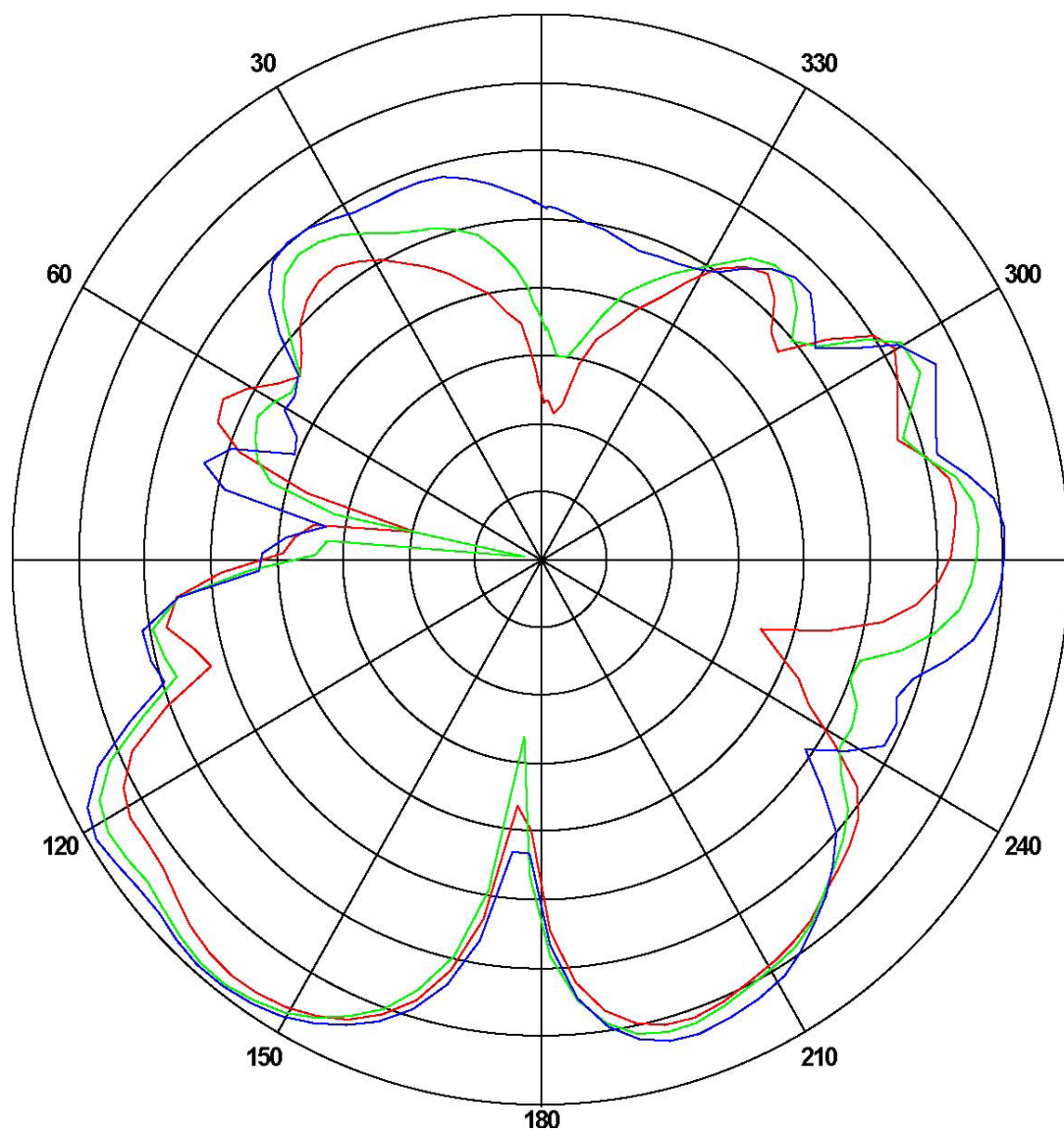
### Antenna Photo & Length(mm)



Horizontal:2400MHz 2450MHz 2500MHz

Power (dBm)

Max:0 Min:-40 Scale:5/div

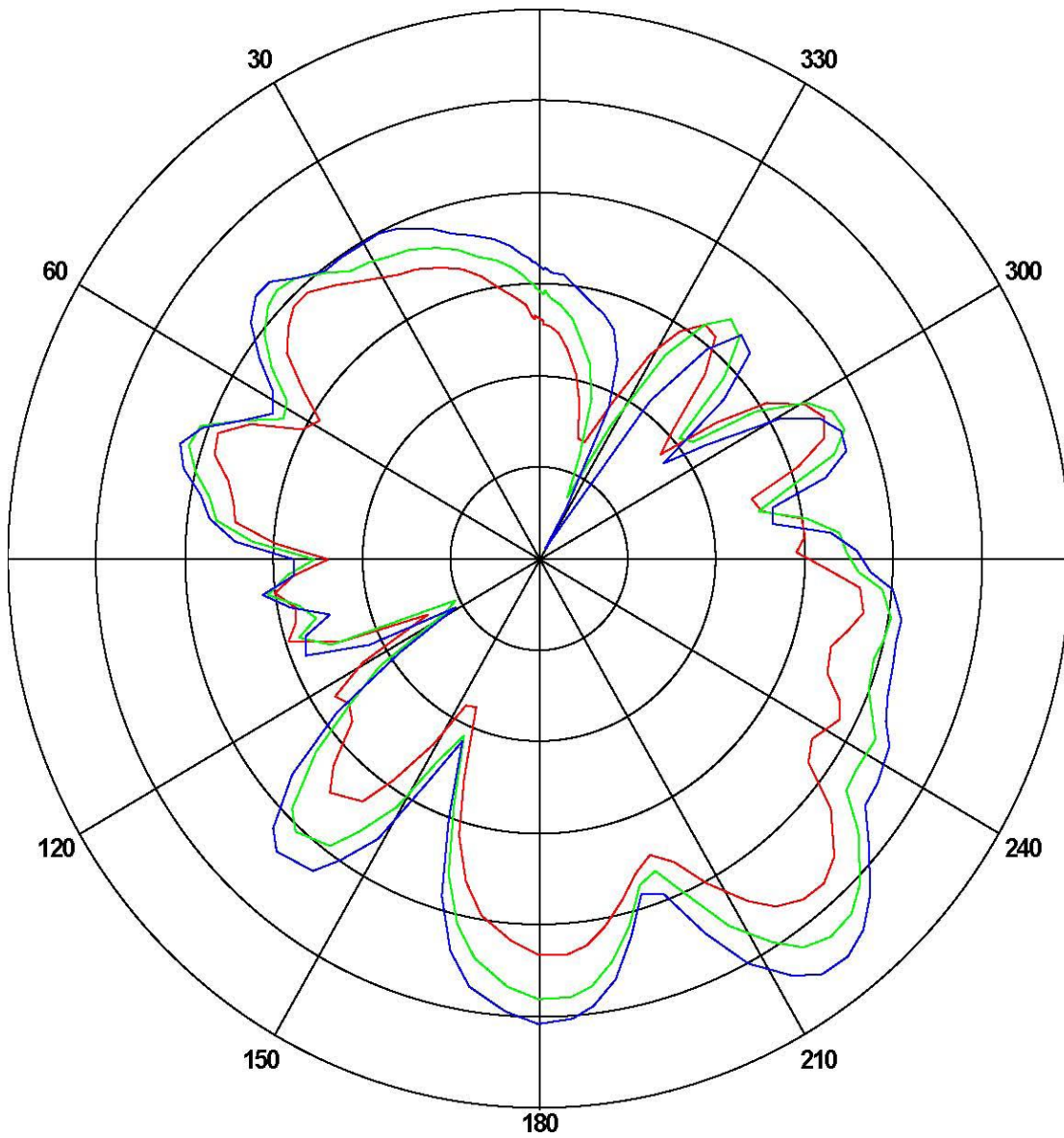


| Frequency (MHz) | Gain (dBi) |          |          |
|-----------------|------------|----------|----------|
|                 | Max        | Min      | Avg      |
| 2400            | -1.75168   | -30.0717 | -8.45237 |
| 2450            | -0.83632   | -38.4975 | -7.86975 |
| 2500            | 0          | -24.0188 | -6.77921 |

Vertical:2400MHz 2450MHz 2500MHz

Power (dBm)

Max:0 Min:-30 Scale:5/div



| Frequency (MHz) | Gain (dBi) |          |          |
|-----------------|------------|----------|----------|
|                 | Max        | Min      | Avg      |
| 2400            | -6.1318    | -24.1497 | -13.0331 |
| 2450            | -3.7495    | -26.5492 | -10.6795 |
| 2500            | -2.3976    | -30.4803 | -9.7529  |