

WIRELESS HANDS FREE CAR KIT

With FM Transmitter
and PD 45W (MAX) Fast charging



Model: MT04



Friendly Tips:

After receiving the product, do not hurry to insert the product into the cigarette lighter hole of the car. After starting your car, firstly an idle FM channel with no local radio station program is patiently on the car radio, and the standard is a slight rustling sound. Then insert the product into the cigarette hole, and adjust the same FM frequency of the product to the FM frequency of the car. At this time, the car radio will be very quiet and there is no static interference. (If it's still not quiet, try to find new ones again, free channel), and finally, connect your phone to the product via wireless. When they are paired successfully, you can enjoy the song from your phone.

This Wireless car FM transmitter allows you to transmit music and calls directly from your Wireless device to your car FM audio system. The built-in Wireless V5.3 provides a hands-free call function and music transmission. It also has two fast charging ports 【5V/2.4A (USB) + PD 45W (max)】, which will greatly save time charging your phone. Please read the user manual carefully before use. Hope this device will make your driving more fun and safer.

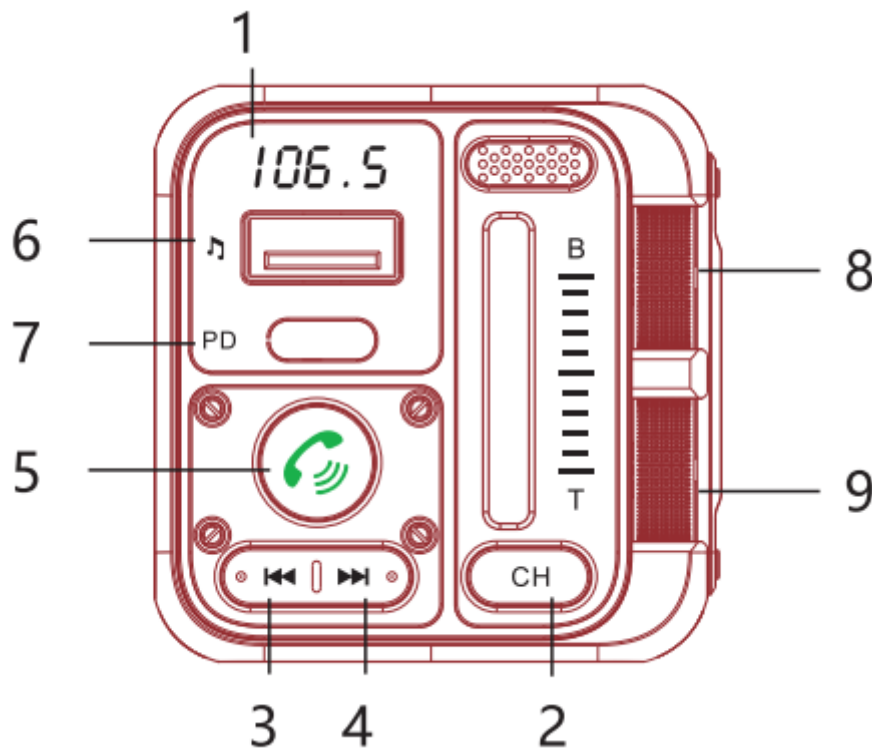
Package contents:

Car Wireless FM Transmitter
User Manual

Specifications:

Model	MT04
Wireless Version	V5.3
Wireless Connection Distance	10M
Frequency range	88.1~107.9MHz
FM transmission distance	about 3M
Input	DC12-24V
USB-A Output	5V=2.4A(12W)
USB-C Output	5V=3A,9V=3A,12V=3A,15V=3A,20V=2.25A(PD45W max)
USB flash drive music:(Max capacity)	≤64G
Music format	MP3,WMA,WAV APE,FLAC
Total power	12V: 48W , 24V: 57W(Max.)

Product Overview:



1.Screen (displays battery voltage/bt/FM channel)

2.CH button:

1. Click to enter CH FM mode, click again to exit FM mode;
2. Press and hold for 2 seconds to turn off the power (Bluetooth off, Transmitter off, Lights off, Screen off) NOTE: The charging function can be used normally after the power is turned off.

3.Multi-function buttons:

1. CH FM mode, this button controls CH-
2. Music play mode: this button controls the previous song

4.Multi-function button:

- 1.CH FM mode,this button can control CH+
- 2.Music play mode, this button can control the next song

5.Phone multifunction buttons:

1. play/pause/answer/hang up/long press 2S to reject call;
2. long press 2S to wake up Siri and Google Voice Assistant, press again to exit;
3. press twice to turn off the ambient light, press again twice to turn on the ambient light (no memory function, ambient light comes on every time you turn on the phone)

6. “🎵”ports: Support 12W charging, support up to 64GU disk music playback.

7. Type-C ports: PD3.0 (45W max) charging port.
8. Bass Metal Wheel: Slide to control the intensity of the bass sound effect.
9. Soprano Metal Wheel: Slide to control the intensity of the treble sound effect.

How to use:FM Transmitter Radio

1. Tune your car radio to a clean,empty channel with no programming.

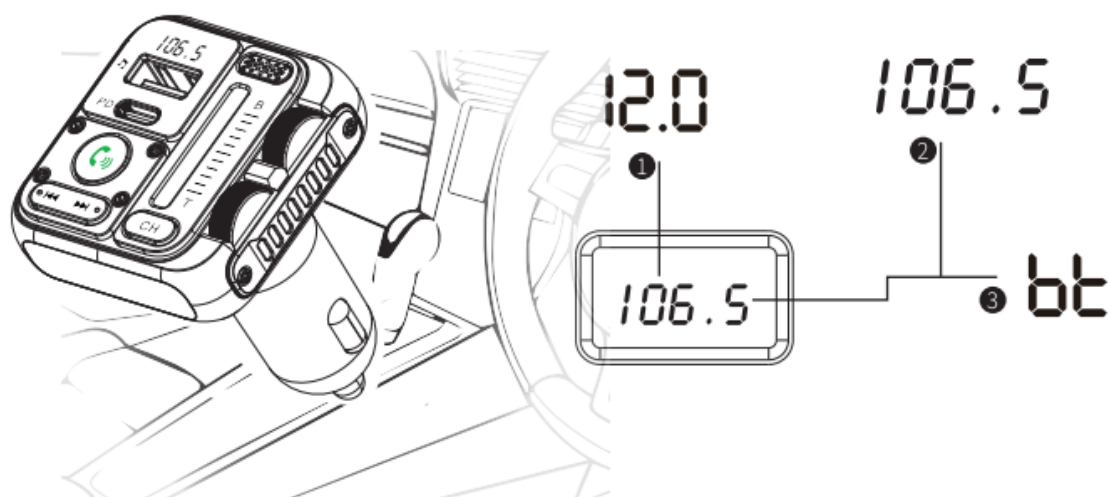


Tips

What is a blank channel?

-A blank channel with no programming will only make a slight rustle or snow sound on your car radio.

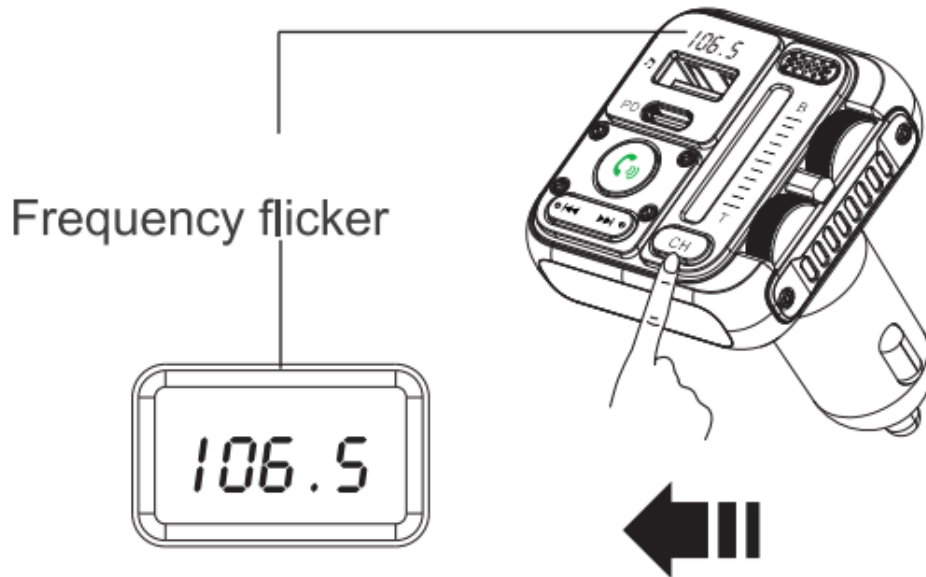
2.Plug the FM transmitter into the cigarette lighter or power port.It will be automatically powered on with the LED displaying thevehicle's battery voltage, FM frequency, then showing theword"bt".



3. Press the CH button to enter FM mode, the digital channel on the display will flash.

4. Click or hold down the "◀◀" or "▶▶" button to adjust the frequency left or right to adjust the frequency of the device to the same frequency as the car radio.

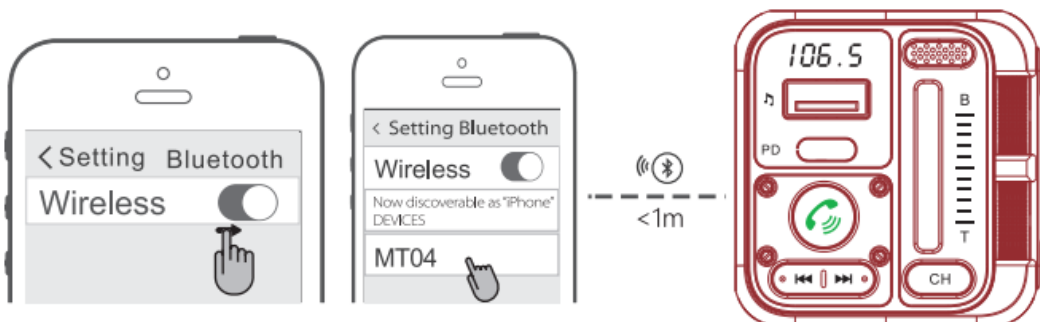
5. After adjusting the channel of this unit and the empty channel found by the car radio to be the same, the rustling sound of the car stereo will become quiet and disappear, and after the channel matching is successful, you can insert the USB flash disk or connect the Bluetooth to transfer the music to the car stereo to play;



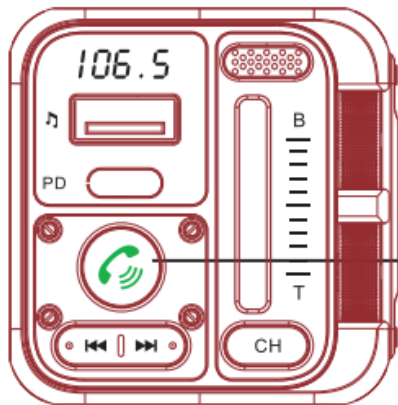
Click or hold to adjust the frequency

Wireless Pairing:

1. When the LED display shows "bt" and the device will enter into Wireless pairing mode.
2. Enable Wireless on the device you want to pair.
3. Search and select ID "**MT04**" from the list, then connect.
4. If asked enter the pairing code '0000' or '1234'.



Wireless Calling:



- Short press: Answer
- Short press: Hang up
- Long press1: Reject call
- Long press1: Handset/Hands-free

Short press:

-- Answer

Short press:

----- Hang up

Long press1:

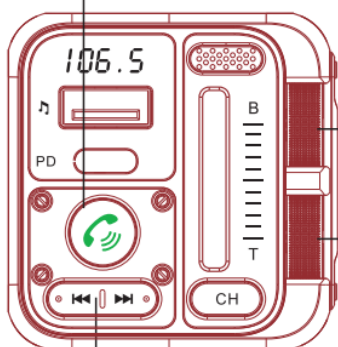
---- Reject call

Long press1:

--- Handset/Hands-free

Playing and Controlling the Music:

1. play/pause/answer/hang up/long press 2S to reject call;
2. long press 2S to wake up Siri and Google Voice Assistant, press again to exit;
3. press twice to turn off the ambient light, press again twice to turn on the ambient light (no memory function, ambient light comes on every time you turn on the phone)



- Scroll up: treble equalizer boost
- Scroll down: treble equalizer down.
- Scroll up. Bass equalizer boost.
- Scroll down: Bass EQ weakened.

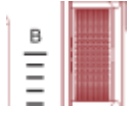
- Short press on the previous song
- Short press Next song



-Short press on the previous song

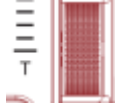


-Short press Next song



-Scroll up. Bass equalizer boost.

-Scroll down: Bass EQ weakened.



-Scroll up: treble equalizer boost

-Scroll down: treble equalizer down.



1. play/pause/answer/hang up/long press 2S to reject call;
2. long press 2S to wake up Siri and Google Voice Assistant, press again to exit;
3. press twice to turn off the ambient light, press again twice to turn on the ambient light (no memory function, ambient light comes on every time you turn on the phone)



Note: Bass and treble EQ adjustment effect is very strong, it is recommended to work together to adjust to the best state, adjusted to the highest alone, easy to affect the sense of listening

USB flash drive music playback:



Support format: FAT32 format USB flashdrive that has not been used as a computerboot disk

Supported capacity: up to 64G

Using the voice assistant function:

When the phone is connected to Bluetooth, press and hold the "" button for 2S to wake up the Siri or Google voice assistant function, press the "" button again to exit after using;

Using the ambient light function:

Normal power use, the ambient light will breathe slowly, play music will follow the rhythm of the music, such as in the use of ambient light do not want to ambient light, you can press the "" key twice to turn off the ambient light, so as not to interfere with the driving line of sight, after the closure of the key can be pressed "" key two times, once again (Note: such as the closure of the next time to start the car, the ambient light will be turned on again)

USB charger

USB socket with music logo supports up to 64GB FAT format Udisk for music playback and supports 5V 2.4A current output for charging.

The Type-C interface is an independent PD3.0 interface that supports 5V/3A, 9V/3A, 12V/3A, 15V/3A, and 20V/2.25A fast-charging protocols, with a maximum output power of PD45W, which meets the fast-charging needs of most new mobile devices.

Music playback source selection

1. When connected to the Wireless, open the phone music player and click play to play wireless music.
2. This machine defaults to inserting audio source priority play if you need to play U disk music, please insert the U disk into the "♪ " port of this machine, and the screen shows the word USB will automatically play the music in the U disk.

Tips. U disk music does not support playing music in folders, please do not store the songs in folders by category.

Cautions:

1. When the car's battery voltage is less than 12V, the LED display will flash to remind you to charge the car battery.
2. The transmitter will connect to the pre-set phone automatically when turning it on. (Keep Wireless function activated).
3. Hang up via the phone if answering with the handset.
4. Please do not use the transmitter in severe high temperatures, humidity, or dusty or corrosive environments.
5. Please remove the product from the cigarette lighter when not in use for a long time.
6. Never disassemble the product without due permission, otherwise, the warranty will be invalid.

Customer Service

All SOARUN products come with a 12 month warranty since purchase date. We have professional service team for your support. If you have any question or problem which you would like a REPLACEMENT or REFUND, please kindly contact our following after sale email.

UK after sale: sales-uk@sonrudirect.com

US after sale: sales-us@sonrudirect.com

Federal Communications Commission (FCC) Statement. This device complies with part 15 of the FCC Rules. Operation is subject to the following two conditions:

(1) This device may not cause harmful interference, and

(2) this device must accept any interference received,

including interference that may cause undesired operation. Note: This equipment has been tested and found to comply with the limits for a Class B digital device, pursuant to part 15 of the FCC Rules. These limits are designed to provide Reasonable protection against harmful

interference in a residential installation. This equipment generates, uses and can radiate radio frequency energy and, if not installed and used in accordance with the instructions, may cause harmful interference to radio communications. However, there is no guarantee that interference will not occur in a particular installation. If this equipment does cause harmful interference to radio or television reception, which can be determined by turning the equipment off and on, the user is encouraged to try to correct the interference by one or more of the following

measures:

- Reorient or relocate the receiving antenna.
- Increase the separation between the equipment and receiver.
- Connect the equipment into an outlet on a circuit different from that to which the receiver is connected.
- Consult the dealer or an experienced radio/TV technician for help.

Warning: Changes or modifications made to this device not expressly approved by Shenzhen James Audio Technology Co., Ltd. may void the FCC authorization to operate this device. **Note:** The manufacturer is not responsible

for any radio or TV interference caused by unauthorized modifications to this equipment. Such modifications could void the user's authority to operate the equipment.

RF exposure statement:

This device complies with FCC RF radiation exposure limits set forth for an uncontrolled environment. The device is installed and operated without restriction.