

# 深圳市利信辉电子有限公司

## 天线规格承认书

### Antenna Specification for Approval

客户名称

Customer Name: 鑫纳电子

产品名称: \_

Product Name: 2.4G天线 全长35mm

客户型号:

Product Name: \_\_\_\_\_

产品料号:

Part NO.: C10-35-2.5

制表:

Write By: 周敏

日期:

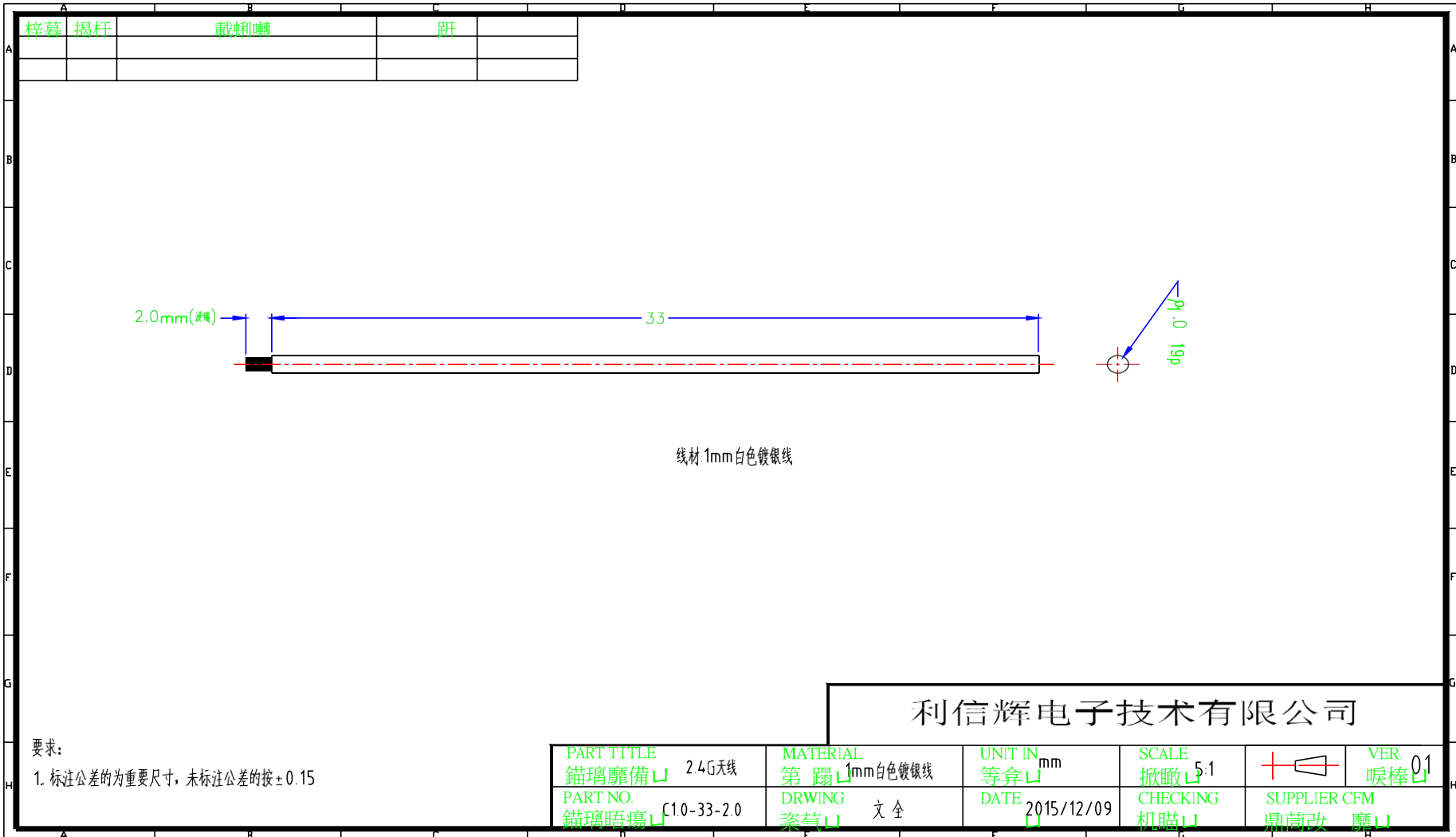
Issued Date: 2018/04/24

### 客 户:

工程R&D Dept	采购Business Dept	承认 Approved By

### 利 信 辉

研发R&D Dept	工程 Engineer Dept	审核 Approval



# Product Specification

## A. Electrical Characteristics Frequency

**2400MHz ~2500MHz VSWR <3.0**

**Efficiency >30%**

**Impedance 50 Ohm**

**Polarization Line**

**Gain 0.17DBi**

## B. Material & Mechanical Characteristics

**Material of Radiator Cu**

**Cable Type 1.0 19P 白色**

**Connector Type : NO**

**Dimension**

## C. Environmental

**Operation Temperature - 30 °C ~ + 80 °C**

**Storage Temperature - 30 °C ~ + 85 °C**

## Test Equipment & Conditions

### 1. Network Analyzers :

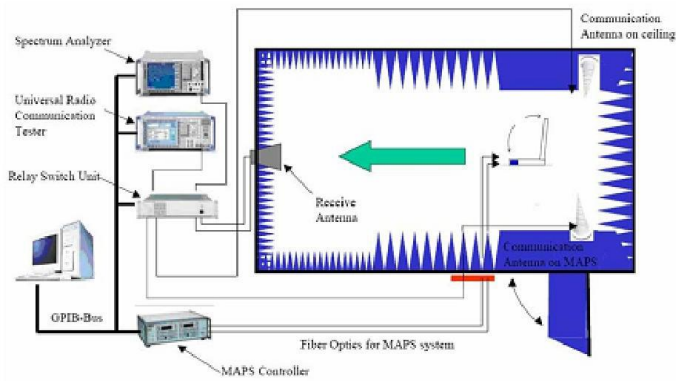
Agilent 8753D 5071B

### 2. Communications Test Set:

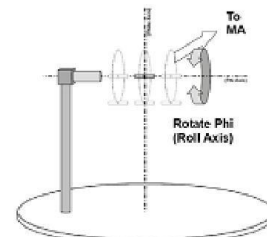
Agilent E5515C

### 3. 3D Chamber Test System

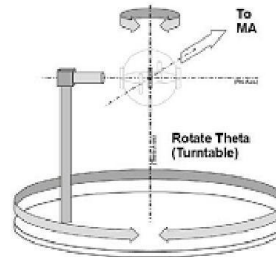
# Efficiency & Gain



(Testing by 3D anechoic chamber)



Phi axis test

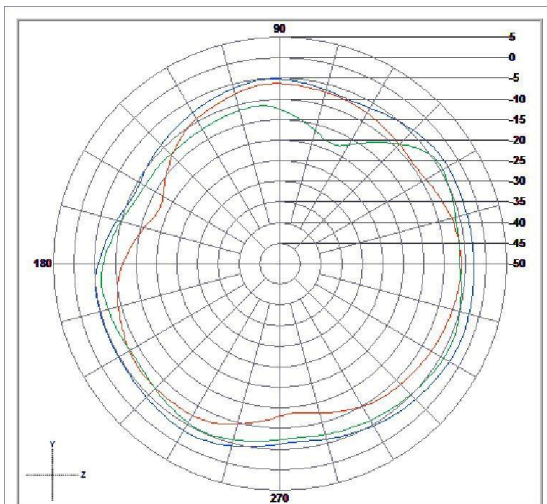


Theta axis test

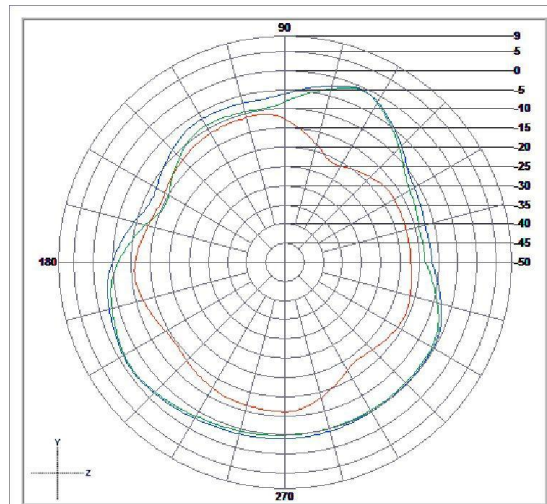
# Efficiency & Gain

2.40	-2.17
2.440	0.12
2.48	0.17

# Radiation Pattern:



	Vertical	Horizontal	Total
Avg. Gain	-8.4	-6.99	-4.63
Peak Gain	-5.48	-3.77	-2.17



	Vertical	Horizontal	Total
Avg. Gain	-13.34	-5.06	-4.46
Peak Gain	-10.3	0.09	0.12

