

SmallRig



Wireless Remote Controller ST-25

Operating Instruction / 操作指引

- Thank you for purchasing SmallRig's product.
感谢您购买 SmallRig 产品。
- Please read this Operating Instruction carefully.
使用本产品之前，请仔细阅读操作指引。
- Please follow the safety warnings.
请注意所有警告提示并遵循使用操作指引的所有指令。

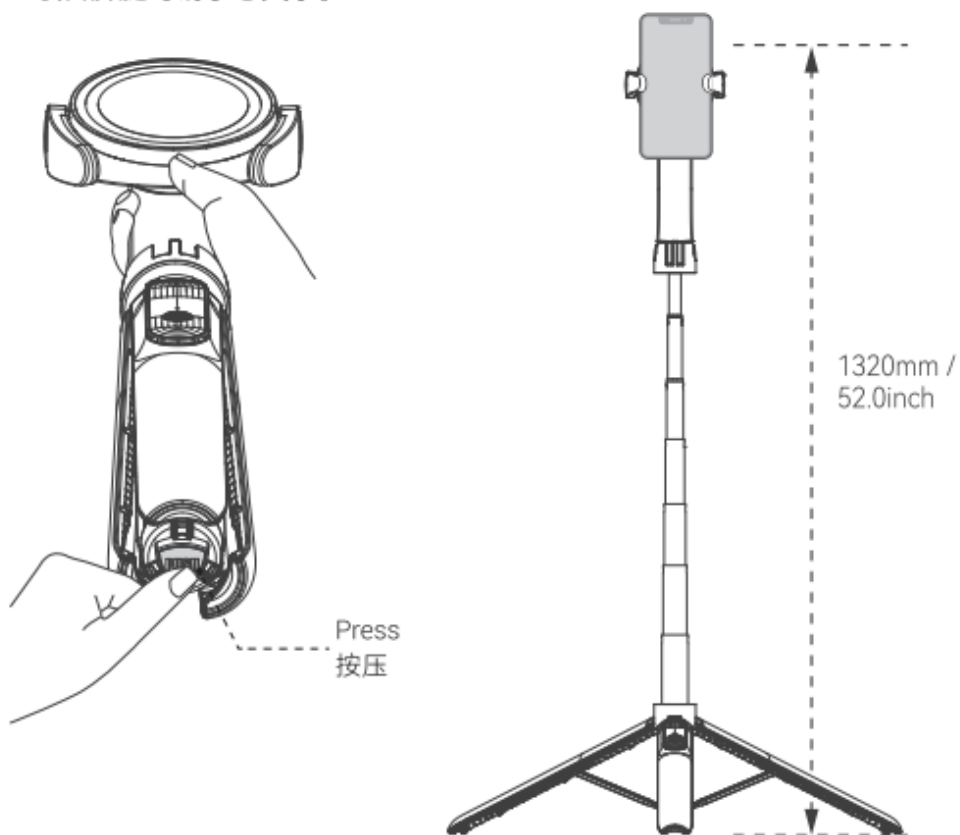
In the Box / 包装清单

Tripod 三脚架	× 1
Remote Control 遥控器	× 1
Storage Bag 收纳袋	× 1
USB-C Charging Cable 充电线	× 1
User Manual 用户手册	× 1
Operating Instruction 操作指引	× 1
Guarantee Card 保修卡	× 1

Method of use / 使用方法

① Selfie Stick / 自拍杆

1. Open the phone holder.
打开手机夹。
2. Press "PUSH" at the base and spread the legs to the maximum angle.
按压底部"PUSH"，拨开脚腿至最大角度。
3. Extend the telescopic pole to the desired height and place it on a flat surface.
将伸缩杆调整至合适高度，并放于水平地面。
4. Be careful not to pinch your fingers when folding the legs.
收合脚腿时请小心夹手。

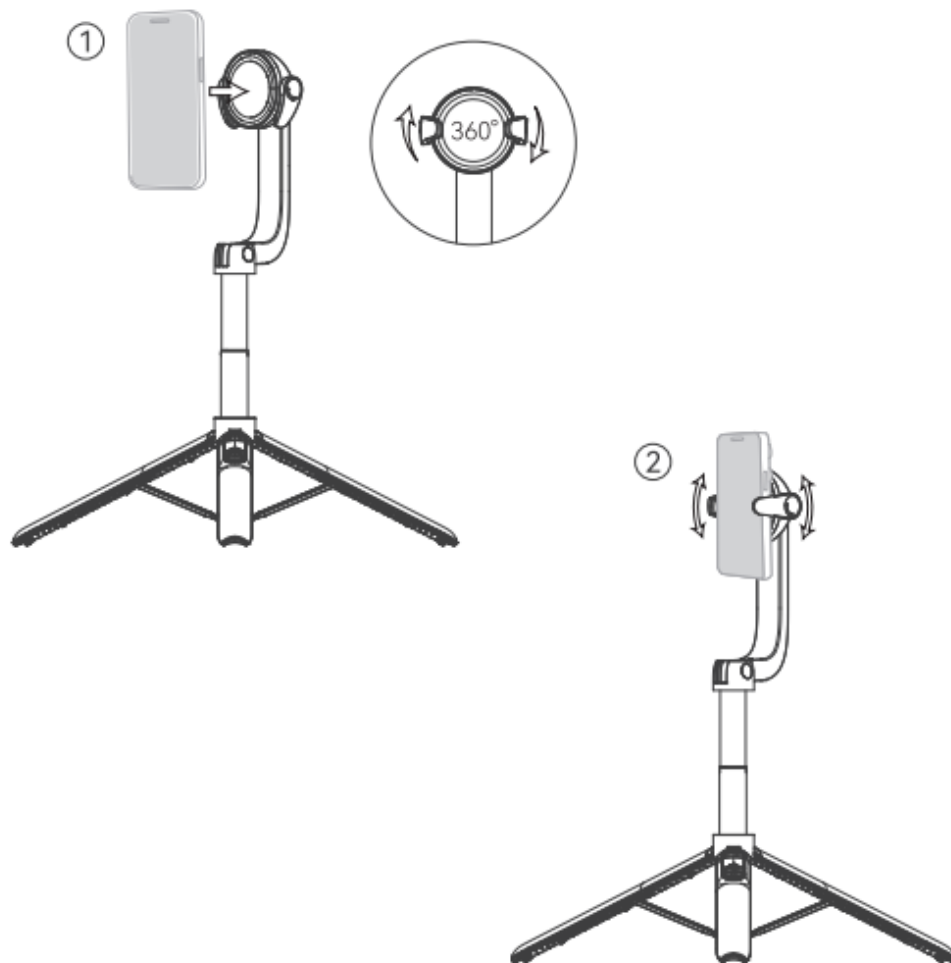


Ps: Be careful not to pinch your fingers when folding the legs.

注：合拢脚架时，注意不要夹到手。

② Suction Cup Phone Holder / 吸盘手机夹

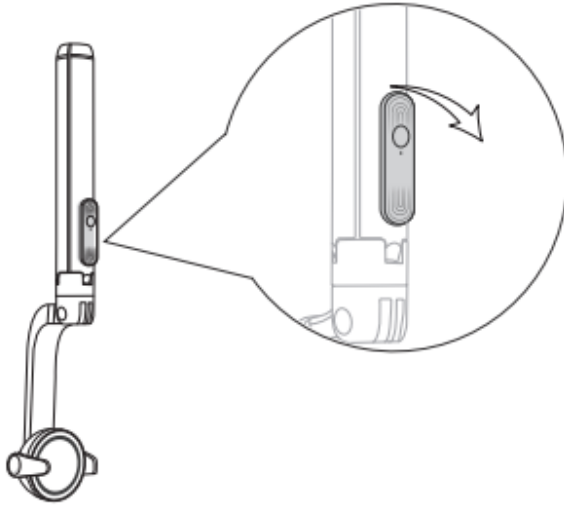
1. Determine the landscape or portrait orientation. The suction cup can rotate 360°.
确定横竖拍方向，吸盘可旋转360°。
2. When using a phone with magnetic functionality, slide the auxiliary clip to the edge of the suction cup and attach the phone to the suction cup.
使用有磁吸功能的手机时，将辅助夹拨至吸盘边缘，将手机吸附在吸盘上。
3. When using a phone without magnetic functionality, remove the auxiliary clip and pull it apart on both sides, then place the phone inside the holder.
使用不带磁吸功能的手机时，将辅助夹拨下并向两侧拉开，将手机放入夹紧。



③ Remote Control / 遥控器

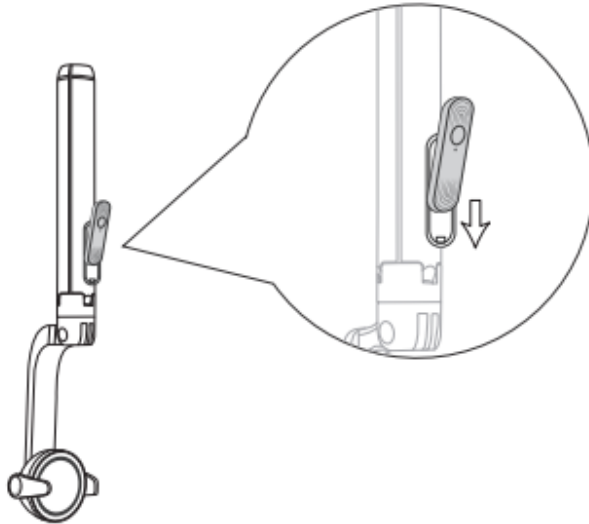
1. **Disassembly:** Turn the selfie stick upside down and gently pull the bottom of the remote control outward.

拆卸：倒置自拍杆，将遥控器底部向外轻轻拉出。



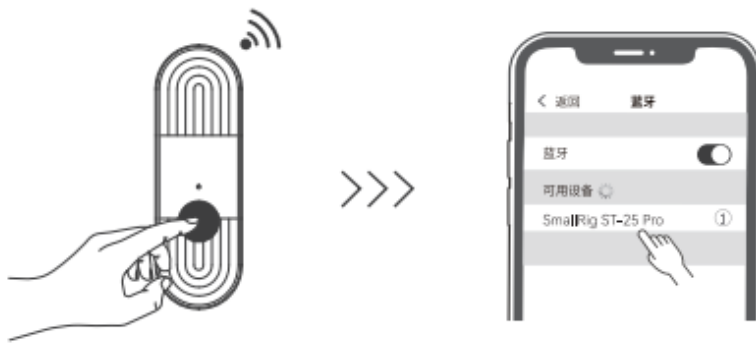
2. **Installation:** Place the top of the remote control into the slot, and then push the bottom in.

安装：先放入遥控器顶部卡槽，再把底部推入。



3. Connection / 连接:

- ① Press and hold the remote control shutter button for 3 seconds, and the green light will flash to indicate the pairing mode.
长按遥控器拍照键3秒，绿灯闪烁则表示进入配对状态。
- ② Turn on your phone's Bluetooth, search for the remote control named "SmallRig ST-25 Pro", and pair it.
打开手机蓝牙，搜索遥控器名称" SmallRig ST-25 Pro "连接配对。
- ③ A solid green light on the remote control indicates a successful connection.
遥控器绿灯长亮则表示连接成功。



4. Taking Photos: Open your phone's camera app and press the remote control button to take a photo.

拍照：打开手机相机，按住遥控器按钮即可拍照。

5. Turn On/Off: Press and hold for 3 seconds to turn on/off.

开关机：长按3s 可开机/关机。

6. Charging / 充电:

- ① When the battery level is low, the red indicator light will start to flash. Please charge it promptly.
当电量较低时红色指示灯开始闪烁，请尽快充电。
- ② Use the included USB-C charging cable to charge the remote control through the charging port.
将标配Type-C 充电线插入遥控器的充电端口进行充电。

7. Sleep Mode / 休眠状态:

- ① If turned on without a paired connection, it will automatically enter sleep mode after 10 minutes, with the indicator light turning off.

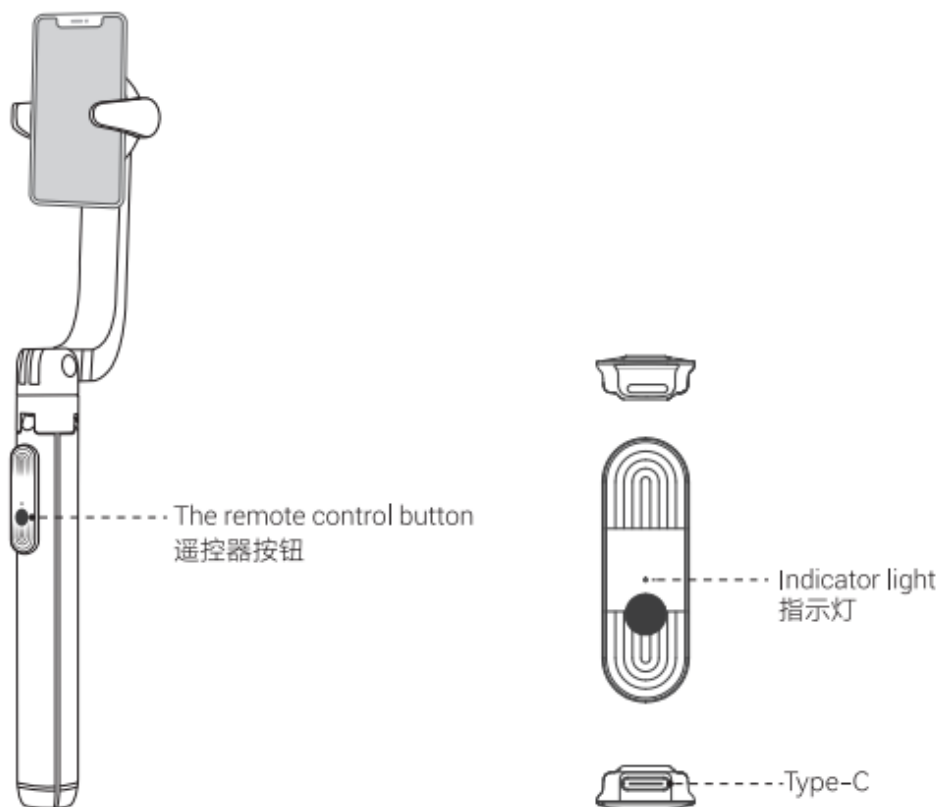
开机后,无配对连接,10分钟后自动进入休眠,指示灯熄灭不再闪烁。

- ② After pairing with the phone, it will automatically enter sleep mode after not taking photos for 10 minutes. If left unused for 30 minutes, it will automatically shut down.

手机配对连接后,不拍照10分钟后自动进入休眠,休眠后30分钟不使用则自动关机。

- ③ To wake from sleep mode: While in sleep mode, briefly press the photo button, the photo indicator light will flash, then enter pairing mode.

休眠唤醒: 休眠状态下,短接一下拍照键,拍照指示灯亮一下,然后进入配对闪烁状态。



Specifications / 产品参数

Material(s) 材质	ABS, Aluminum Alloy ABS、铝合金
Work Height 工作高度	1.5in - 52.0in 390.0mm - 1320.0mm
Payload 支架承重	17.6oz 0.5kg
Storage Height 收纳高度	9.5in 240.0mm
Telescopic Pole Segments 伸缩杆节数	7 7节
Battery Parameter 电池参数	3.7V / 50mAh 0.185Wh
Battery Input 电池输入	5V = 2A
BLE BLE	V5.2
Remote Control Range 遥控距离	32.8ft 10.0m
Phone Clamp Capacity 手机夹适配尺寸	2.2in - 3.3in 55.0mm - 85.0mm

Specifications subject to change without prior notice. Please refer to the physical product for the most up-to-date information.

技术参数如有改动，以实物为准，恕不另行通知。

LQ-B272-18

执行标准: GB/T 26572 - 2011

www.smallrig.com

CE FCC RoHS



FCC ID: 2BC2U-ST-25

Made in China

中国制造



FCC Statement

This equipment has been tested and found to comply with the limits for a Class B digital device, pursuant to part 15 of the FCC rules. These limits are designed to provide reasonable protection against harmful interference in a residential installation. This equipment generates, uses and can radiate radio frequency energy and, if not installed and used in accordance with the instructions, may cause harmful interference to radio communications. However, there is no guarantee that interference will not occur in a particular installation. If this equipment does cause harmful interference to radio or television reception, which can be determined by turning the equipment off and on, the user is encouraged to try to correct the interference by one or more of the following measures:

- Reorient or relocate the receiving antenna.
- Increase the separation between the equipment and receiver.
- Connect the equipment into an outlet on a circuit different from that to which the receiver is connected.
- Consult the dealer or an experienced radio/TV technician for help.

To assure continued compliance, any changes or modifications not expressly approved by the party.

Responsible for compliance could void the user's authority to operate this equipment. (Example- use only shielded interface cables when connecting to computer or peripheral devices).

This equipment complies with Part 15 of the FCC Rules. Operation is subject to the following two conditions:

- (1) This device may not cause harmful interference, and
- (2) This device must accept any interference received, including interference that may cause undesired operation.

RF warning statement:

The device has been evaluated to meet general RF exposure requirement.

The device can be used in portable exposure condition without restriction.