

Dongguan chuangxin micro-electrons
technology co., ltd

acknowledgment

Customer name: Chuangshicai

Product name: 2.4G onboard antenna

Customer Item: C4

Chuangxin micro-material number: CSC-C4-V3.0

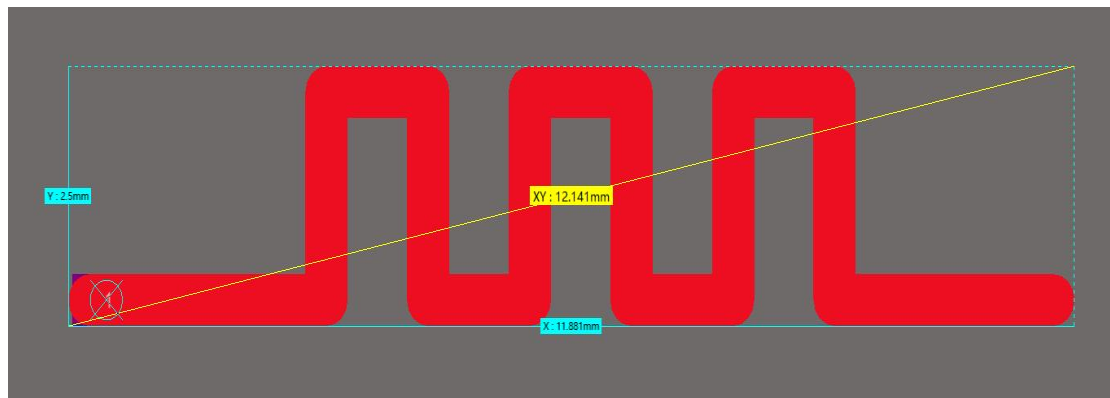
	supplier	client
Making:	Zhang hongda	
Audit:	Peng junfa	
Date:	2023/11/9	

1. Specification sheet

Main technical parameters of products

Frequency range (Mhz)	2400-2500
Characteristic impedance (ω)	50
Gain (dBi)	0.5
Output voltage standing wave ratio	≤ 2.6
Polarization mode	Linear polarization

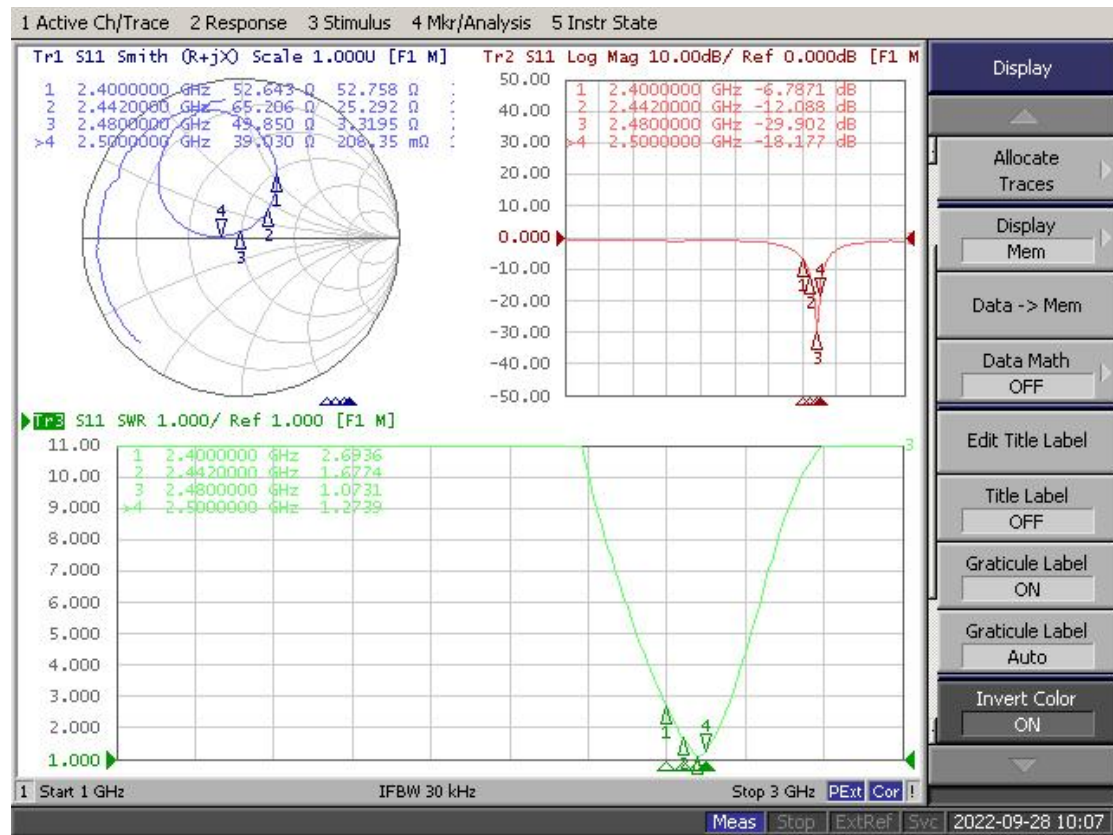
2. Dimension drawing



Size: 2.5mm*11.88mm

3. Test report (prototype test report only)

3.1: Test Report of Network Analyzer



3.2: 2D and 3D data of darkroom

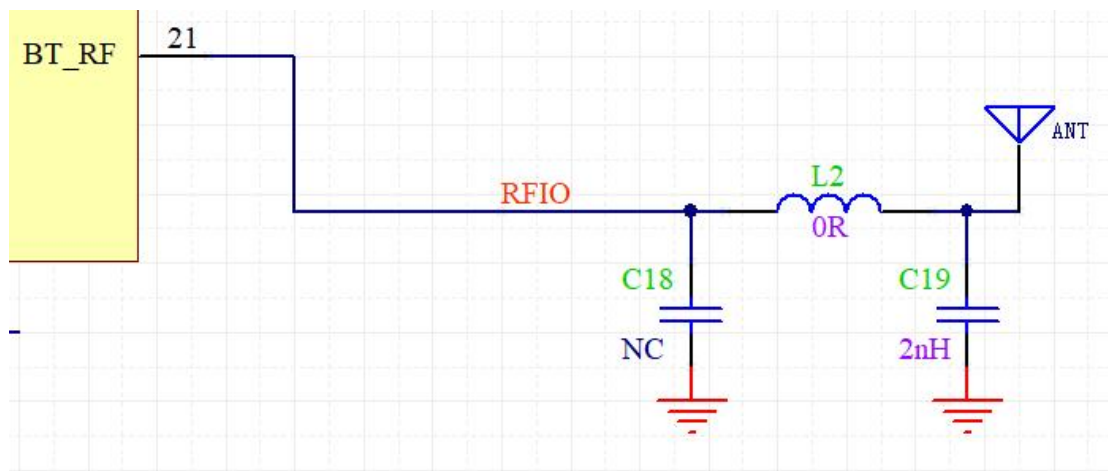
3.2.1 Efficiency and gain

Frequency (MHz)	2400	2450	2500
Avg. Gain (dBi)	-1.29	-0.01	0.50
Efficiency (%)	39.72	46.4	53.26

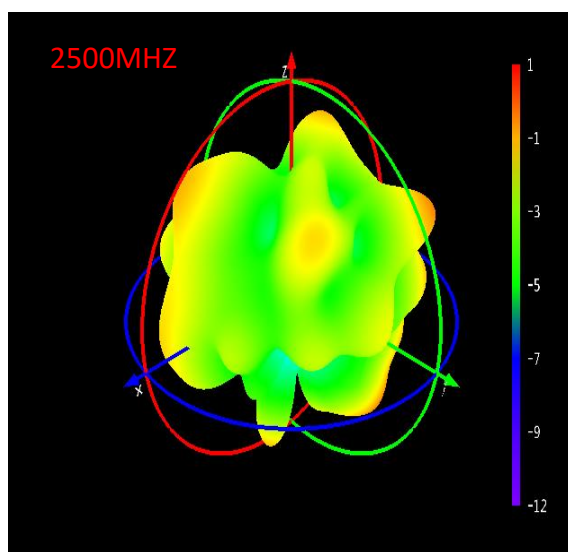
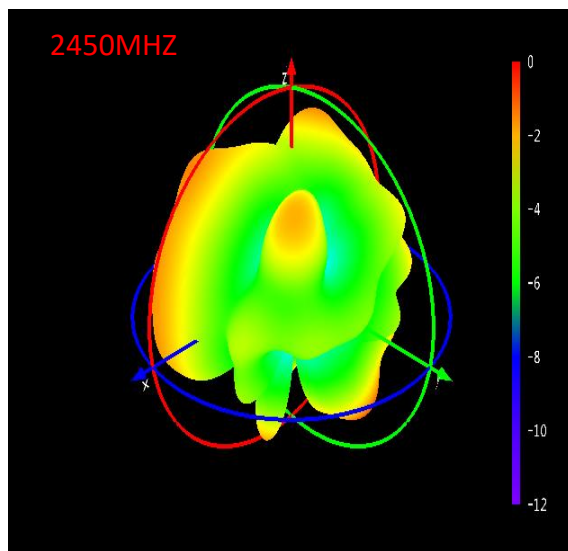
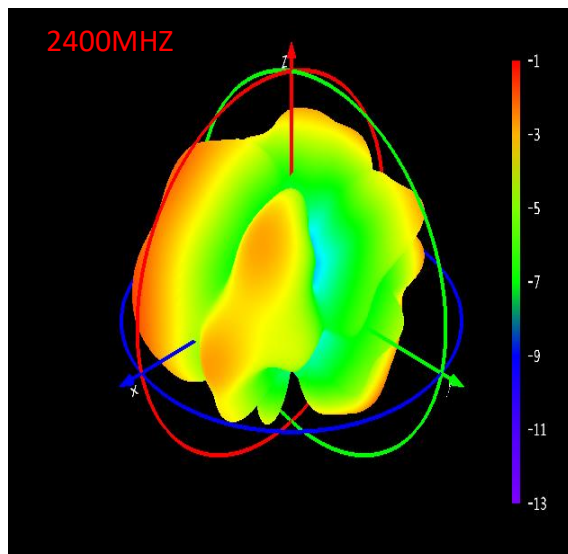
3.2.2 Active test report

earphone				
	Head mold		freedom	
channel	TRP	TIS	TRP	TIS
0	4.24	-87.19	5.02	-87.94
39	6.32	-90.89	7.02	-92
seventy-eight	6.88	-90.76	7.65	-91.45

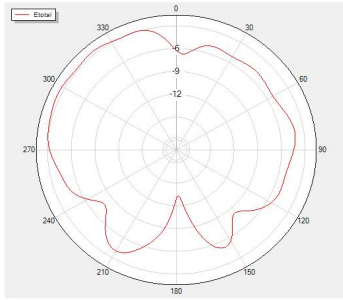
3.2.3 Matching circuit



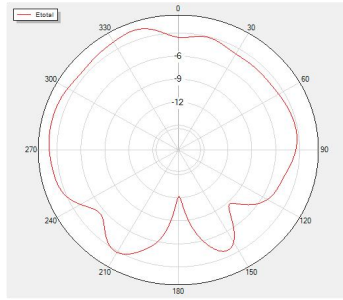
3.2.4 2D/3D Field Pattern Diagram



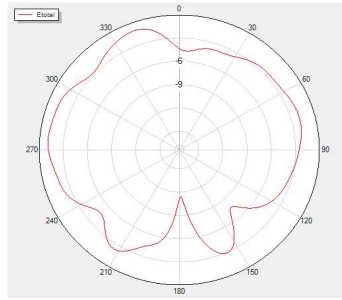
Phi=0 Freq=2400MHz



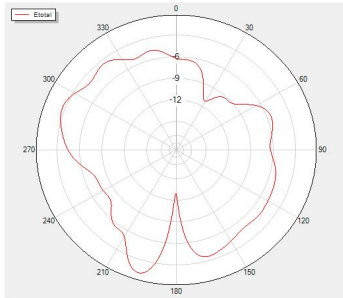
Phi=0 Freq=2450MHz



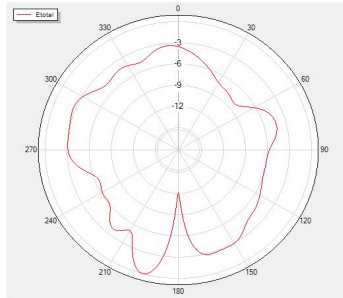
Phi=0 Freq=2500MHz



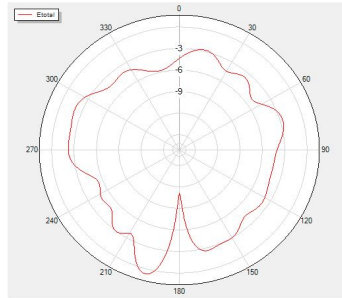
Phi=90 Freq=2400MHz



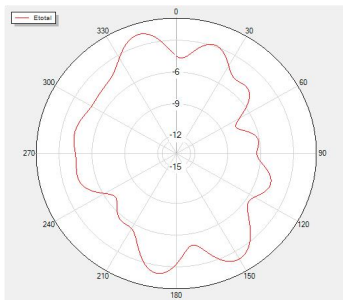
Phi=90 Freq=2450MHz



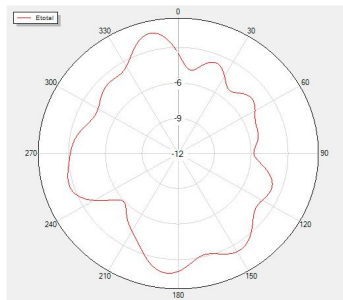
Phi=90 Freq=2500MHz



Theta=90 Freq=2400MHz



Theta=90 Freq=2450MHz



Theta=90 Freq=2500MHz

