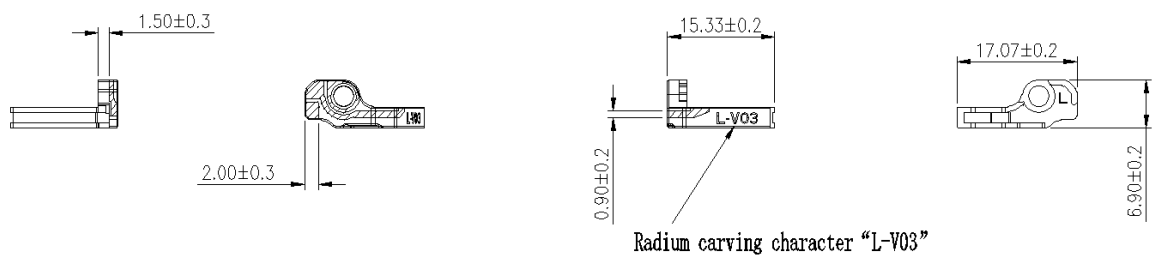


Antenna manufacturer: Shenzhen wuxian zhilian technology co., ltd

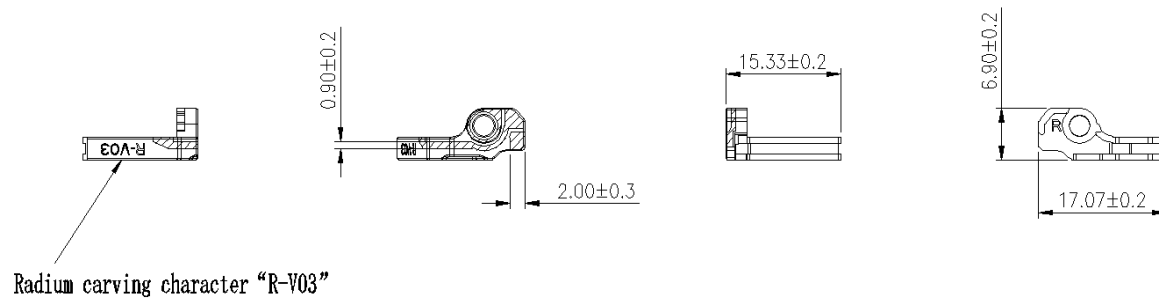
Antenna model: Aries 2

Antenna type: PIFA

Antenna size picture:



Radium carving character "L-V03"



Radium carving character "R-V03"



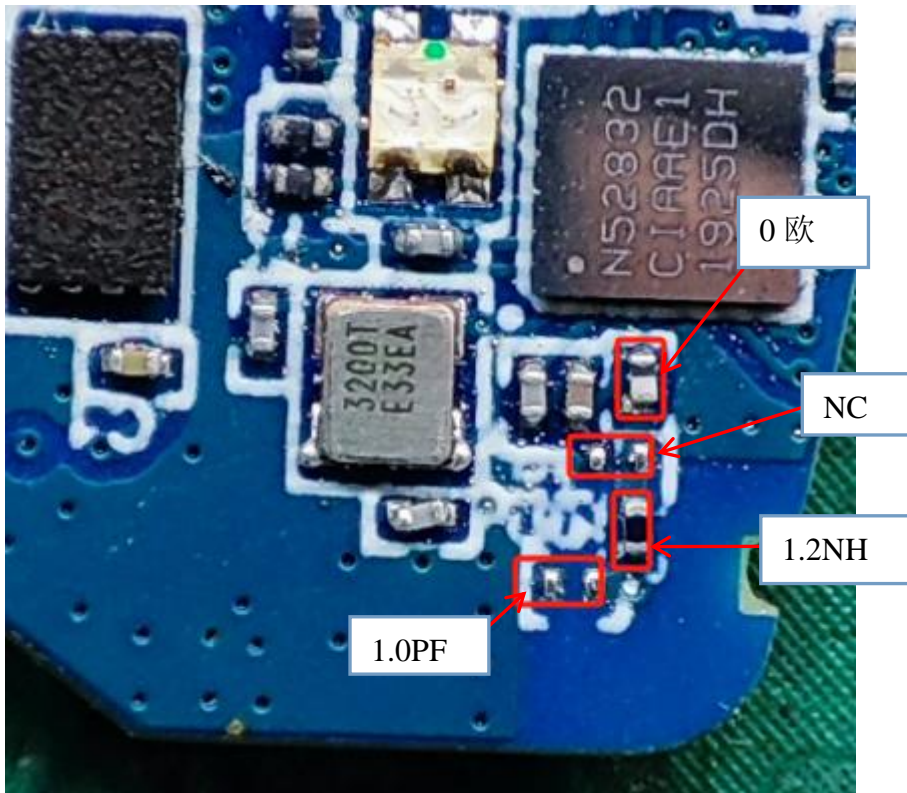
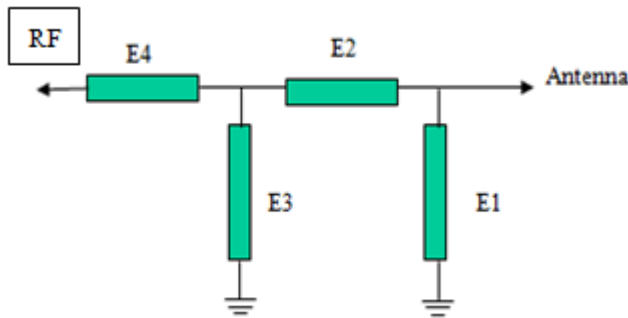
AFTtEch

深圳市无限智联科技有限公司

Shenzhen wuxian zhilian technology co., ltd

Left-handed antenna matching circuit

Element	E1	E2	E3	E4
Value	1.0PF	1.2NH	NC	0 欧



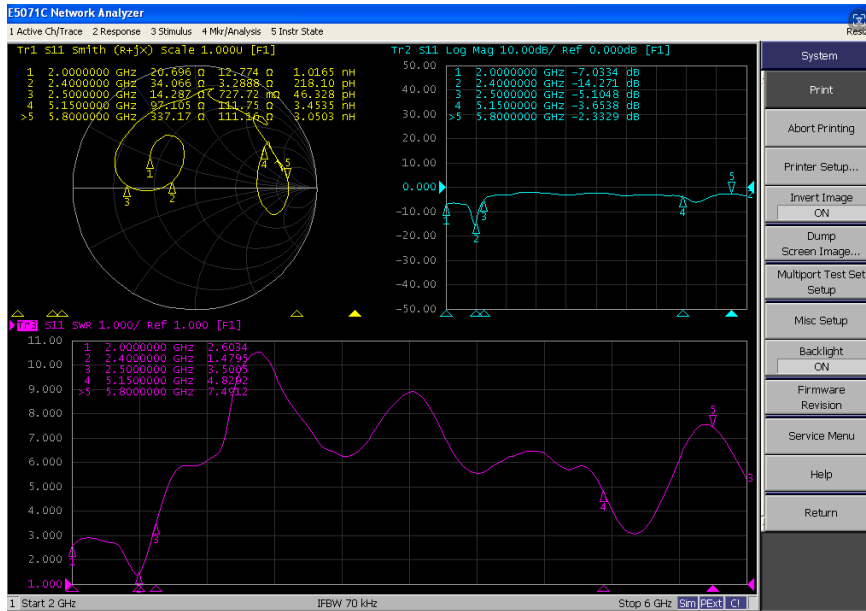


AFTtEch

深圳市无限智联科技有限公司

Shenzhen wuxian zhilian technology co., ltd

Passive standing wave diagram:



frequency 频率(MHz)	efficiency 效率(%)	gain 增益(dBi)
2400	11.09	-4.96
2410	10.67	-4.78
2420	11.12	-4.34
2430	10.82	-4.29
2440	10.76	-4.26
2450	10.04	-4.33
2460	9.59	-4.27
2470	9.31	-4.12
2480	9.19	-4.07
2490	9.19	-3.91
2500	8.33	-4.39



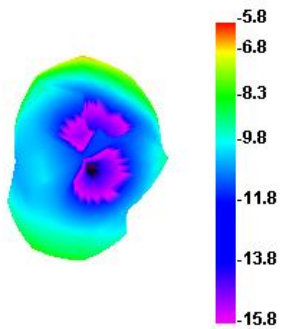
AFTtEch

深圳市无限智联科技有限公司

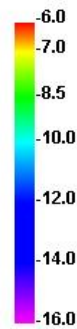
Shenzhen wuxian zhilian technology co., ltd

Apple map

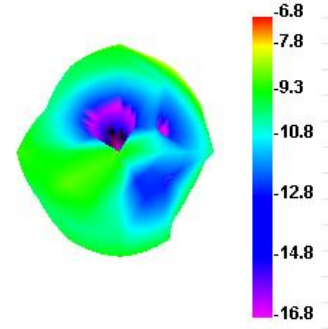
2400.000MHz



2450.000MHz



2500.000MHz





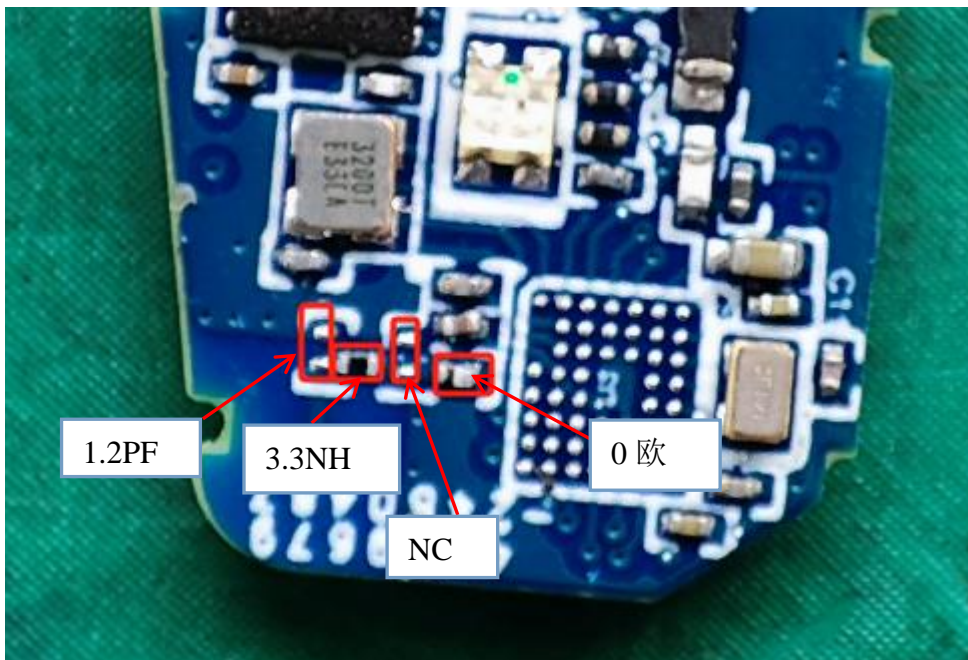
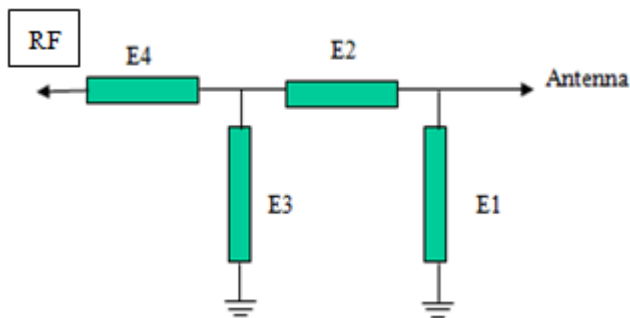
AFTtEch

深圳市无限智联科技有限公司

Shenzhen wuxian zhilian technology co., ltd

Right-hand antenna matching circuit

Element	E1	E2	E3	E4
Value	1.2PF	3.3NH	NC	0 欧



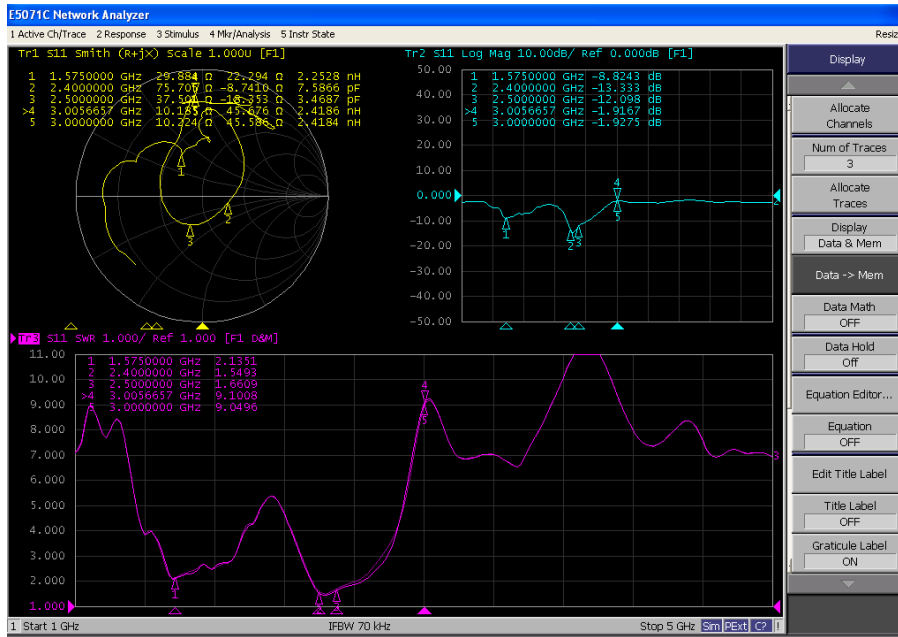


AFTtEch

深圳市无限智联科技有限公司

Shenzhen wuxian zhilian technology co., ltd

Passive standing wave diagram:



frequency 频率(MHz)	efficiency 效率(%)	gain 增益(dBi)
2400	12.91	-3.47
2410	13.46	-3.18
2420	15.24	-2.67
2430	16.2	-2.37
2440	17.38	-2.07
2450	17.13	-2.06
2460	18.04	-1.85
2470	18.53	-1.74
2480	19.09	-1.59
2490	18.09	-1.74
2500	17.2	-1.99

Room 302, 3rd Floor, Building B, Shen gang Innovation Park, No.40 Huaning Road, Dalang Street, Longhua New District, Shenzhen



AFTtEch

深圳市无限智联科技有限公司

Shenzhen wuxian zhilian technology co., ltd

Apple map:

