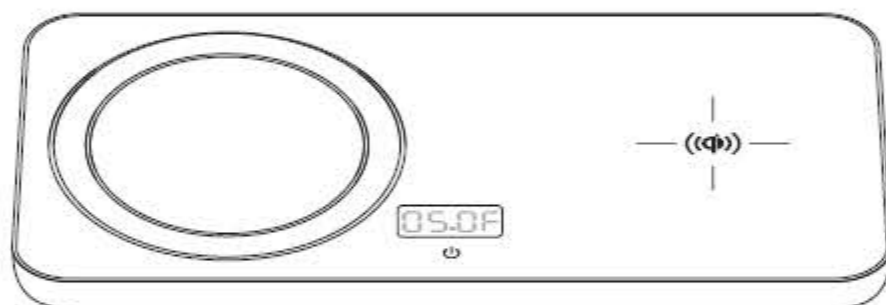


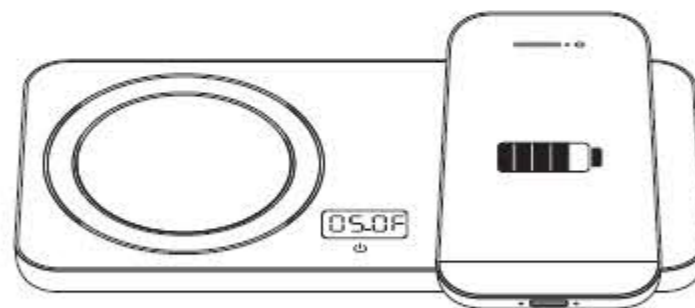
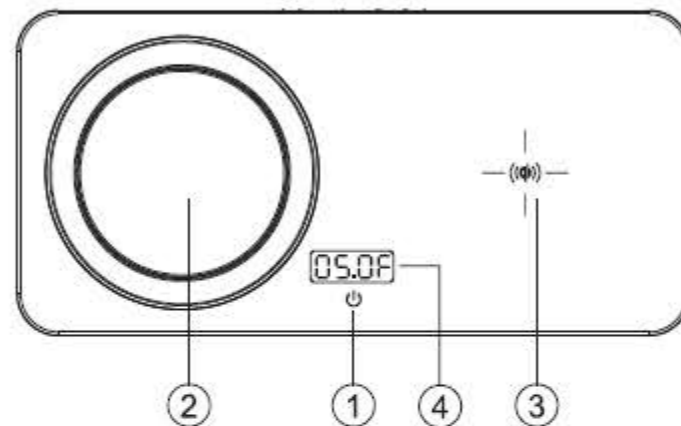
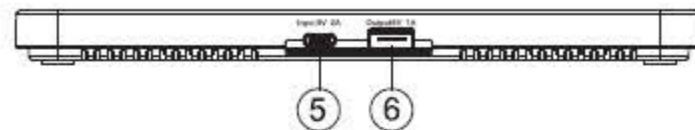
xo
poppy

2 IN 1 MUG WARMER & WIRELESS CHARGER

Operating manual



Our coaster has both a wireless charger and a drink warmer. While charging your smartphone or wireless headphones, it will keep your beverages at an ideal temperature.



- ① Power: Touch switch ON/OFF
- ② Heat conducting plate
- ③ Wireless charger
- ④ Temperature display
- ⑤ Input : 5V-9V 2A
- ⑥ Output 5V A

Insert the attached TYPC power cord into the power source of 9V 2A. Insert the other end into the power input port of the machine. Touch the power key and wait for a beep. Temperature display window will show the current temperature of the environment. That means power is on.

At this point, you may place a clean, full cup on the heating pad. After the cup is placed on pad the temperature will gradually increase, heating your beverage in the cup. Keep the temperature around 50 Degrees Fahrenheit at all times.

Note: Insulation and wireless charging can not be used together when the 5V 2A input is used.

Name : Wireless Charger and Drink Warmer
Power : 10-15W
Input : 5V-9V 2A
Size : 210X100X16.5 (mm)
Weight : 350g

WARNING:

- 1. Keep away from children
- 2. Keep away from open flame
- 3. Return to factory if product does not work - do not break open product!
- 4. Do not turn on with nothing on it to heat.

xo
poppy

XOPOPPY © COPYRIGHT ALL RIGHTS RESERVED, XOPOPPY is an innovative company of Truststone Group LLC. No portion of this design may be reproduced without express written permission. Other trademarks and trade names are those of their respective owners. All rights reserved. Distributed by Truststone Group LLC. New York Ny 10018.

FCC statement:

This device complies with Part 15 of the FCC rules. Operation is subject to the following two conditions: 1) this device may not cause harmful interference, and 2) this device must accept any interference received, including interference that may cause undesired operation.

Note: This equipment has been tested and found to comply with the limits for a Class B digital device, pursuant to part 15 of the FCC Rules. These limits are designed to provide reasonable protection against harmful interference in a residential installation.

This equipment generates uses and can radiate radio frequency energy and, if not installed and used in accordance with the instructions, may cause harmful interference to radio communications. However, there is no guarantee that interference will not occur in particular installation. If this equipment does cause harmful interference to radio or television reception, which can be determined by turning the equipment off and on, the user is encouraged to try to correct the interference by one or more of the following measures:

- Reorient or relocate the receiving antenna.
- Increase the separation between the equipment and receiver.
- Connect the equipment into an outlet on a circuit different from that to which the receiver is connected.
- Consult the dealer or an experienced radio/TV technician for help.

Changes or modifications not expressly approved by the party responsible for compliance could void the user's authority to operate the equipment.

Radiation Exposure Statement

This device complies with FCC RF radiation exposure limits set forth for an uncontrolled environment. This transmitter must not be co-located or operating in conjunction with any other antenna or transmitter. During the operation of device a distance of 15 cm surrounding the device and 20 cm above the top surface of the device must be respected.