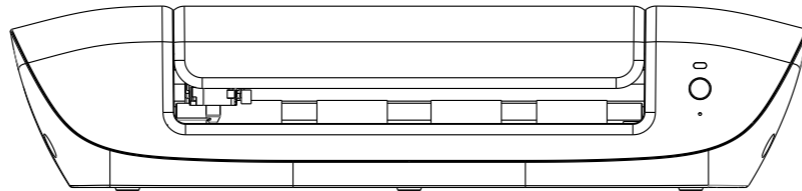
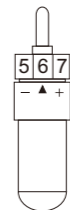
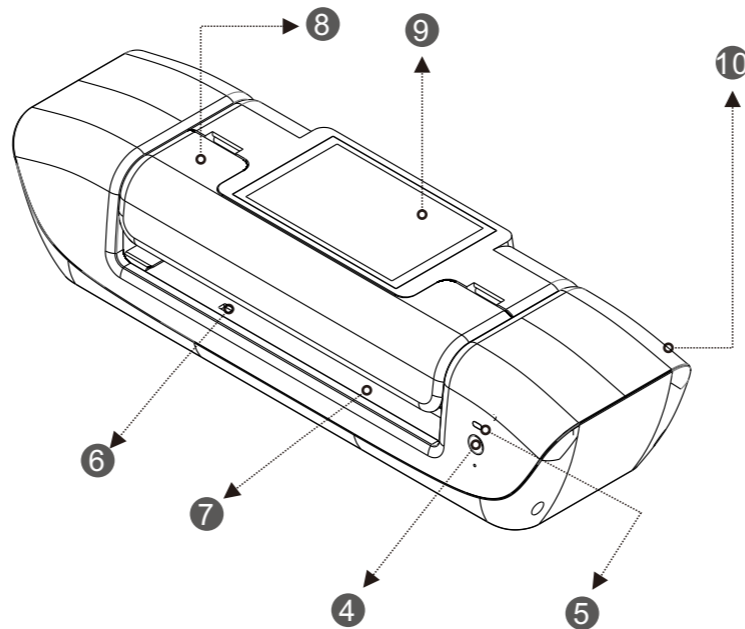
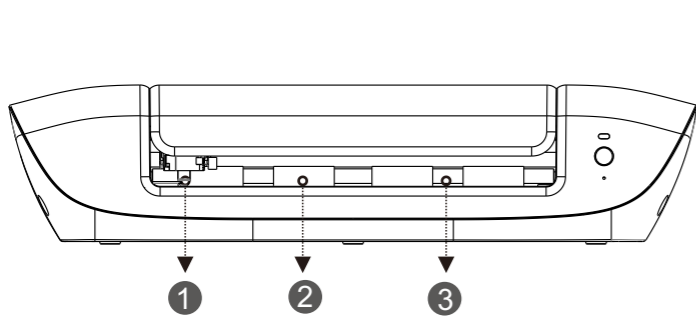


Intelligent Cloud Film Cutting Machine

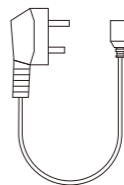


User Manual

Packing list



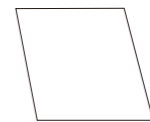
Blade holder



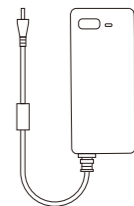
Power cable



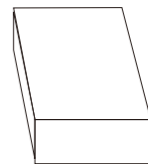
Blade



Warranty card



Power adapter

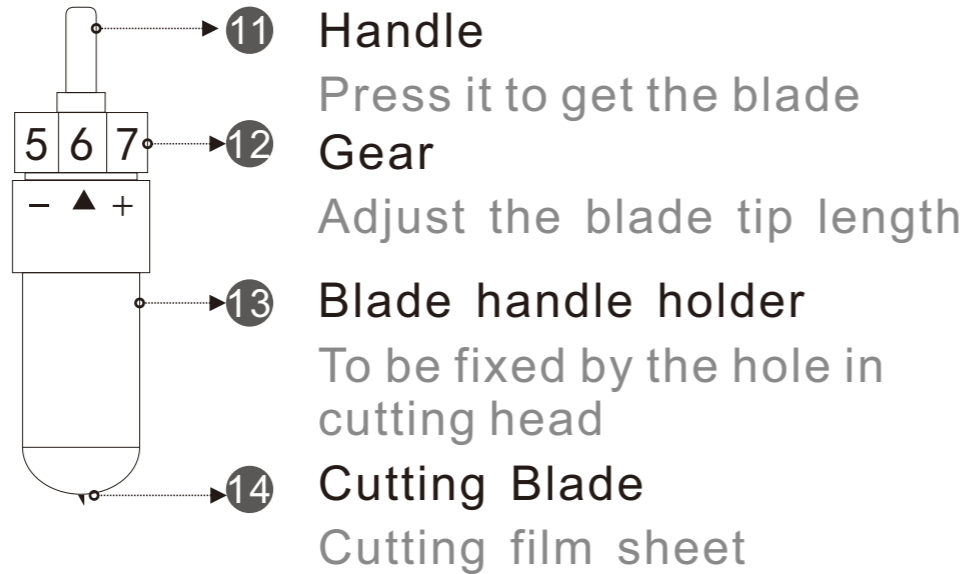


Auxiliary tools

Intelligent cutter

- 1 Cutter carriage**
Control the knife to cut the film sheet
- 2 Rubber wheels**
Work with steel axis to keep cutting without slip
- 3 Steel axis**
Work with rubber wheels to fix and protect film sheet
- 4 Power switch**
Turn on the machine . Press it lightly to turn back the films during stand-by
- 5 Power indication**
After the power is turned on, the work indicator light is on
- 6 Film feeding sensor**
Auto feeding the film after detecting it
- 7 Film pasting guide**
Please paste the films based on the guide
- 8 Blade holder installatin port**
Open the port to take out or install the blade holder
- 9 High definition screen**
7 inch touch screen , built in operation system
- 10 Power connection port**
External 24v power port

Blade installation



Notes:

Adjust the blade:

Twist the gear to adjust the blade tip

Value bigger, tip longer

Value smaller, tip shorter

Factory setting is gear 6

Change blade:

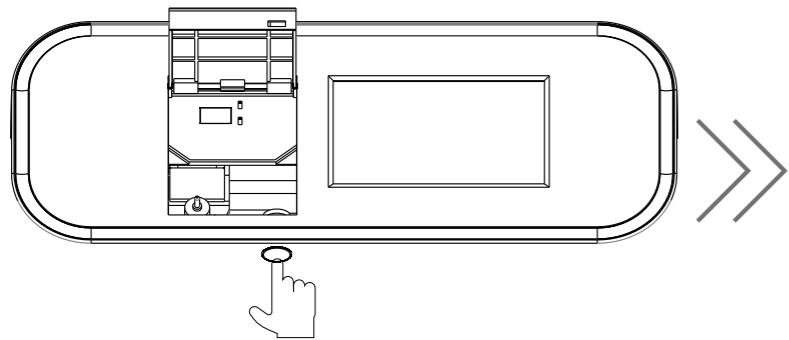
Press handle

take out the old blade

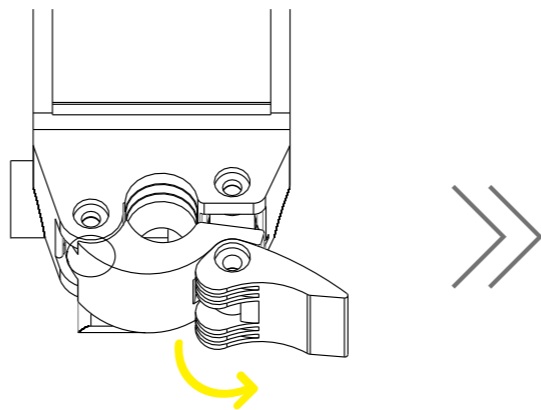
put a new one in it

Blade holder installation

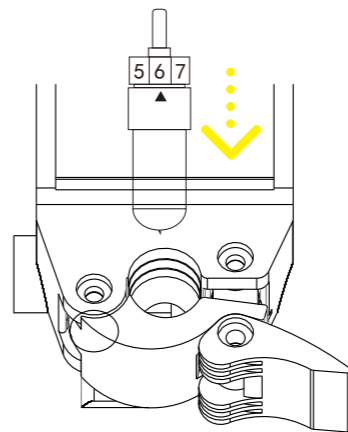
二. Install the blade holder



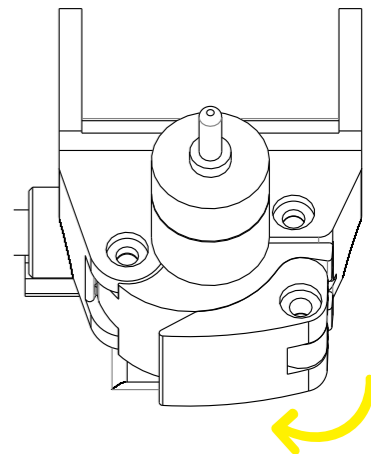
Press the button to open the entrance



Open the fixed handle



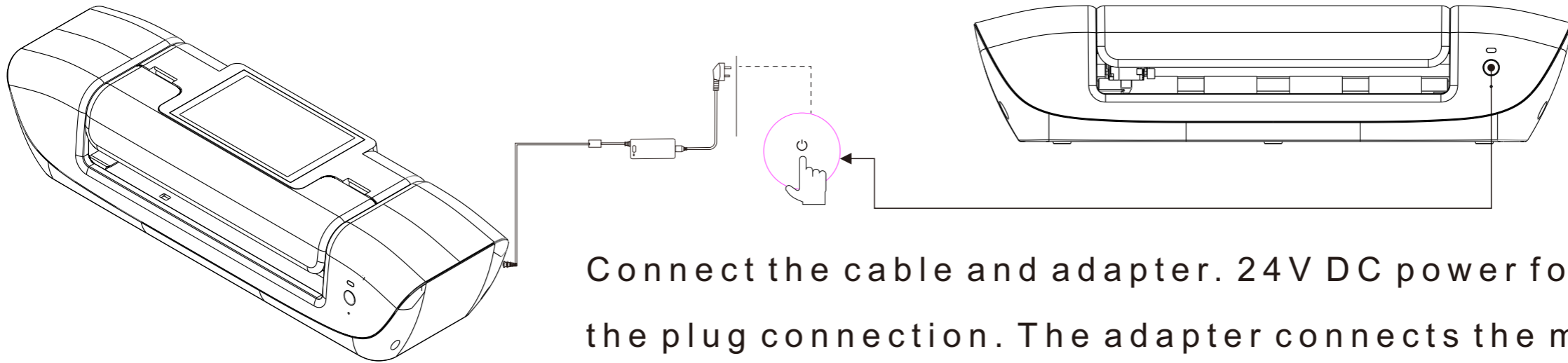
Insert the holder to hole straightly



Fix the handle

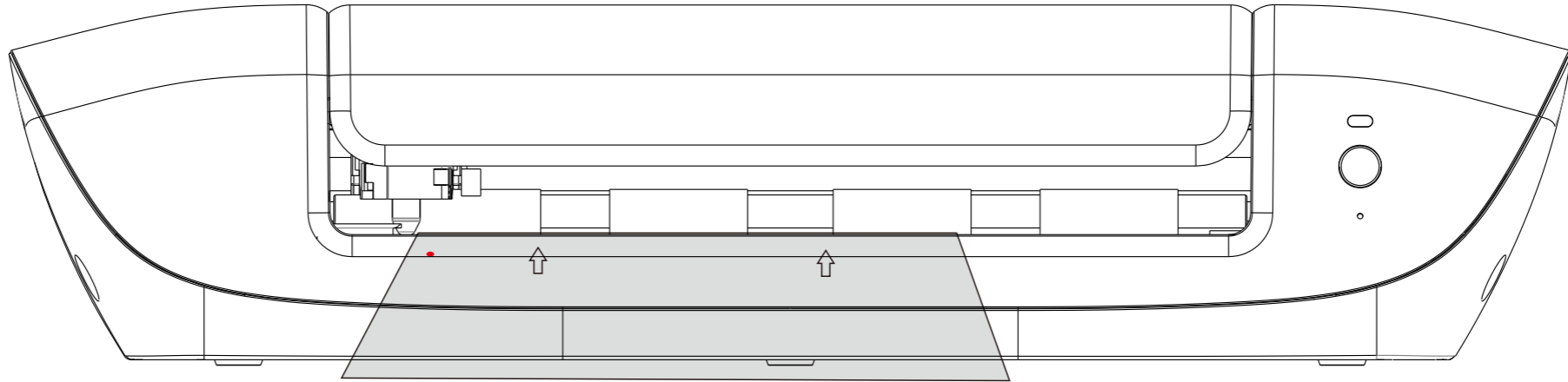
Power on / off

Intelligent cutter



Connect the cable and adapter. 24V DC power for the plug connection. The adapter connects the machine. Press the power button, machine power on. It takes 30s for starting.

Material installation



Put the material on the table flatly and align left based on the feeding guide

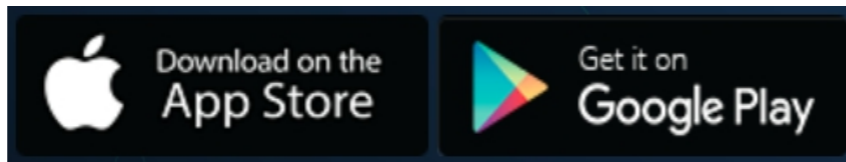
The material will be feed automatically after the cutter detect it. .

(If the film shift, press the switch in 1 second and the film will be returned back automatically)

Connect bluetooth



Scan it by browser



Choose the related phone system



APP Installed

Note: Suggest to scan the QR code to download APP by web browser

. Loggin account

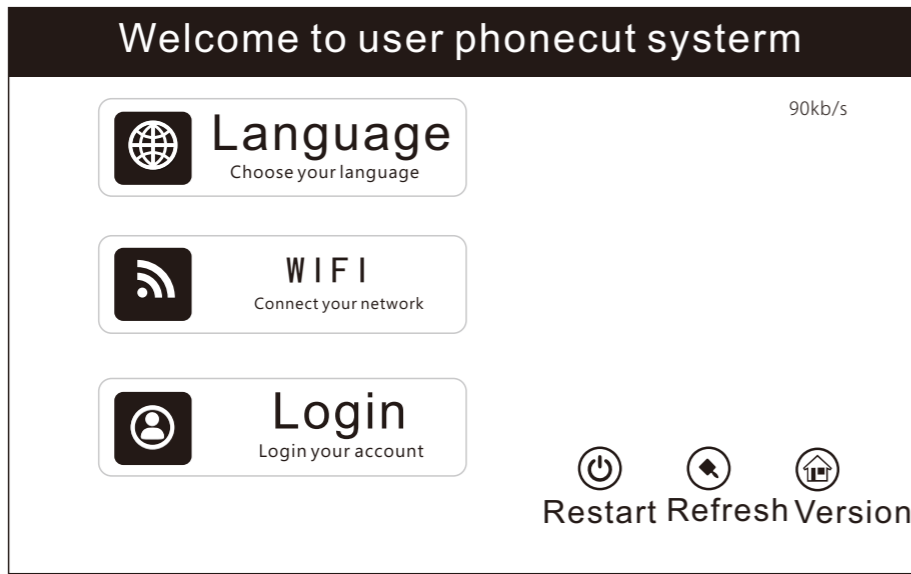
| | |
|-----------|----|
| Account: | 语言 |
| Password: | |
| Count | ∨ |
| Line:1 | ∨ |
| LOGIN | |
| REGISTER | |


- Please allow all access permission during installing the APP, otherwise it may be abnormal, detailed operation as follows:
1. Login App and choose language.
 2. Insert the account and password.
 3. Choose count / Monthly fee.
 4. Default is Line:1, if the internet is not good, please change to Line:2.
 5. Click LOGIN.
 6. Register (This function only for the user who does not have an account)

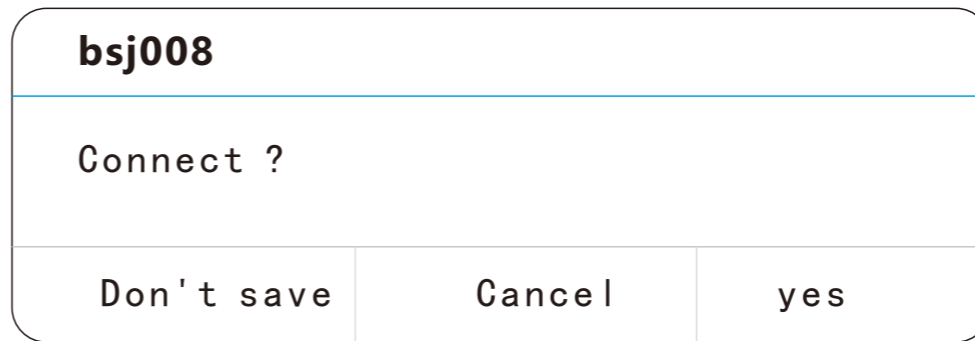
Note: Please change the password in "My Account" after the first login.

WIFI Connction

Intelligent cutter

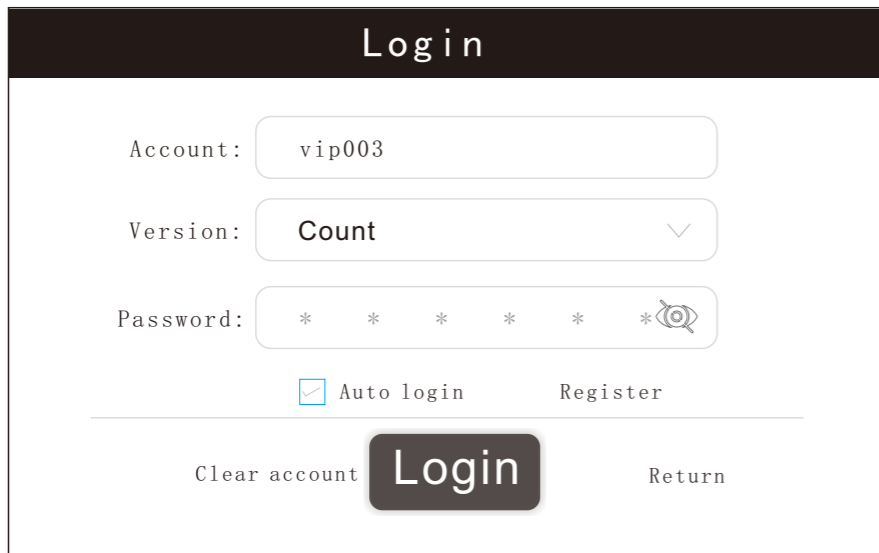


After turn on the  cutter, click and choose a wifi to connect .



Note: Conncting succeed, the wifi ID will be showed below , if not, you may need insert the correct password and connect. 9

. Login account



The screenshot shows a login interface with a dark header containing the word "Login". Below the header, there are three input fields: "Account:" with the text "vip003", "Version:" with a dropdown menu showing "Count", and "Password:" with six asterisks and a toggle icon. Below these fields, there is a checkbox labeled "Auto login" which is checked, and a link labeled "Register". At the bottom, there are three buttons: "Clear account", a large dark "Login" button, and "Return".

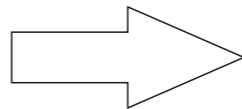
After connecting wifi, choose login and insert the account and choose version , then insert your password to login the data page..

Account and password may paste on the bottom of the cutter or you can get from your supplier

Choose Cutting Data



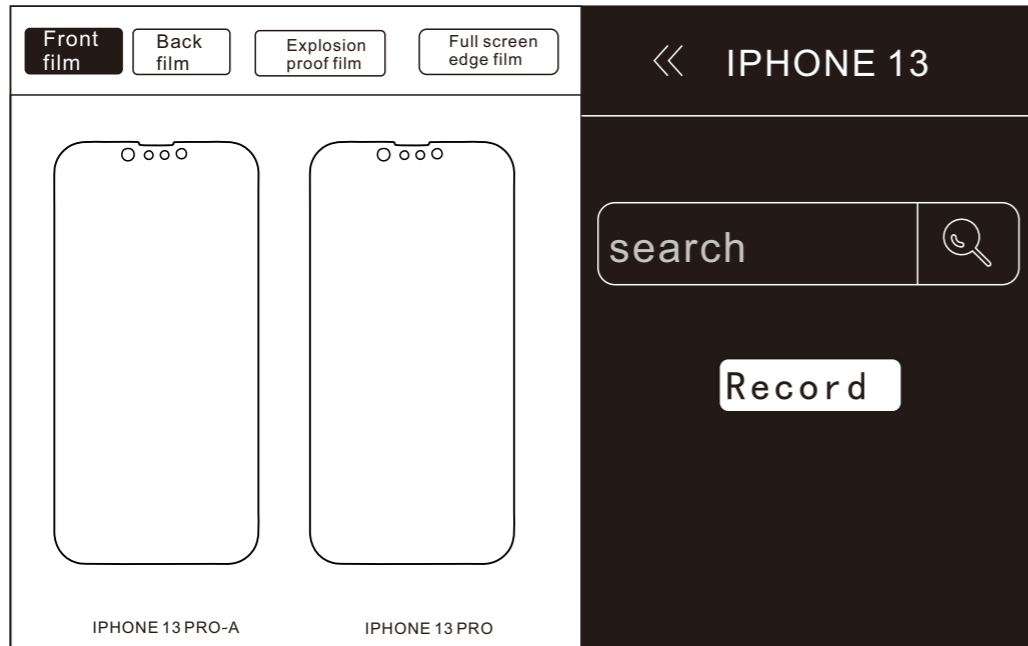
Main categories



Brands

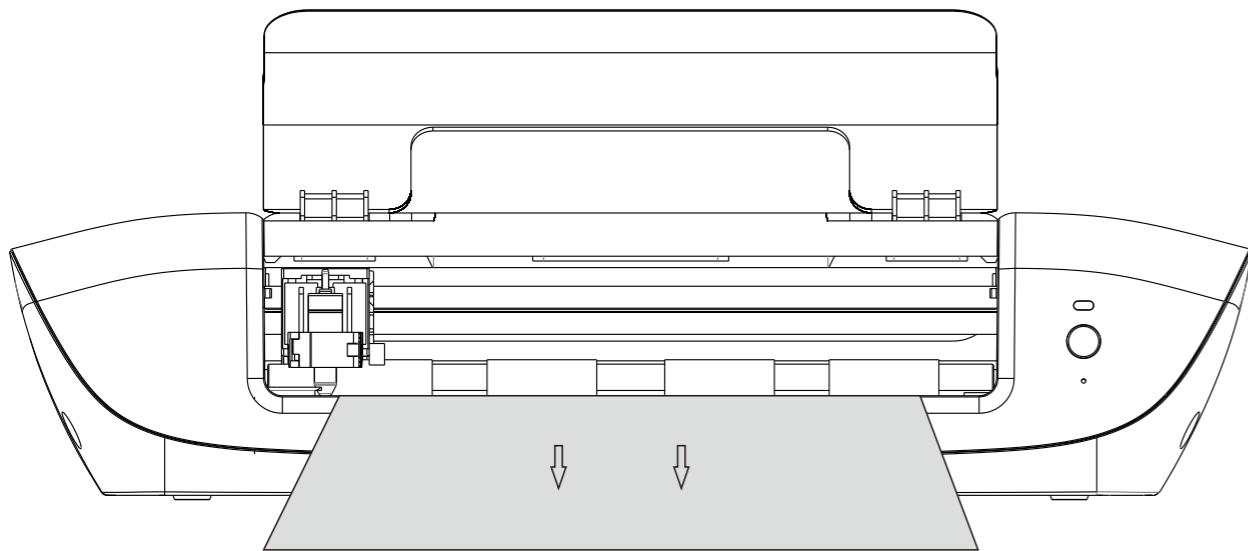
Choose a cutting data

Intelligent cutter



Cutting finished

Intelligent cutter



The sheet will be dropped out automatically after cutting finished, please take out the finished parts and paste on the phone.

Parameters and precautions

Intelligent cutter

| Parameters | |
|----------------|-------------------|
| Connection | wifi/Bluetooth/PC |
| Internal Power | DC24V 1.75A |
| Machine size | 570*150*130mm |
| Machine weight | 5.3kg |

Don't touch the knife tip by finger

The finger may be hurt by the knife tip

Don't seep into liquid

This may cause fire or electric shock

Don't use non-original power supply

This may damage the cricuit or electric shock





Don't use in thunderstorm days

This may damage the machine

Don't use the non-standard materials

Please cut the standard size of material to reach the perfect result

Product parameters and precautions

-  Press power switch for emergency stop during working.
-  Forbid moving the carriage by hand after connecting the power to avoid machine damage.
-  Knife is a consumable part, please change to a new one if it is dull.
-  Press the power switch in 3 seconds continually to turn off the cutter, forbid taking out the power cable directly to turn off the machine because it will damage the mainboard

FCC Warning

This device complies with part 15 of the FCC Rules. Operation is subject to the following two conditions:

(1) this device may not cause harmful interference, and (2) this device must accept any interference received including interference that may cause undesired operation.

FCC Warning

Any changes or modifications not expressly approved by the party responsible for compliance could void the user's authority to operate the equipment.

NOTE: This equipment has been tested and found to comply with the limits for a Class B digital device, pursuant to Part 15 of the FCC Rules.

These limits are designed to provide reasonable protection against harmful interference in a residential installation. This equipment generates, uses and can radiate radio frequency energy and if not installed and used in accordance with the instructions, may cause harmful interference to radio communications. However, there is no guarantee that interference will not occur in a particular installation.

If this equipment does cause harmful interference to radio or television reception,

which can be determined by turning the equipment off and on, the user is encouraged to try to correct the interference by one or more of the following measures:

- Reorient or relocate the receiving antenna.
- Increase the separation between the equipment and receiver.
- Connect the equipment into an outlet on a circuit different from that to which the receiver is connected.
- Consult the dealer or an experienced radio/TV technician for help.

To maintain compliance with FCC's RF Exposure guidelines, This equipment should be installed and operated with minimum distance between 20cm the radiator your body: Use only the supplied antenna. 