

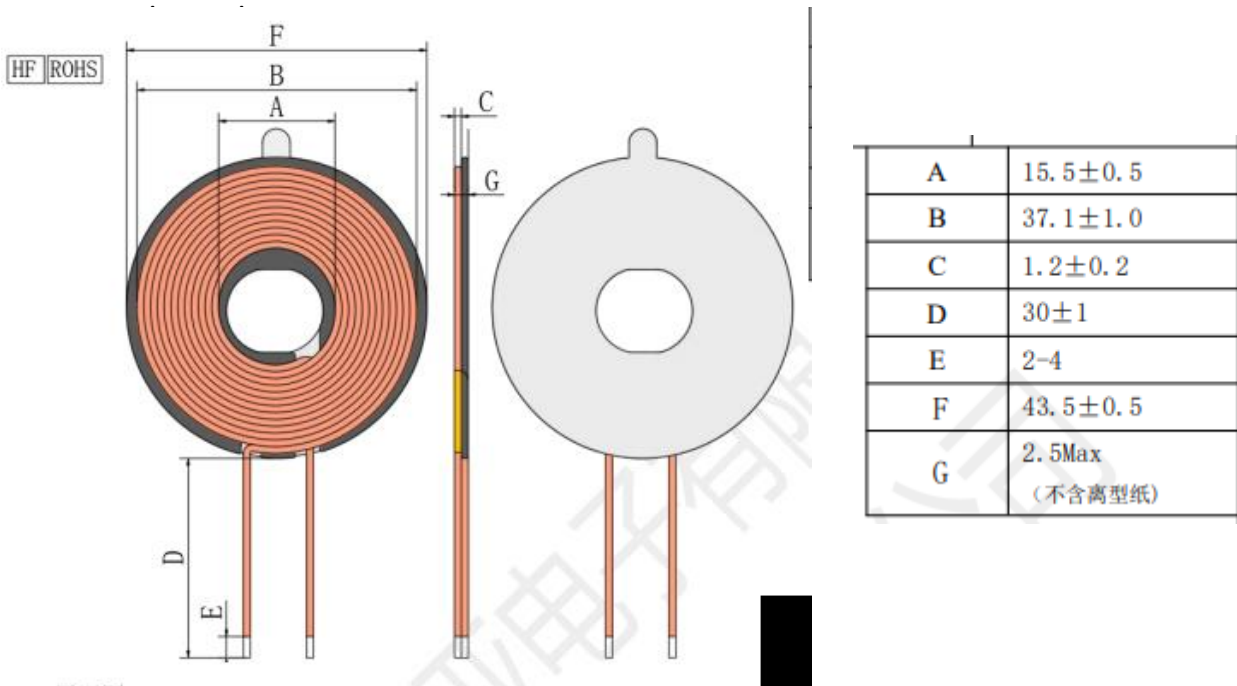
# Antenna Specifications

## 1. Manufacture:

Dongguan FANYA Electronics Co., LTD

No.194, East Technology Road, Liu Wu, Shijie Town, Dongguan City

## 2. Model number: FYN01612023111401S



## 4. Product parameters

Antenna Gain: 0dBi

Line diameter: 0.078x105P

Number of turns: 11

