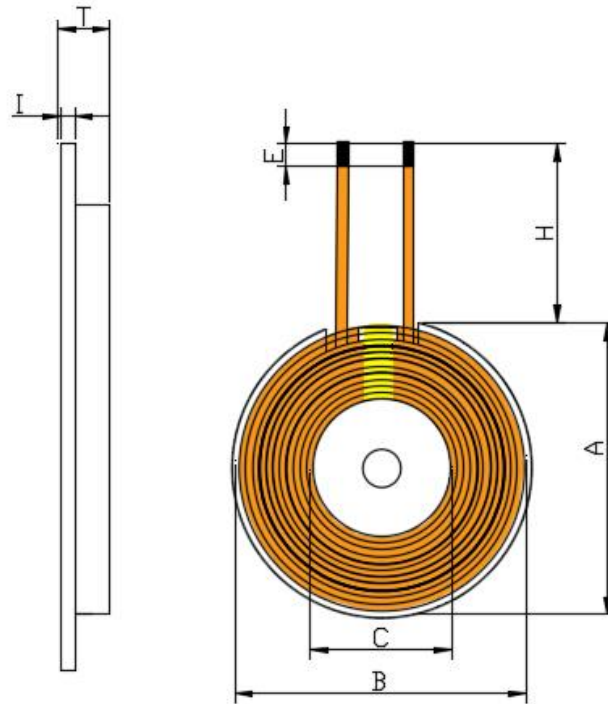


Antenna Specifications

1. Manufacture: Shenzhen Shengguang Electronic Technology Co.,LTD
2. Model number: SG-A1143.5-7.5UH±5%
3. Floor plan unit: MM



Number of turns: 11

	A	B	C	H	E	I	T
STD	43.5±0.5	41±1	19±0.5	7±2	2-4	0.5±0.1	1.4Max

4. Product parameters

Antenna Gain: 0dBi

Line diameter: 2UEW-B-0.08*24P*2

Number of turns: 11

