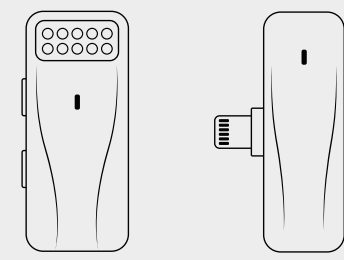


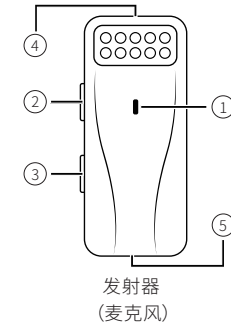
# 领夹式无线麦克风

## 使用说明书

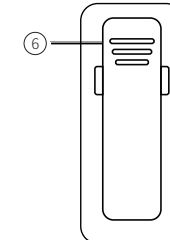


## 产品说明

- ① 指示灯
- ② 电源按钮
- ③ 降噪按钮
- ④ 内置麦克风
- ⑤ 充电口
- ⑥ 背夹



发射器 (麦克风)



背面

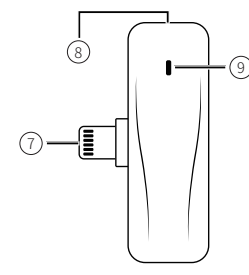
## 产品说明



苹果插头 (适用苹果设备)



Type C 插头 (适用安卓设备)

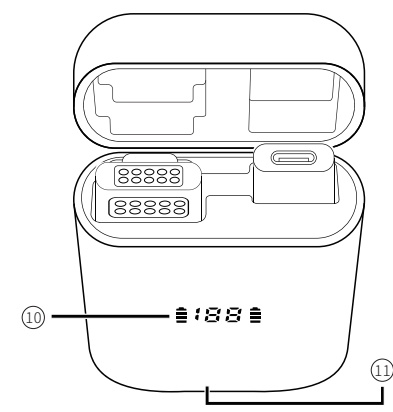


接收器

- ⑦ 插头
- ⑧ 充电口
- ⑨ 指示灯

\*插头类型请以具体的型号为准。

## 产品说明



充电仓

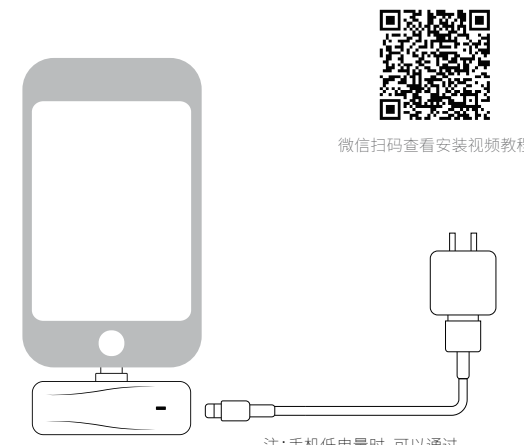
- ⑩ LED 数量
- ⑪ 充电口

\*充电仓为选配, 请以具体型号为准。

## 使用方法

### 1 连接接收器

将接收器的插头接入手机接口。



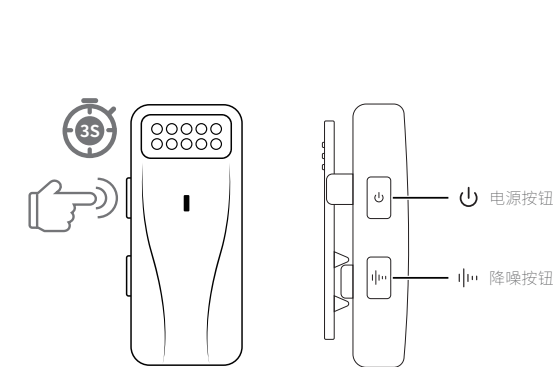
微信扫码查看安装视频教程

注: 手机低电量时, 可以通过接收器的充电口给手机充电。

## 使用方法

### 2 启动发射器

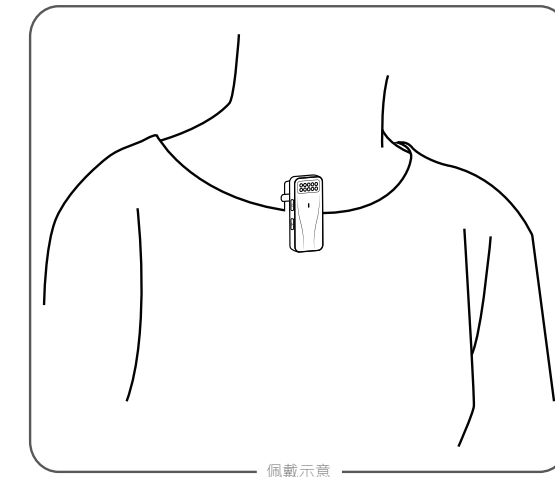
长按3秒电源按钮, 发射器开机后会自动与接收器配对。



## 使用方法

### 3 佩戴发射器

将发射器佩戴在领口处, 即可开始录音。



佩戴示意

- 声音清晰
- 降噪模式
- 即插即用

- 远距离收音
- 广泛兼容
- 超长续航



微信扫码关注公众号, 查看视频安装教程

## 指示灯说明

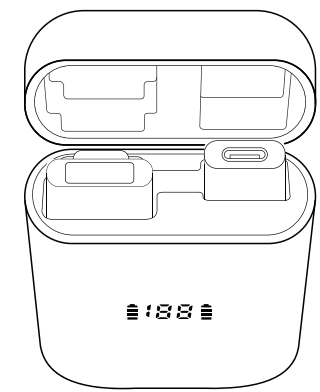
### 发射器

指示灯状态	说明
红白灯交替闪烁	发射器和接收器未配对
白灯常亮	发射器和接收器配对成功
红灯闪烁	低电量
红灯常亮 (充电时)	充电中
红灯熄灭 (充电时)	充满电
红灯常亮	静音
橙灯常亮	混响开启
绿灯常亮	降噪开启

### 接收器

指示灯状态	说明
红白灯交替闪烁	发射器和接收器未配对
白灯常亮	发射器和接收器配对成功

## 指示灯说明



### 充电仓

指示灯状态	说明
数字	代表充电仓当前的百分比电量
柱子闪烁	发射器充电中

\*充电仓为选配, 请以具体型号为准。

## 操作说明

### 手动开/关机

长按发射器的电源按钮3秒。

### 开启降噪模式

单击发射器的降噪按钮, 此时指示灯为绿色。

### 开启混响模式

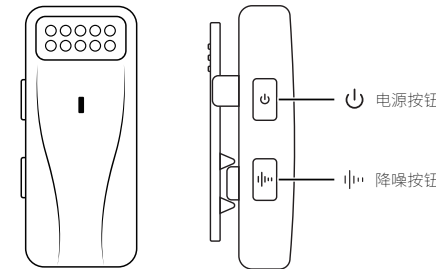
在普通模式下, 单击发射器的电源按钮, 此时指示灯为黄色。

### 开启静音模式

双击发射器的电源按钮, 此时指示灯为红色。

### 返回普通模式

在其他模式下, 单击发射器的电源按钮, 此时指示灯为白色。



## 常见问题

### 1. 为什么连接手机后无法正常录音?

- 请检查发射器和接收器的指示灯是否正常显示。
- 请检查发射器电量是否充足, 若低电量, 请及时充电。
- 部分品牌手机如VIVO/OPPO/Realme需要在设置中打开OTG连接功能, 路径参考如下:  
(注: 下方为常规路径, 请联系品牌手机厂商来获取更精确的OTG设置帮助。)



- 步骤1** 打开手机的设置选项。
- 步骤2** 进入其他设置, 或在搜索栏搜索OTG, 启用OTG连接。
- 步骤3** 启用OTG连接。

三星	一加	华为	索尼	LG
Galaxy C9 pro	Oneplus 3T	Nova 2i2 s	XPERIA Series	LG G55E
Galaxy Note 8	Oneplus 5T	Nova 2 Plus		LG V20
Galaxy S8	Oneplus 6/6T			
Galaxy S8 W2018	Oneplus 8T			
Galaxy A50/50S				
Galaxy A60/60S				
Galaxy M30s				
Galaxy A6s				
小米 CC9 Pro				
vivo X60/X60 Pro				
realme Q1/Q2/3/5/5X/2/50				

注: 此处仅列出部分不兼容的机型, 请联系品牌手机厂商来获取更多的OTG支持机型信息。

## 常见问题

### 2. 麦克风无法为设备自带的相机App录音?

- 部分品牌手机的系统出于严格的限制, 阻止了麦克风获取音频权限, 并非麦克风的质量原因。若出现这种情况, 请与品牌手机厂家联系。
- 本产品兼容市面上绝大多数App, 请尝试使用其他App替代。

### 3. 什么是耳返监听? 本产品支持吗?

耳返监听是指通过耳机将麦克风录制的声音实时播放, 以达到监听录音效果的目的。

本产品支持耳返监听, 操作流程如下:  
在设备正常工作状态下, 将Type C耳机接入发射器的充电口, 即可监听到发声源的录音状态。  
(注: Type C耳机不标配, 请自行购买。)

### 4. 在进行录音时, 如何降低外界的噪音?

- 启用发射器的降噪模式。
- 请合理调整发射器与发声源的距离, 避免破音。
- 若购买了配有防风帽的型号, 请把防风帽安装在发射器上。

### 5. 录音时连接的手机低电量该怎么办?

请将充电线连接到接收器的充电口, 即可为手机充电。

## 其他

### 参数规格

无线传输	2.4GHz自适应
频率响应范围	20Hz-20KHz
指向性	全指向
传输距离	≤20米
电池容量	发射器: 105mAh 1拖1充电仓: 230mAh 1拖2充电仓: 500mAh
续航	发射器: 8H 1拖1充电仓: 1.5H 1拖2充电仓: 2H
充电时长	1拖1充电仓: 1H 1拖2充电仓: 2H
尺寸和重量	发射器: 20.6 x 16.0 x 47.9mm; 11.0g 接收器: 24.4 x 9.9 x 47.9mm; 5.4g 1拖1充电仓: 59.3 x 32.1 x 62.0mm; 45.6g 1拖2充电仓: 83.0 x 32.1 x 62.0mm; 65.9g

### 包装信息

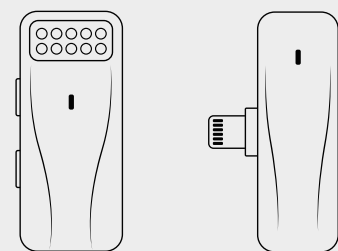
- (1) 发射器 (2) 接收器
- (3) 充电线 (4) 使用说明书
- (注: 充电仓和防风帽为选配, 请以具体型号为准。)

### 安全警告

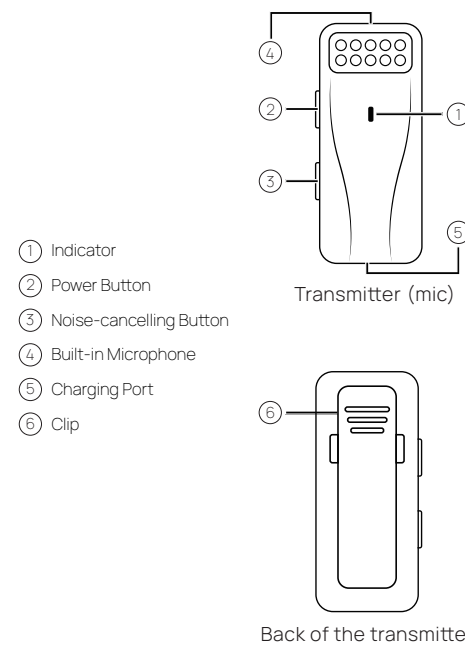
- 禁止拆解、撞击、挤压或者投入火中。
- 若出现严重肿胀, 请勿继续使用。
- 请勿置于高温环境中。
- 电池浸水后禁止使用!
- 本产品含有细小配件, 请置于儿童接触不到的地方, 以免误吞造成窒息危险。

# WIRELESS LAVALIER MICROPHONE

## User Manual

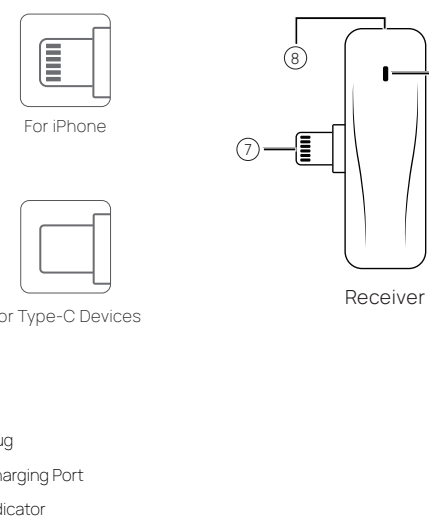


### Overview



- ① Indicator
- ② Power Button
- ③ Noise-cancelling Button
- ④ Built-in Microphone
- ⑤ Charging Port
- ⑥ Clip

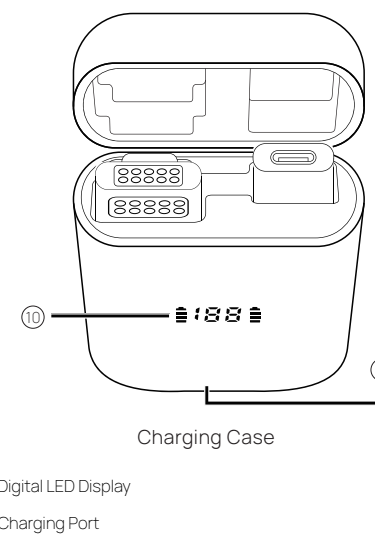
### Overview



- ⑦ Plug
- ⑧ Charging Port
- ⑨ Indicator

\*Please refer to the specific model for the type of plug.

### Overview

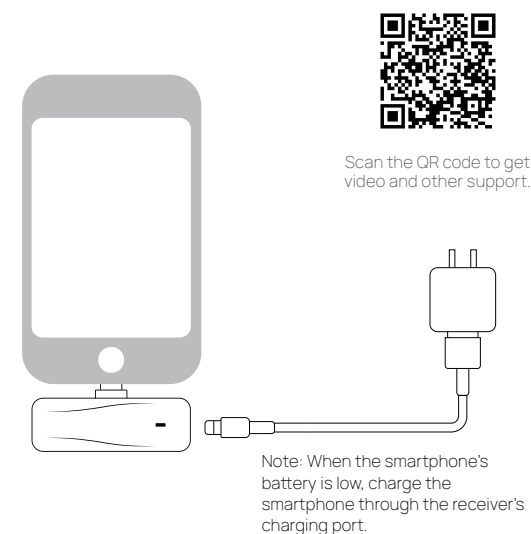


- ⑩ Digital LED Display
- ⑪ Charging Port

\*Charging case is optional, please refer to the specific model.

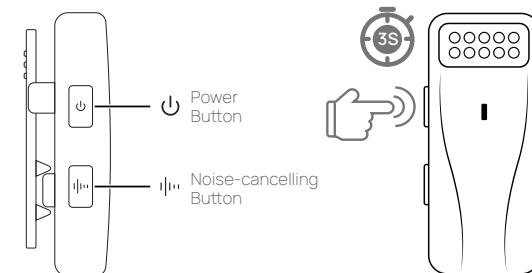
### How to Use

- 1 **Connect the receiver**  
Plug the receiver into the smartphone's port.



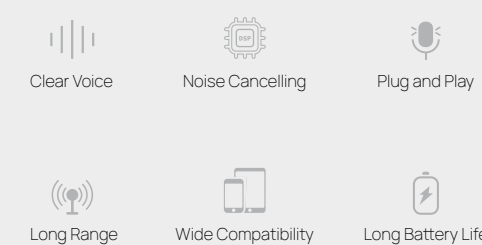
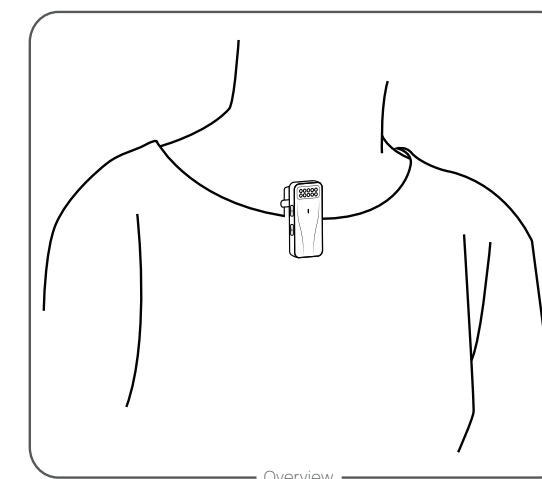
### How to Use

- 2 **Power on the transmitter**  
Press and hold the power button for 3 seconds, and the transmitter will automatically pair with the receiver after powering on.



### How to Use

- 3 **Record**  
Wear the transmitter properly and start to record.



Scan the QR code to get video and other support.

### Indicator Description

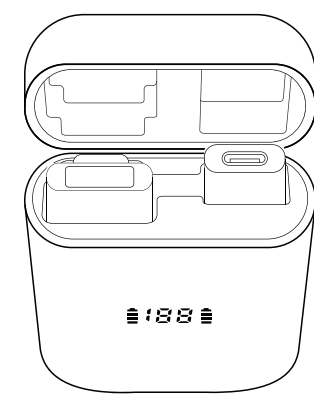
#### Transmitter

Indicator Status	Description
Blinks red and white alternately	Transmitter and receiver are not paired.
Solid white	Transmitter and receiver paired successfully.
Blinks red	Low battery.
Solid red (when charging)	Charging.
Red lights off (when charging)	Fully charged.
Solid red	Mute.
Solid orange	Reverb mode is on.
Solid green	Noise-cancelling mode is on.

#### Receiver

Indicator Status	Description
Blinks red and white alternately	Transmitter and receiver are not paired.
Solid white	Transmitter and receiver paired successfully.

### Indicator Description



#### Charging Case

Indicator Status	Description
Digital	Power percentage of the charging case.
Column blinking	Transmitter charging.

\*Charging case is optional, please refer to the specific model.

### Operating Instructions

#### Power on/off the transmitter

Press and hold the transmitter's **power button** for 3 seconds.

#### Turn on noise-cancelling mode

Click the transmitter's **noise-cancelling button**, the indicator turns green.

#### Turn on reverb mode

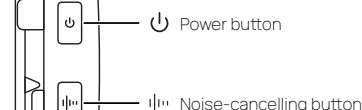
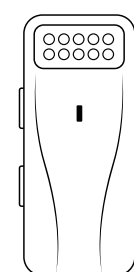
Under normal mode, click the transmitter's **power button**, the indicator turns yellow.

#### Turn on the mute mode

Double-click the transmitter's **power button**, the indicator turns red.

#### Return to normal mode

When in other modes, click the transmitter's **power button**, the indicator turns white.



### Other

#### Specifications

Operating Frequency	2400-2483.5 MHz
Frequency Response	20Hz-20KHz
Directivity	Omnidirectional
Transmission Distance	≤ 20 Meters

Battery Capacity	Transmitter: 105mAh
	1-Pack Charging Case: 230mAh
	2-Pack Charging Case: 500mAh

Battery Life	Transmitter: 8 Hours
	Transmitter: 15 Hours

Charging Time	1-Pack Charging Case: 1 Hours
	2-Pack Charging Case: 2 Hours

Dimensions & Weight	Transmitter: 20.6 x 16.0 x 47.9mm; 11.0g
	Receiver: 24.4 x 9.9 x 47.9mm; 5.4g
	1-Pack Case: 59.3 x 32.1 x 62.0mm; 45.6g

#### Package Contents

- (1) Transmitter (2) Receiver  
(3) Charging Cable (4) User Manual

\*Note: The charging case and windscreen are optional, please refer to the specific model.

#### Warning

- Do not disassemble, crash, squeeze or expose it to fire.
- Stop using when the product is swollen.
- Do not expose the product to excessive temperature.
- Stop using when the product is submerged.
- The product contains small accessories which may cause accidental ingestion and choking hazard, please keep it away from children.

### FAQs

#### 1. Why microphone can not record after connecting to smartphone?

- Check the indicators status of transmitter and receiver.
- Charge the transmitter if it is low power.
- Some smartphone brands such as VIVO/OPPO/Realme need to enable OTG connection in the settings, the usual path reference is as follows.

(Note: Please contact the smartphone manufacturer to get support on OTG setting when having trouble finding the path.)



- Step 1: Enter Settings the phone.
- Step 2: Enter Other Settings or search for OTG in the search bar.
- Step 3: Enable OTG Connection.

#### 2. Why microphone can not record for the phone's own camera app?

- The system of some smartphones prevents the microphone from getting audio permissions due to severe restrictions. If this happens, please contact the smartphone manufacturer.
- Try other apps instead. This product is compatible with most apps.

#### 3. What is in-ear monitoring? Does this product support it?

In-ear monitoring allows you to hear the sound recording by the microphone through earphones.

This product supports in-ear monitoring, the operation is as follows. When the microphone is working normally, put the Type C headphones into the transmitter's charging port. Then you are able to hear the sound recording by the microphone.

\*Note: The product does not include Type C headphones.

### FAQs

#### 4. How to reduce noise while recording?

- Enable Noise-cancelling mode of the transmitter.
- Please adjust the distance between the transmitter and the sound source properly.
- If you have purchased a model equipped with a windscreen, please install the windscreen on the transmitter.

#### 5. What should I do if the smartphone's battery is low when recording?

Charge the smartphone by connecting the charging cable to receiver's charging port.

### FCC Statement

This equipment has been tested and found to comply with the limits for a Class B digital device, pursuant to part 15 of the FCC Rules. These limits are designed to provide reasonable protection against harmful interference in a residential installation. This equipment generates, uses and can radiate radio frequency energy and, if not installed and used in accordance with the instructions, may cause harmful interference to radio communications. However, there is no guarantee that interference will not occur in a particular installation. If this equipment does cause harmful interference to radio or television reception, which can be determined by turning the equipment off and on, the user is encouraged to try to correct the interference by one or more of the following measures:

- Reorient or relocate the receiving antenna.
- Increase the separation between the equipment and receiver.
- Connect the equipment into an outlet on a circuit different from that to which the receiver is connected.
- Consult the dealer or an experienced radio/TV technician for help.

#### FCC Radiation Exposure Statement

The device has been evaluated to meet general RF exposure requirement. The device can be used in portable exposure condition without restriction.

Any Changes or modifications not expressly approved by the party responsible for compliance could void the user's authority to operate the equipment.

This device complies with Part 15 of the FCC Rules. Operation is subject to the following two conditions:  
(1) this device may not cause harmful interference, and  
(2) this device must accept any interference received, including interference that may cause undesired operation.