



petgugu

PW5 Smart Cat Litter Box Toilet User Manual

Please read this manual carefully and keep it properly before using the product.

Contents

Safety Precautions	1
Points for Users to Note	2
Regarding Pet Usage Recommendations	2
Packing list	3
Product Description	4
Upper Shell Assembly	5
Sand Tank Assembly	6
Base Assembly	7
Preparation Before Use	8
Button Instructions	13
Indicator Light Explanation	14
Feature Introduction	15
APP Download	16
Maintenance and Care	17
I. Maintenance and Care Guidelines	17
II. Replacement of Air Purification Filter	17
III. Cat Litter Replacement Guide	18
IV. Cleaning Guide	20
Common Issues	22
Basic Parameters	23
After-sales Service	24
Service and Support	25

FCC Caution

This device complies with part 15 of the FCC Rules. Operation is subject to the following two conditions: (1) this device may not cause harmful interference, and (2) this device must accept any interference received, including interference that may cause undesired operation.

Any changes or modifications not expressly approved by the party responsible for compliance could void the user's authority to operate the equipment.

NOTE: This equipment has been tested and found to comply with the limits for a Class B digital device, pursuant to Part 15 of the FCC Rules. These limits are designed to provide reasonable protection against harmful interference in a residential installation.

This equipment generates, uses and can radiate radio frequency energy and, if not installed and used in accordance with the instructions, may cause harmful interference to radio communications. However, there is no guarantee that interference will not occur in a particular installation.

If this equipment does cause harmful interference to radio or television reception, which can be determined by turning the equipment off and on, the user is encouraged to try to correct the interference by one or more of the following measures:

- Reorient or relocate the receiving antenna.
- Increase the separation between the equipment and receiver.
- Connect the equipment into an outlet on a circuit different from that to which the receiver is connected.
- Consult the dealer or an experienced radio/TV technician for help.

To maintain compliance with FCC's RF Exposure guidelines, This equipment should be installed and operated with minimum distance 20cm between the radiator and your body: Use only the supplied antenna.

Safety Precautions

*** Please follow the instructions for using this product to avoid malfunction, other unexpected losses, and potential dangers.**

1. This product is not suitable for individuals with diminished physical, sensory, or mental capabilities, or lack of experience and knowledge, including children, to use alone. Unless they are supervised or guided by those responsible for their safety or family members after successful binding with the app.
2. This product is not a toy. Children should be supervised to ensure they do not use the product as a toy, as it may lead to unexpected accidents or injuries.
3. Children and the elderly should not perform product cleaning and maintenance without supervision.
4. Pregnant and lactating cats are strictly prohibited from using this product to prevent the risk of giving birth to kittens or leaving them in the litter box.
5. This product should be placed on a clean, flat, hard surface and not on an inclined or soft object to prevent tilting.
6. Avoid using this product in extreme high temperatures ($>50^{\circ}\text{C}$) or low temperatures ($\leq 0^{\circ}\text{C}$).
7. It is recommended to place the product in a cool, dry place indoors, away from heat sources, and avoid direct sunlight to prevent accelerated aging of the product casing.
8. Do not plug or unplug the product power plug from a household power outlet with wet hands.
9. Do not modify or forcefully bend, pull, or twist the power cord, and do not place any heavy objects on the power cord to avoid electric shock, short circuit, or fire.
10. Do not plug the power plug into an overloaded household power outlet or circuit, as it may cause overheating, short circuit, and fire.
11. Do not move or relocate the product when pets are inside or when the product is in operation.
12. The product has a weight sensor inside. Please lift and place the sand tank with care.
13. Do not drop any solid objects or debris into the product to avoid damage to product components and malfunctions.
14. For a good product experience, regularly clean and maintain the product. Unplug the power plug before cleaning.
15. Do not use the power plug or power cord if damaged or hot, or if the power plug inserted into the household power outlet becomes loose. Contact the manufacturer or authorized professionals for replacement. Do not use third-party power cords to avoid quality issues and potential hazards.
16. Do not disassemble, dismantle, modify, or repair the product and its accessories without authorization to prevent malfunctions and potential dangers due to abnormal operations.
17. When the product experiences abnormalities and malfunctions, immediately stop using it, unplug the power plug, and contact customer service or authorized personnel for consultation and

resolution. Do not attempt to disassemble and repair the product yourself to avoid accidents.

(Examples of abnormalities or malfunctions include:

- Power cord damage, such as cracks or exposed cores.
- Abnormal heating, deformation, or discoloration of the product, power plug, or power cord.
- After moving the power cord, the product may not power on at times.
- The power plug, power cord, or product emits a burnt smell.)

18. When not using the product for an extended period, unplug the power plug, clean and maintain the product for better future use. It is recommended to use a dust cover to protect the product after cleaning.
19. Do not use any unofficial special accessories to avoid malfunctions or other dangerous incidents due to quality issues. The company is only responsible for the performance and safety of officially provided accessories.

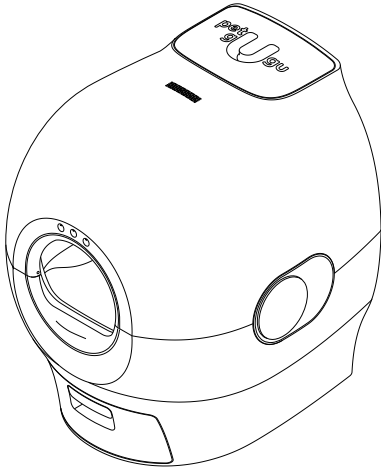
Points for Users to Note

1. Please place this product on a firm and level surface, and do not place it against walls or other objects.
2. Do not use this product in environments with temperatures at or below 0°C, as it may damage the product's water inlet and drainage systems.
3. Avoid using the product in outdoor or damp environments for an extended period.
4. Do not immerse or expose the product to dripping or splashing water.
5. Do not place any solids or debris other than cat litter into the product.
6. Do not move or disassemble the product while it is in operation.
7. Do not clean this product with corrosive cleansers or chemical agents.
8. When adding cat litter to the drum, do not exceed 6 liters, and ensure the litter does not go beyond the MAX line indicated on the litter pad.
9. Due to product functionality limitations, please use soluble cat litter.

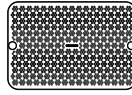
Regarding Pet Usage Recommendations

1. It is recommended for cats aged 3 months or older and weighing over 1 kg to use this product.
2. Pregnant, expecting, and lactating cats are strictly prohibited from using this product. In case of special circumstances requiring usage, please disable the product's automatic cleaning function and manually operate the buttons on the product.
3. If there are uncertainties about whether the product can be used for pets with advanced age, limited mobility, or physiological conditions, consult with a professional (such as a pet doctor or veterinarian) and use the product under their guidance.

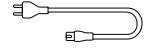
Packing list



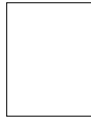
Robot (PW5)



Air purification filter



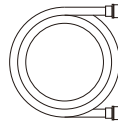
Power cord



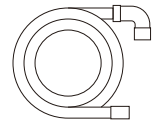
Instruction manual



One-minute/
two-way faucet



Inlet pipe



Outlet pipe



Throat clamp

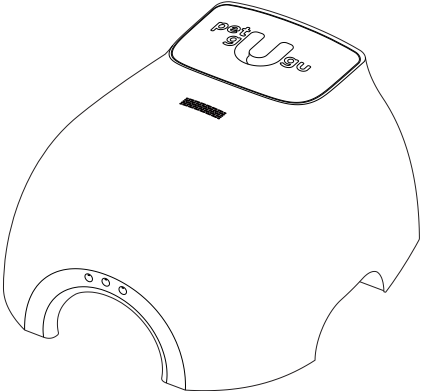


Sand collection bag

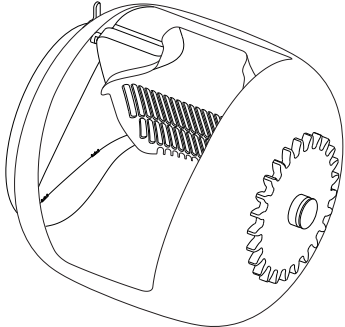
Note: The illustrations of products, accessories, user interfaces, etc. in the manual are schematic and for reference only. Due to product updates and upgrades, there may be slight differences between the actual product and the illustrations. Please refer to the actual product for accuracy.

Product Description

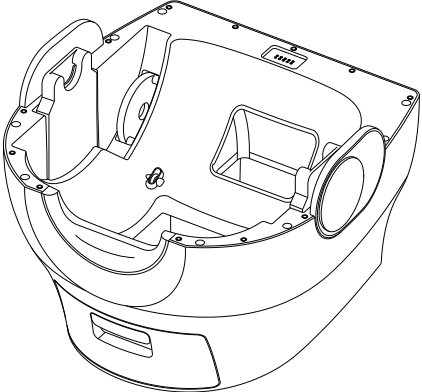
Upper shell assembly



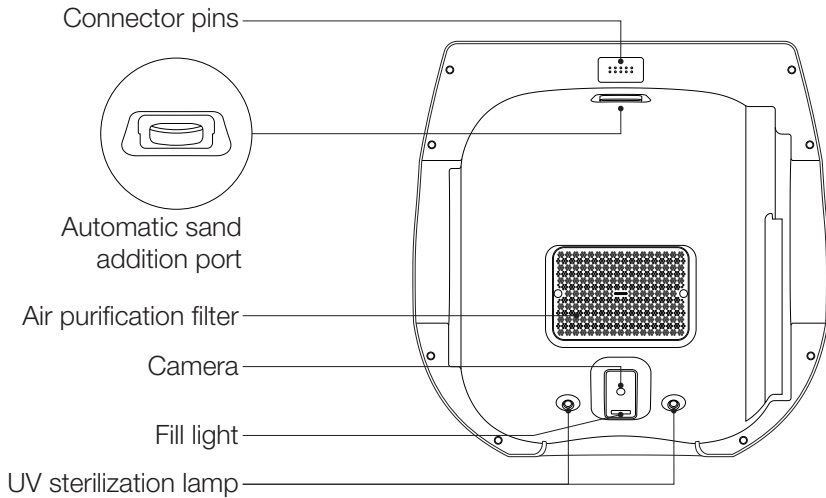
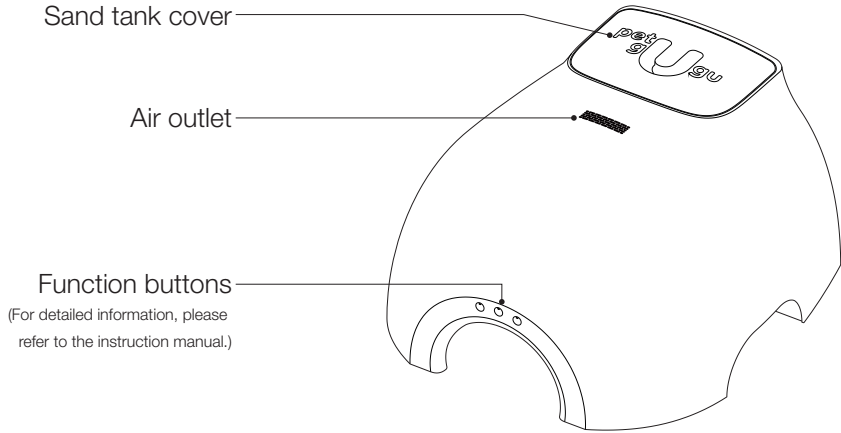
Sand tank assembly



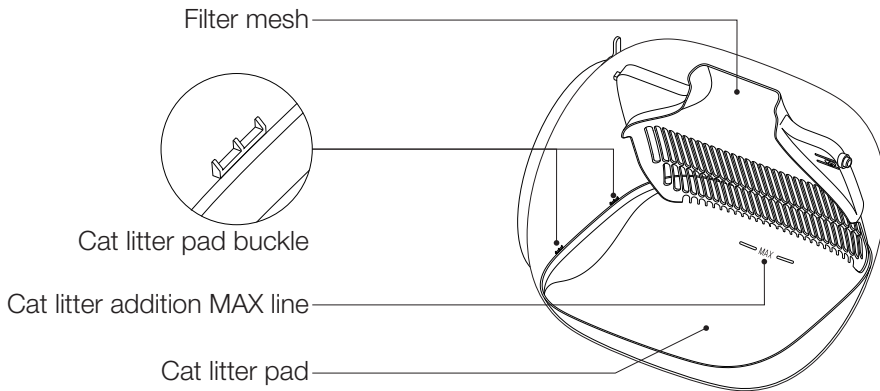
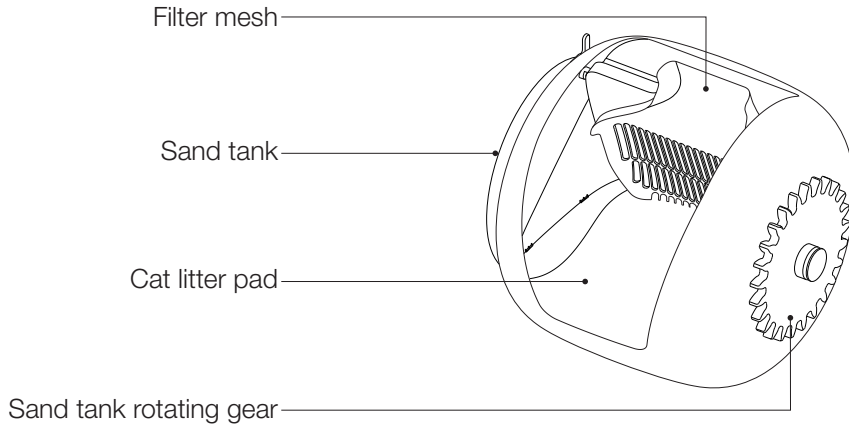
Base assembly



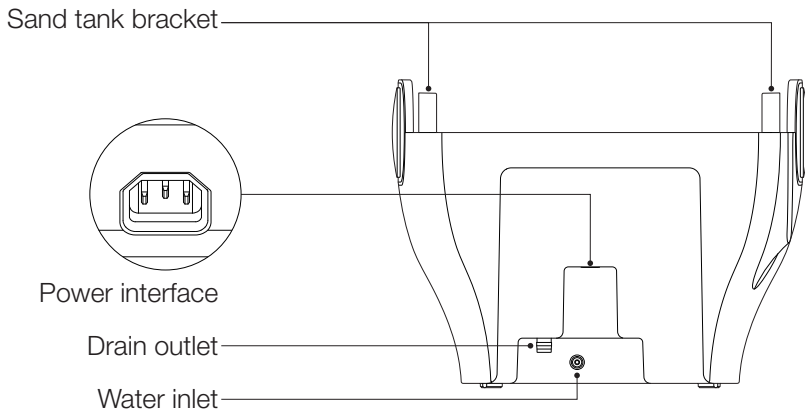
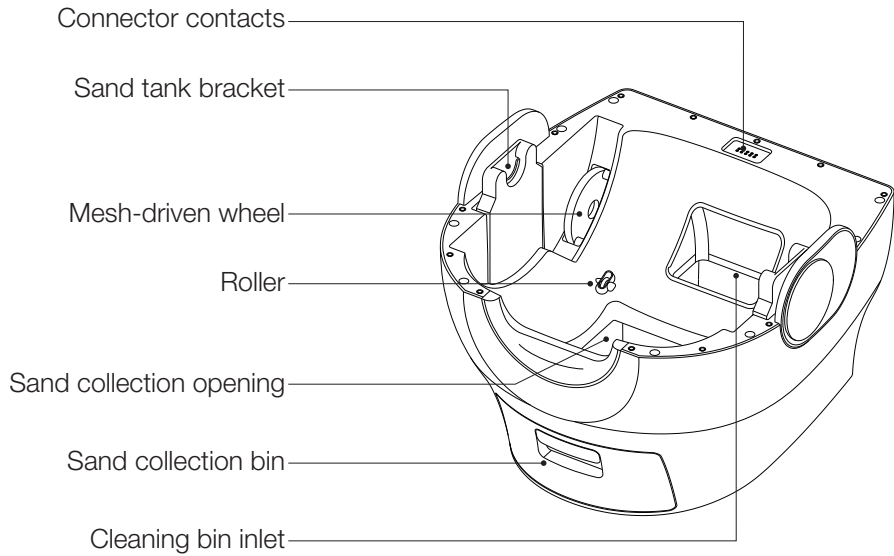
— Upper Shell Assembly



— Sand Tank Assembly



— Base Assembly

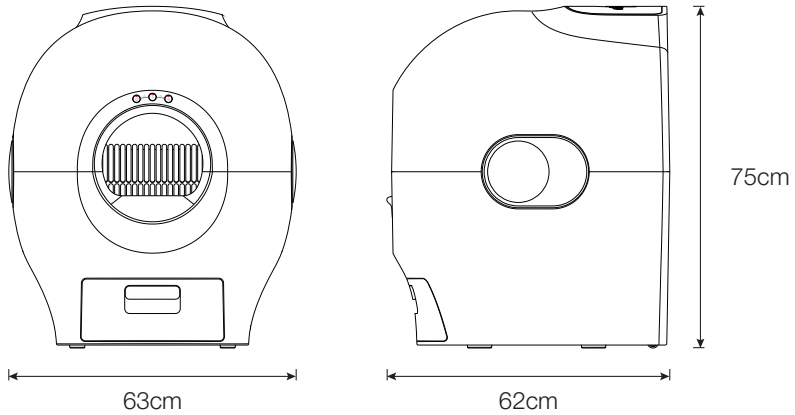


Preparation Before Use

1. Installation Environment

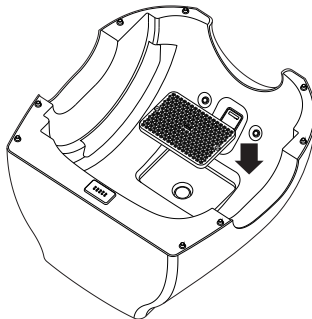
- Due to the product's need for water intake and drainage, please place the product in an area equipped with a faucet and floor drain.
- Position the product on a flat, hard surface. Clear any debris around the product, maintaining a distance of at least 5cm from other objects (such as walls) to avoid excessive vibration and noise during product operation.

* Please reserve sufficient space for the product based on its dimensions.



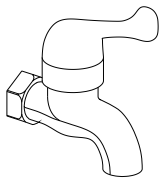
2. Install the Air Purification Filter

After confirming the product is free of any issues, take out the air purification filter from the packaging and place it into the slot inside the upper shell component. Press gently to secure the filter.

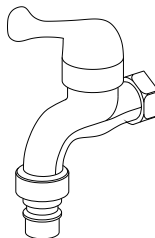


3. Confirm the Faucet Connection for the Water Inlet Pipe

The water inlet pipe joint is a four-way quick connector. Check if the faucet has a four-way connector structure. If the faucet does not have a four-way connector, replace the faucet with the one provided in the accessories, which is a one-to-two faucet. (Users can also purchase a faucet that meets their needs for installation and use.)



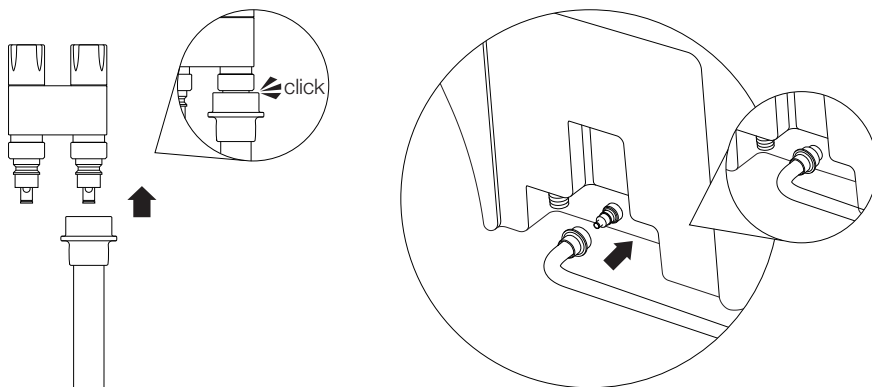
Regular faucet



Four-way interface faucet

4. Connect the water inlet pipe

Press down on the water inlet pipe joint slider, insert the water inlet pipe into the four-way interface of the faucet, then release the slider until you hear a 'click' to complete the connection. (The connection of the water inlet pipe to the product water inlet is similar.)

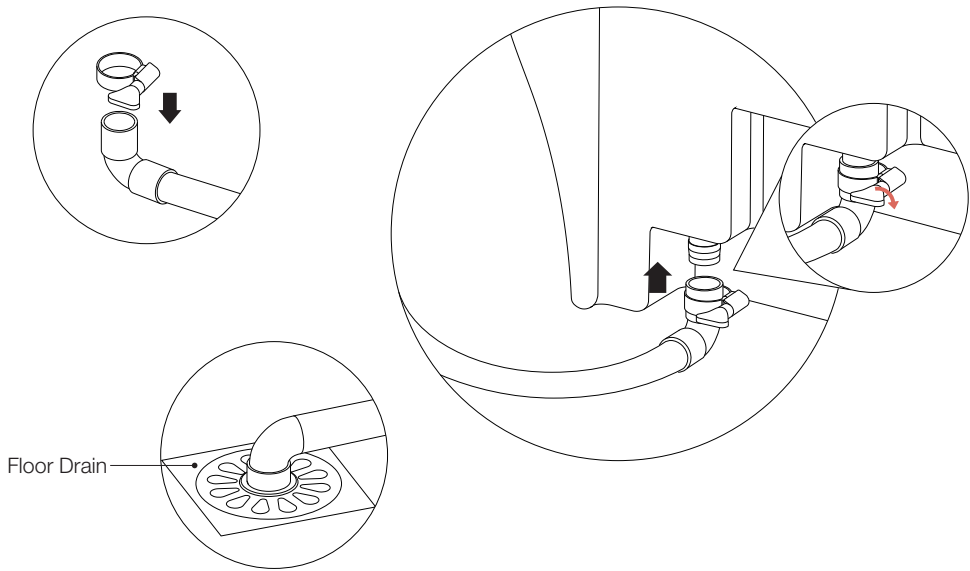


5. Check if the water inlet pipe is connected properly

After installing the water inlet pipe, gently pull and stretch it to confirm a secure connection. Open the faucet to check if there are any leaks at the connection between the water inlet pipe, faucet, and water inlet. (Do not forcefully bend or fold the water inlet pipe.)

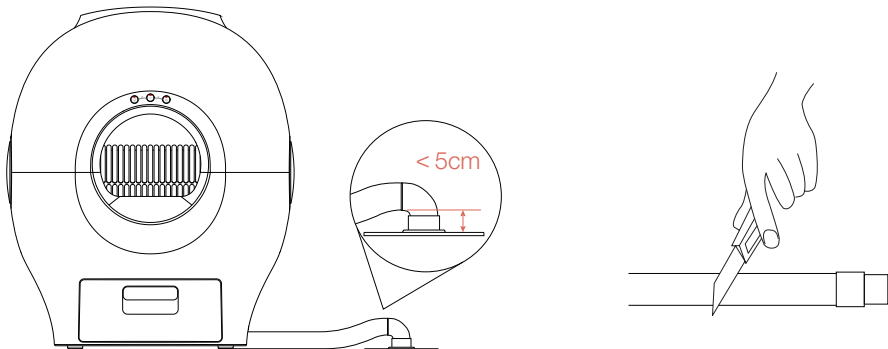
6. Connect the drain pipe

- Slip the hose clamp onto the L-shaped interface of the drain pipe.
- Forcefully push the L-shaped interface of the drain pipe into the product drain interface, then rotate the locking knob on the hose clamp to secure the drain pipe to the product drain outlet.
- Insert the other end of the drain pipe interface into the floor drain.



Friendly Reminder

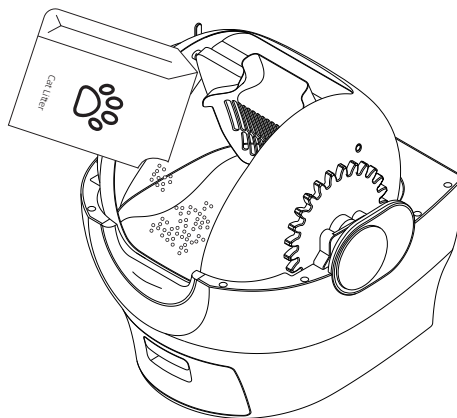
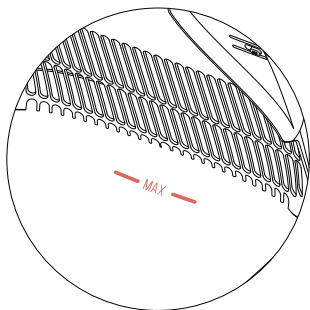
- To ensure smooth drainage, the height of the drainage pipe should be less than 5cm.
- If the drainage pipe is too long, you can cut off the excess part. However, if you need to extend the drainage pipe, you will need to purchase an additional drainage pipe.



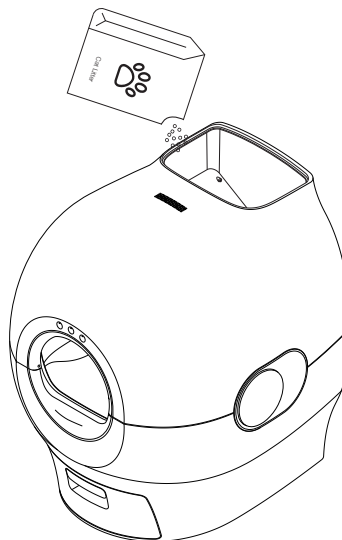
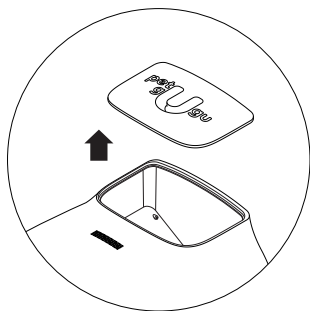
7. Adding Cat Litter

①. After removing the upper shell component, add cat litter to the sand bin.

* Note that the amount of cat litter added to the sand bin should not exceed the MAX line indicated inside the sand bin (approximately 6.5L).

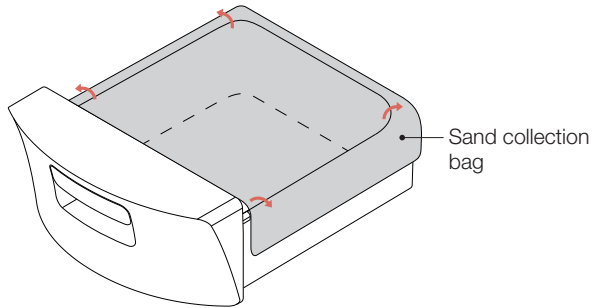
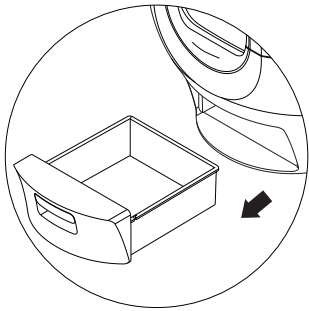


②. After adding cat litter to the sand bin, place the upper shell component back on the machine. Lift the sand storage bin cover, add cat litter to the storage bin (maximum capacity approximately 8.5L), and replace the cover after filling the storage bin with cat litter.



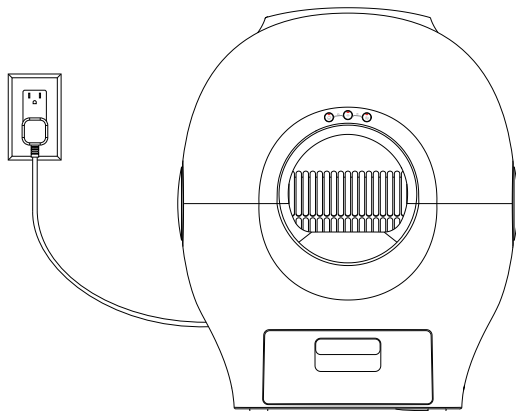
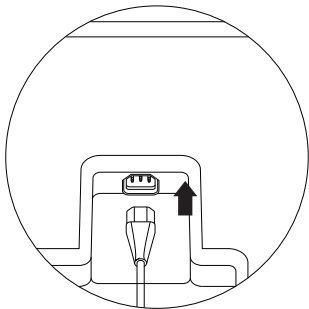
8. Install the Litter Bag

Pull out the litter bin from the product, place the litter bag into the litter bin, smooth the edges of the litter bag, and push the litter bin back into the product.

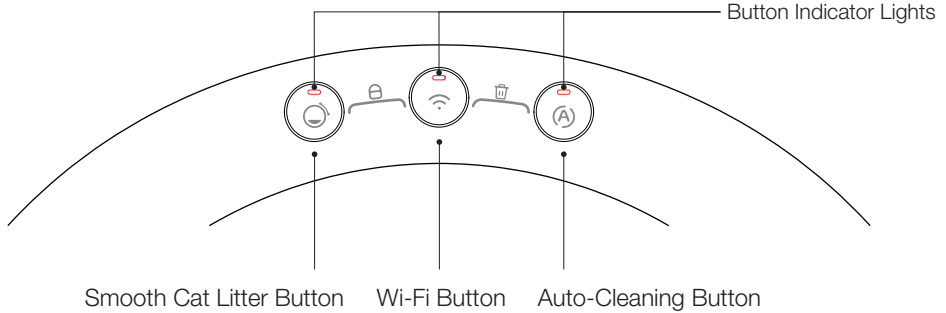


9. Connect the Power

Insert the power cord interface into the power interface on the back of the product, and plug the power plug into the power outlet.



Button Instructions



Smooth Cat Litter Button

Press this button lightly, the button indicator light flashes white slowly (once every 3 seconds), the sand bin rotates back and forth 40° three times, smoothing the cat litter on the cat litter pad.

Wi-Fi Button

Long press for 3 seconds, the button indicator light flashes white slowly, and the device enters Wi-Fi pairing mode.

Auto-Cleaning Button

Lightly press this button, the button indicator flashes slowly in white, and the device enters automatic cleaning mode to clean cat excrement inside the machine.

Open/Close Child Lock (Child Lock Key)

Simultaneously long-press the Flat Cat Litter Key and Wi-Fi Key to open/close the child lock.

* If there is no button action on the device for 10 minutes, the device will automatically enter child lock mode. Please disable the child lock function before using the button features again.

One-Key Dumping of Cat Litter (One-Key Dumping Key)

Simultaneously long-press the Wi-Fi Key and Automatic Cleaning Key to enter the cat litter dumping mode.

Note: If the sand collection bin at the base is not installed correctly, the device will be unable to perform the cat litter dumping function.

Indicator Light Explanation

* If there is no operation within one minute, the indicator light will automatically turn off.

Flat Cat Litter Key Indicator Light

White slow flashing: The machine is leveling cat litter.

White steady light: Leveling cat litter is completed.

Wi-Fi Key Indicator Light

White slow flash: ①Enters pairing mode, waiting for Wi-Fi connection;

②Wi-Fi disconnection and no automatic reconnection within 10 seconds.

White steady light: Wi-Fi connection successful.

* If connection fails or is disconnected for more than 2 minutes without reconnection or other operations, the indicator light will go out.

Auto-cleaning button indicator

White slow flash: The device has entered automatic cleaning mode and is undergoing automatic cleaning.

White steady light: Automatic cleaning is complete.

Feature Introduction

Auto-Cleaning

Fully automated intelligent burying and cleaning of cat excrement, clean and sterile, freeing hands, and odor-free; cat owners no longer need to manually scoop cat litter to clean cat excrement.

Video Monitoring

High-definition looping video automatically records the number of times the cat uses the toilet, allowing cat owners to check the cat's defecation status on the app at any time, understanding the cat's health.

Sterilization and Deodorization

The product has a built-in fresh air system and UV sterilization function. The fresh air system adsorbs the odor generated by the cat after using the toilet, and UV sterilization kills bacteria in the litter box through ultraviolet light.

Kitten Mode

After activating Kitten Mode on the app, the product will only bury the excrement after the cat uses the toilet and will not perform automatic cleaning. Users need to press the button manually to put the product into automatic cleaning mode.

Automatic Cat Litter Addition

The product is equipped with an 8.5L litter storage compartment at the top. When the litter in the compartment is below the set level, it will automatically add an appropriate amount of cat litter to the compartment. (During the automatic litter addition, the product will seal the compartment to prevent dust pollution.)

One-Key Old Litter Disposal

By combining buttons, the product enables a one-key function to dump old cat litter, allowing it to be emptied into the waste compartment.

APP Download

This product is integrated with the petgugu APP, and users can download and install the app through the following methods.

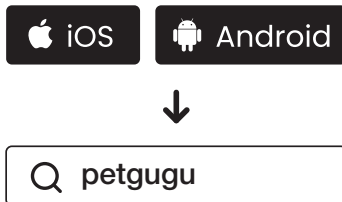
Method 1:

Scan the QR code and download install the App according to the prompts.



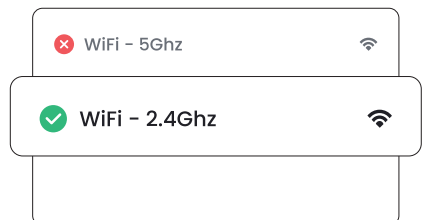
Method 2:

Open the mobile app store, search for "petgugu", download and install.



Tips:

- After installation, please complete the registration, user login and network connection as instructed by mobile App.
- Please confirm that the Wi-Fi is 2.4 G band network before network connection.



Maintenance and Care

I. Maintenance and Care Guidelines

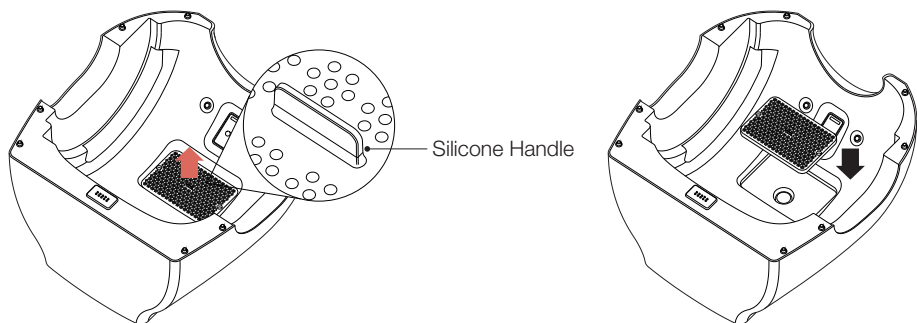
1. Please avoid placing the product in direct sunlight to prevent accelerated yellowing and aging.
2. For an optimal user experience, it is recommended to clean the product monthly to ensure a hygienic environment for your cat.
3. Disconnect the product from the power source before performing cleaning and maintenance.
4. Do not use corrosive cleansers, gasoline, kerosene, polishing powder, bleach, or other chemical agents to clean this product.
5. After powering off, lift the upper shell assembly, remove the sand compartment assembly, and disassemble it for cleaning, including the sieve, cat litter pad, and sand compartment.
(Note: The sieve, cat litter pad, and sand compartment are washable.)
6. Due to electronic components in the upper shell and base assemblies, do not wash them with water. Instead, wipe them with a damp cloth and neutral cleaner after disconnecting the power.
7. If the product is not used for an extended period, perform a thorough cleaning, cover it with a dust cover, or return it to the original packaging in sequence. Store it in a dry place for better preservation until the next use.

II. Replacement of Air Purification Filter

- * To maintain the deodorizing effect of the product, it is recommended to replace the air purification filter approximately every 30 days under normal usage conditions.
(Do not immerse the air evolution filter in water or wash it directly)

Replacement Guide

- . Lift the upper shell component and place it upside down on a soft surface. Grip the silicone handle on the air purification filter and pull it upward to remove the old air purification filter.
- . Take out the new air purification filter, press it into its slot to secure it, and then place the upper shell component back on the product to complete the replacement.

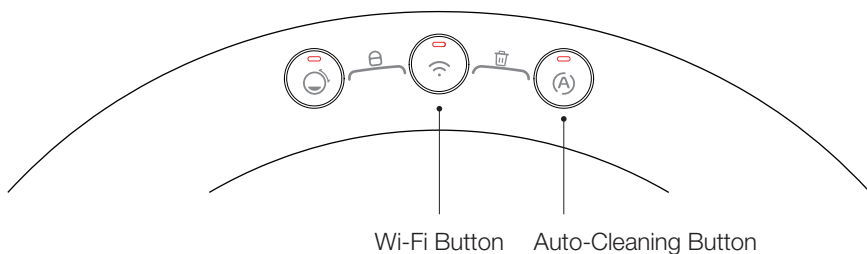


III. Cat Litter Replacement Guide

1. Clean the old cat litter from the litter compartment

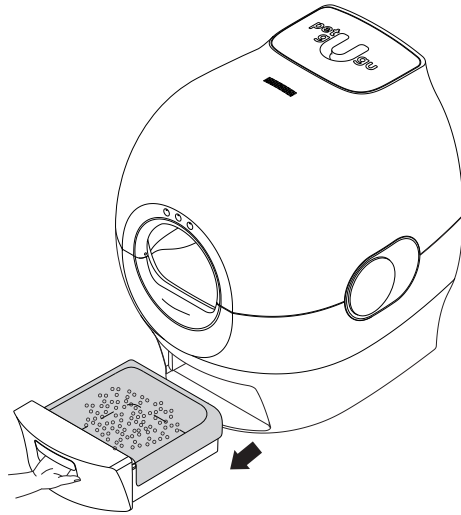
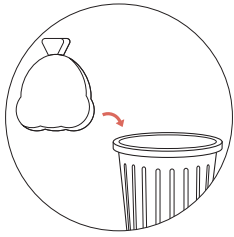
Simultaneously press the Wi-Fi button and the automatic cleaning button, and the device enters one-key cat litter dumping mode. Pour the old cat litter in the litter compartment into the bottom collection bin.

* When the bottom collection bin is not properly installed, the device will be unable to perform the cat litter dumping function.



2. Clean the old cat litter from the collection bin

Pull out the collection bin from the base, lift and tie the bag containing the old cat litter, throw it into the trash bin, then place a new collection bag on the collection bin and push the collection bin back into the base.



3. Add cat litter

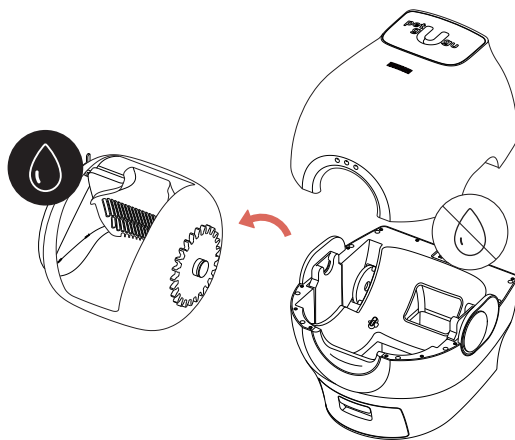
- You can use the mobile app to control the sand storage bin to automatically add cat litter to the litter compartment.
- You can directly add an appropriate amount of cat litter to the litter compartment (be careful not to exceed the MAX line).

IV. Cleaning Guide

1. Remove the Sand Bin Assembly

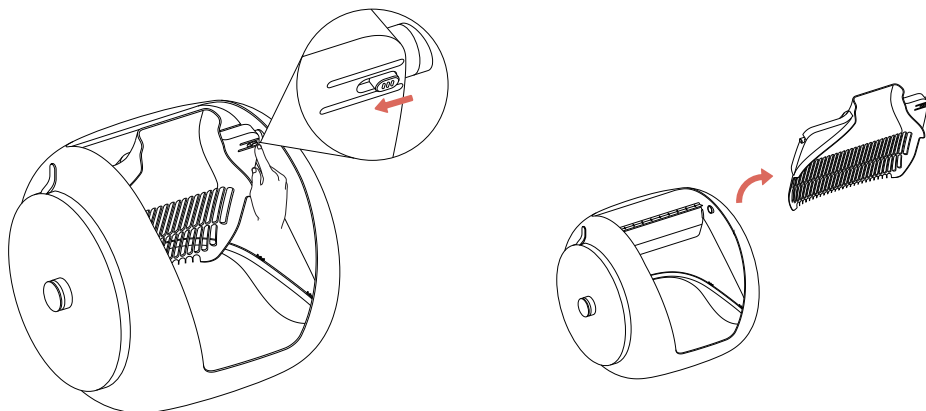
Refer to the previous section on emptying the cat litter from the sand bin assembly. After disconnecting the device's power, lift the upper shell assembly and then remove the sand bin assembly.

* Due to electronic components inside the device, neither the upper shell assembly nor the base assembly can be washed with water. They can only be wiped clean with a damp cloth and a neutral detergent. The sand bin assembly can be separated for washing.

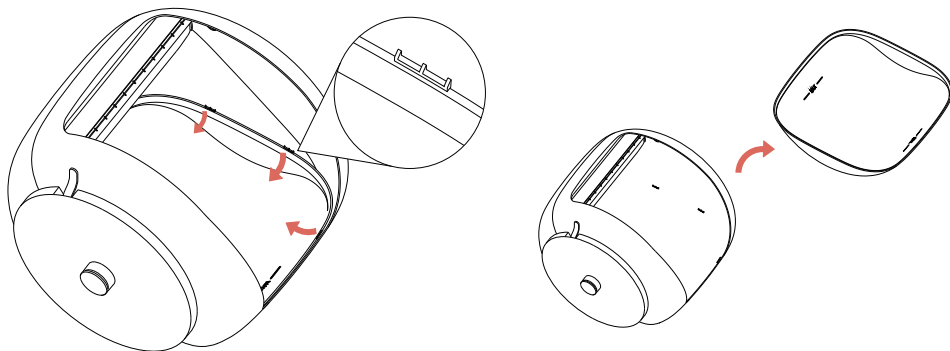


2. Disassemble the Sand Bin Assembly

① Push the sieve lock switch forcefully to the left to release the fixation between the sieve and the sand bin assembly, then remove the sieve.

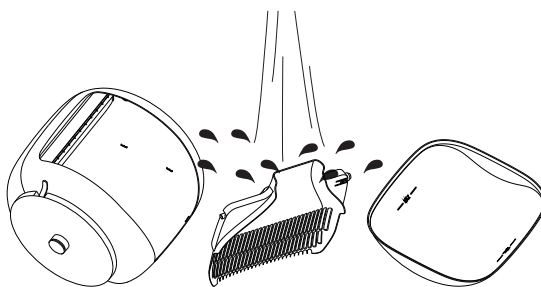


②. Use your hands to push along the edge of the cat litter pad towards the center, releasing the buckle between the edge of the cat litter pad and the inner part of the sand bin. Then, remove the cat litter pad.



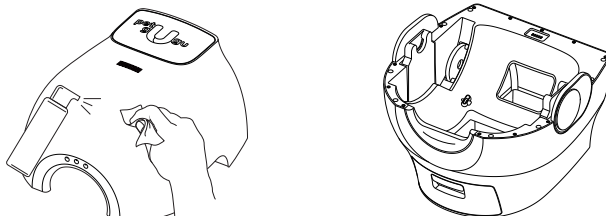
3. Clean Each Component

Clean the sand bin, sieve, and cat litter pad with water, optionally using a neutral detergent. After cleaning, each component must be completely air-dried before reassembly.



4. Wipe the Product's Exterior

The upper shell assembly and the base assembly can be wiped with a damp cloth and a neutral detergent after the product is powered off.



5. Reassemble After Cleaning

After cleaning and ensuring that any residual moisture on the product has dried, reassemble the product in sequence, then reconnect the power to use it again.

Common Issues

1. No response from the device after connecting the power?

- ① Please confirm the product's power line connection and check if the home power is on and the socket is functioning properly.
- ② Check if there are any obstructions at the power connection point between the upper and lower components.

2. No response from the device buttons?

The device may be in child lock mode. Please simultaneously long-press the flat Cat Litter button and Wi-Fi button to deactivate the child lock.

3. Vibrations or unusual sounds during device operation?

If the device is placed on an uneven surface or if there are foreign objects at the bottom, please position the device on a flat, hard surface. Clear any debris around the device and maintain a distance of at least 5cm from other physical objects (e.g., walls).

4. Unable to drain or slow drainage?

- ① Check if the drainage pipe is bent, blocked, or frozen.
- ② Confirm if the highest point of the drainage pipe is 5cm above the ground.

5. The device only performs the burying action without water injection, cleaning, or drainage?

- ① Check if the kitten mode is enabled in the mobile app.
- ② Verify if the faucet is open, if the water inlet pipe is bent, and if there are any blockages or freezing in the faucet, water inlet pipe, and device water inlet.

6. Faucet leakage?

- ① Confirm if the faucet's shape is appropriate and if there is any damage.
- ② Ensure that the water inlet pipe joint is properly installed.

7. Unable to connect to the app?

① Confirm that the device is within Wi-Fi signal range and that the entered Wi-Fi username and password are correct.

② Make sure that the network Wi-Fi being used is a 2.4G frequency network.

* If encountering unresolved or unsolved issues, please contact customer service for consultation. Do not attempt to disassemble or repair the machine independently to avoid safety incidents.

Basic Parameters

Product Model	PW5
Rated Voltage	DC12V
Rated Power	120W
Net Weight	Approximately 27kg
Sand Hopper Space	80L
Sand Hopper Capacity	8.5L
Product Dimensions	63×62×75cm
Operating Temperature	5°C ~ 50°C
Operating Humidity	10% -90% RH
Power Cord Length	1.2m
Sterilization Method	UV Ultraviolet Sterilization
FCC ID	xxxxxxx

After-sales Service

Purchase Information

User Name _____

User Contact Number _____

User Mailing Address and Postal Code _____

Purchase Date _____

Maintenance Records

Maintenance Center Name _____

Maintenance Center Phone Number _____

Date of Sending for Repair _____

Cause of Malfunction _____

Description of Malfunction during Repair _____

Refund Proof _____

Signature of Maintenance Personnel _____

Seal of Maintenance Center _____

* Out-of-Warranty Scenarios

1. Damage caused by improper use, maintenance, or storage by the consumer.
2. Damage resulting from self-disassembly or disassembly by unauthorized personnel.
3. Damage caused by force majeure such as natural disasters.
4. Product malfunctions or damage due to accidents or human factors (unauthorized modifications, liquid ingress, scratches, collisions, compression, etc.).

* Service Policy Notes

1. If a purchased product exhibits quality issues upon unboxing, please contact the seller.
2. We provide lifetime maintenance services, and products beyond the warranty period require payment of corresponding fees.

3. For products with quality issues, the manufacturer covers the shipping costs; for non-quality issues, the buyer is responsible for the shipping costs.
4. When returning for replacement or repair, please send the receipt and the machine together. If there are gifts or invoices, please include them in the return shipment.

Service and Support

✉ Email: service@petgugu.com

🌐 Website: www.petgugu.com

petgugu

Certificate OF Qualification

Inspected And Approved



Scannen Sie den QR-Code, um das Online-Handbuch auf Deutsch zu erhalten.

Scannez le QR code pour obtenir le manuel en ligne en français.

Scansiona il codice QR per ottenere il manuale online in italiano.

Escanee el código QR para obtener el manual en línea en español.

コードをスキャンして、日本語のオンライン マニュアルを取得します。