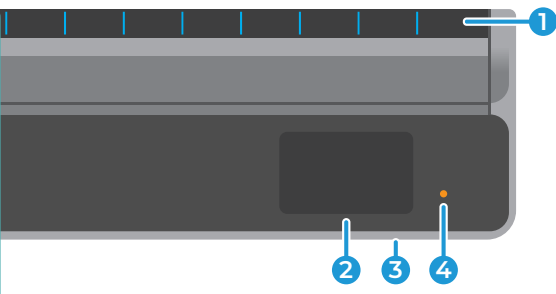


NeoRuler

QUICKSTART GUIDE

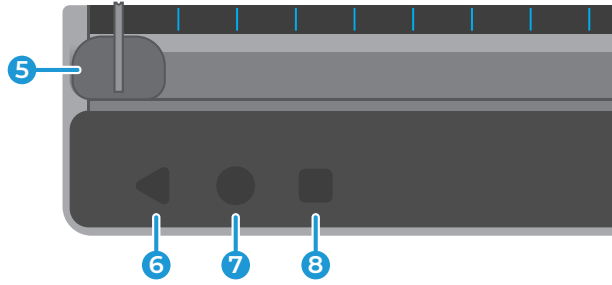
Model : N01 | Ver:1.3

Basic

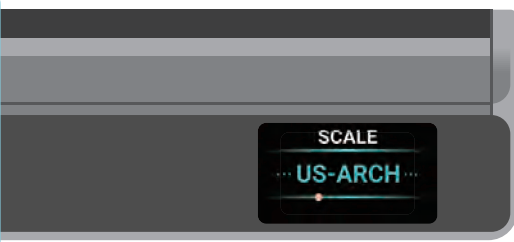


- ① LED Marks
- ② Screen
- ③ USB-C Charging Port
- ④ Charging Light

- NeoPointer ⑤
- Back / ON-OFF ⑥
- Select Button ⑦
- Switch Button ⑧



Start to use



NeoRuler has 93 built-in scales distributed in 8 scale modes. Select the default scale mode before use, and switch it in the setting menu.

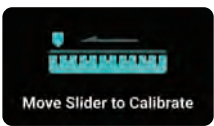
41 Built-in Metric Scales

Arch	ENG I	ENG II	MAP
1			
1/2	1/25	1/1000	1/100k
1/3	1/150	1/1250	1/125k
1/4	1/200	1/500	1/200k
1/5	1/250	1/625	1/250k
1/10	1/300	1/2000	1/500k
1/20	1/400	1/2500	1/1000k
1/25	1/500	1/5000	1/2000k
1/30		1/6000	1/2500k
1/40		1/10k	
1/50		1/12.5k	
1/72		1/20k	
1/75		1/25k	
1/100		1/50k	

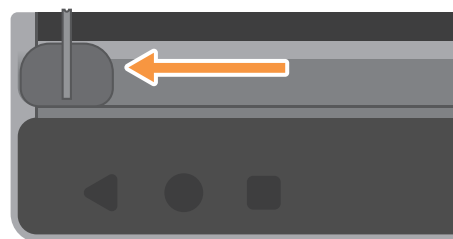
52 Built-in US Standard Scales

Arch	ENG I	ENG II	MAP
1 = 1			
6" = 1	1' = 10'	1' = 300'	1' = 1 Mi
4" = 1	1' = 20'	1' = 333'	1' = 1.5 Mi
3" = 1	1' = 30'	1' = 416.6'	1' = 2 Mi
2" = 1	1' = 40'	1' = 500'	1' = 3 Mi
1 1/2" = 1	1' = 50'	1' = 583.3'	1' = 4 Mi
1" = 1	1' = 60'	1' = 600'	1' = 5 Mi
3/4" = 1	1' = 70'	1' = 625'	1' = 6 Mi
1/2" = 1	1' = 80'	1' = 666'	1' = 10 Mi
3/8" = 1	1' = 83.3'	1' = 750'	1' = 20 Mi
1/4" = 1	1' = 90'	1' = 1000'	1' = 24 Mi
3/16" = 1	1' = 100'	1' = 1200'	1' = 25 Mi
1/8" = 1	1' = 166.6'	1' = 2000'	
3/32" = 1	1' = 200'	1' = 3000'	
1/16" = 1	1' = 250'		

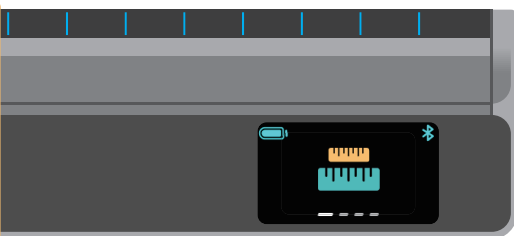
Calibration



When the calibration notification shows up, move the NeoPointer to the left for calibration. When finished, click any button to return.

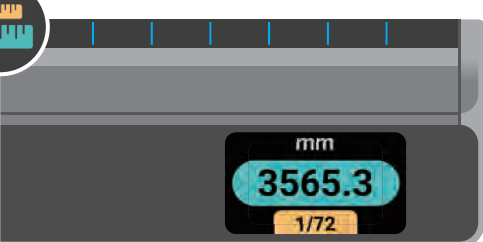


Main menu

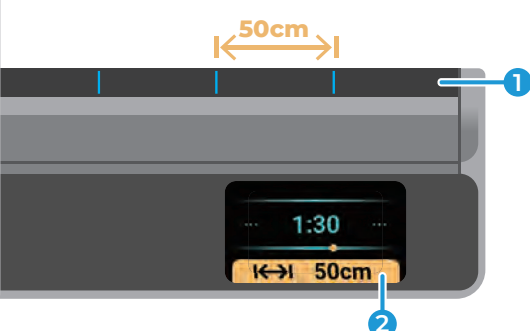


- ◀ 2 sec > ON/OFF
- Select
- Switch Function
- 🕒 5 min > Sleep, 2 hr > OFF
- 🔋 1.5-2 hrs > 100%

Scale Ruler



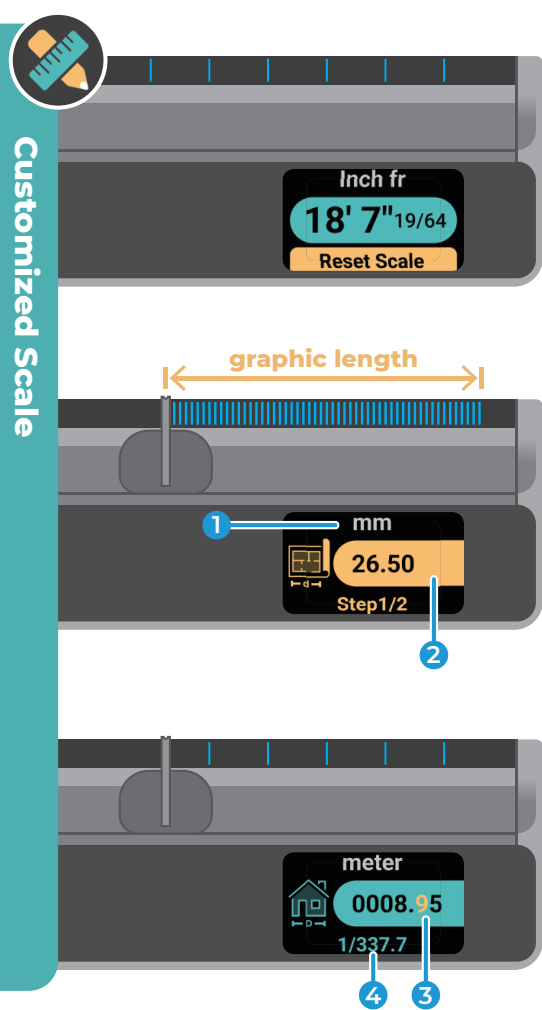
- ◀ *1 Back to zero / *2 Main Menu
- Bluetooth Send / Select Scale / Select Unit
- Switch (length / scales / unit)



Scale Setting

The spacing between the LED Mark (1) changes when changing the scale. The distance indicator (2) represents the actual scaled length between two marks.

- ◀ Back to measure
- Switch Scales



Customized Scale

◀ *1 Zero / *2 Main Menu

● Bluetooth Send / Reset Scale / Select Unit

■ Switch (length / scales / unit)

Step 1 | Measure Graphic Length

The principle of customized scale is to measure a section of graphic length corresponding to its actual distance

① Unit of Graphic Length ② Graphic Length

◀ Back to measure ■ Switch Section

Step 2 | Input Actual Distance

Use the pointer or press the ● button to increase the value of the actual length. Press the ■ button to switch between different digits and units.

③ Actual Distance ④ Calculated Scale

■ Switch digits/Sections ● Add value

Divider allows the user to divide a certain distance (slider's distance) into 2-12 sections.

① # of division

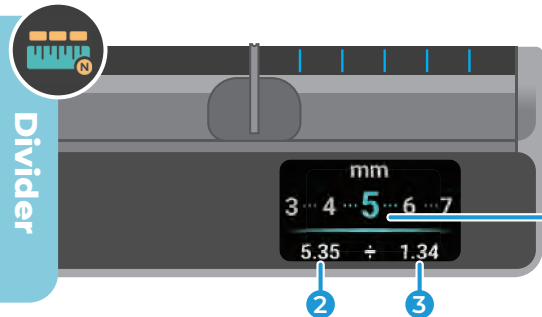
◀ Main Menu

② Total Length

● Change # of division

③ Section Length

■ Switch Section



Divider



Setting

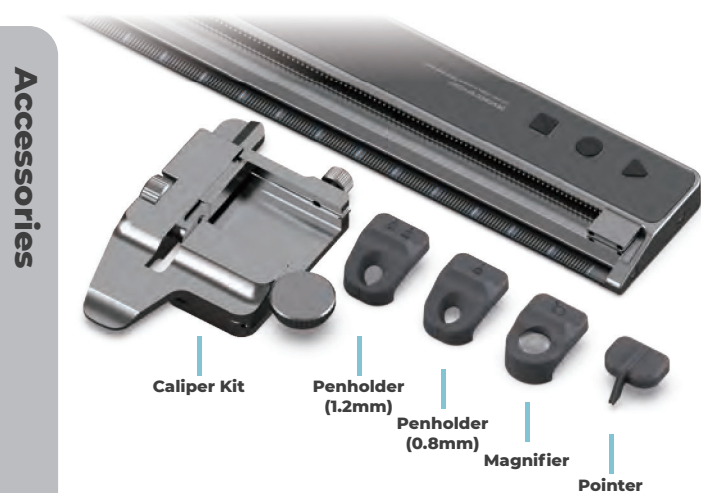
Mode
(Normal/Caliper)

Battery
Normal/ Performance

* In performance mode, NeoRuler does not go into standby or power off

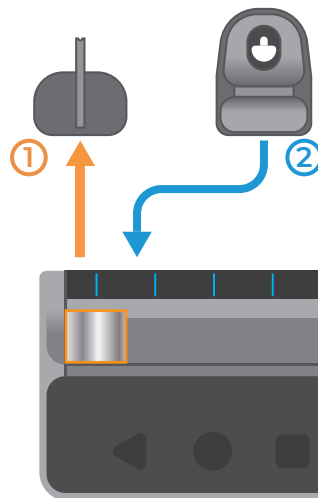
Scale
(8 Scale Modes)

Info



Accessories

Place the NeoRuler flat on the desktop when replacing the module, and gently push the pointer forward. Then put the new accessory into the slot.



NeoRuler's slider uses a modular snap design that allows you to easily replace the slider pointer or other functional accessories. For more information, please visit the HOZO DESIGN official website."

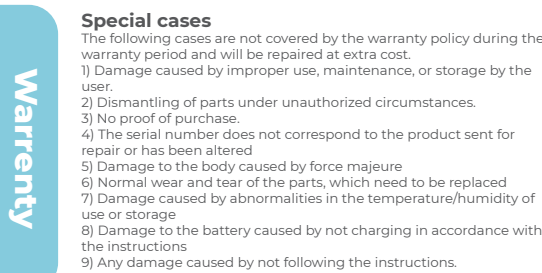
*The accessories shown on this page are not included and need to be purchased separately.



APP



Download MEAZOR APP to enhance your experience with NeoRuler, Include Data transfer, List mode, Drawing, and much more! Free for lifetime use and Available to download in Apple APP Store and Google Play Store.



Warranty

Warranty period
HOZO Design. CO. - One-year Limited Consumer Warranty covers your product against manufacturing defects for one year from the date you bought your product.

How to send it for repair?
If the product needs to be repaired, please contact the distributor and send the product accordingly, and provide a valid **device number** with proof of purchase.

contact us: support@hozodesign.com



USER INSTRUCTIONS

Access to detailed multilingual instruction manuals, FAQ & Instruction video in: English | Chinese | Japanese | German | Spanish | Italian | French



- a) Download MEAZOR APP to view
- b) Scan the QR code with web browser to view online

Contact US

Online form: www.hozodesign.com/contact
Support Email: support@hozodesign.com

Copyright

The above product specifications are subject to change without notice. All rights of interpretation are reserved by HOZO DESIGN CO. All trademarks, images, technical data, and intellectual property rights are the properties of HOZO DESIGN CO., Limited and are subject to copyright infringement.



FCC warning:

1. This device should be installed and operated with minimum distance 5mm between the radiator&your body.
2. This device complies with part 15 of the FCC Rules. Operation is subject to the following two conditions:
 - (1) This device may not cause harmful interference, and
 - (2) This device must accept any interference received, including interference that may cause undesired operation.
3. Changes or modifications not expressly approved by the party responsible for compliance could void the user's authority to operate the equipment.
4. This equipment has been tested and found to comply with the limits for a Class B digital device, pursuant to part 15 of the FCC Rules. These limits are designed to provide reasonable protection against harmful interference in a residential installation. This equipment generates, uses and can radiate radio frequency energy and, if not installed and used in accordance with the instructions, may cause harmful interference to radio communications. However, there is no guarantee that interference will not occur in a particular installation. If this equipment does cause harmful interference to radio or television reception, which can be determined by turning the equipment off and on, the user is encouraged to try to correct the interference by one or more of the following measures:
 - Reorient or relocate the receiving antenna.
 - Increase the separation between the equipment and receiver.
 - Connect the equipment into an outlet on a circuit different from that to which the receiver is connected.
 - Consult the dealer or an experienced radio/TV technician for help.

This equipment complies with FCC radiation exposure limits set forth for an uncontrolled environment. This equipment should be installed and operated with minimum distance 0cm between the radiator and your body.