

2.4G antenna specification

1, Index

Item	Content	Page	Remark
1	Index	1	
2	Spec Drawing	2	
3	Specification	2	
4	Antenna On Test Board	3	
5	Return Loss	3	

Document Type: 2.4GHZ antenna

Document Version: V1.0

Release Date: July 20, 2019

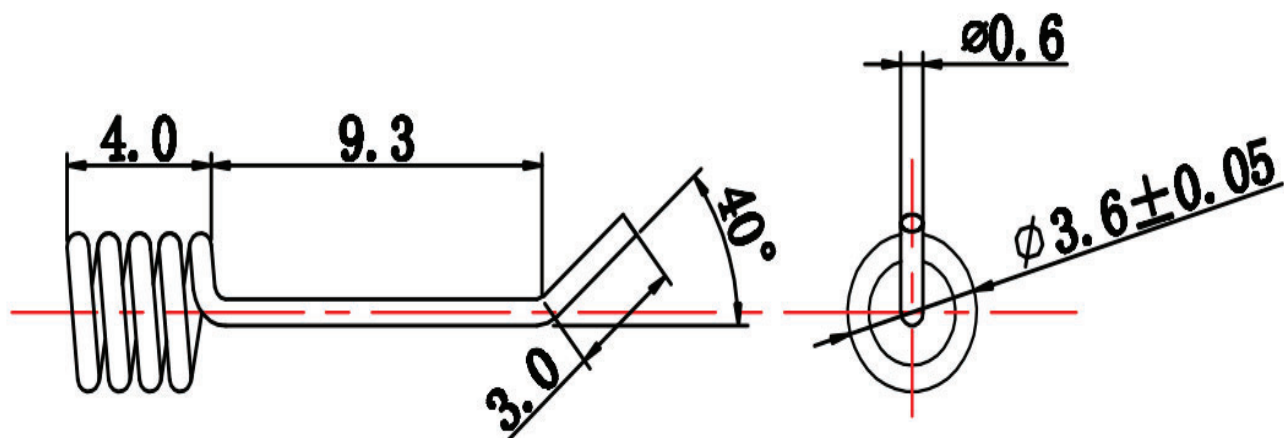
SYCREADER ELECTRONIC (GUANGZHOU) CO.,LTD

Telephone: 86-020-32229138

广东省广州市增城区新城大道400号低碳总部园15号楼502

www.sycreader.com

2, Spec Drawing



3, Specification

Product Number: 2.4GHZ antenna

Sample Photo:



A. Electrical Characteristics

Frequency	2400 ~ 2500 MHz
S.W.R.	≤ 2.0
Gain	0 dBi
Efficiency	~ 50%
Polarization	Linear
Impedance	50 Ohm

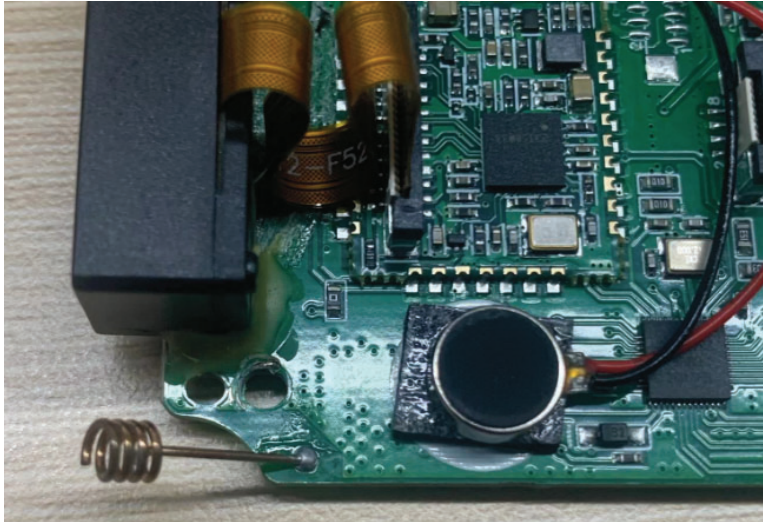
B. Material & Mechanical Characteristics

Material of Radiator	Phosphor copper wire
----------------------	----------------------

C. Environmental

Operation Temperature	- 40°C ~ + 85°C
Storage Temperature	- 40°C ~ + 105°C

4, Antenna On Test Board



5, Return Loss

