



Scout – RSS-300 User Manual

After Sale Service:

Email: support@wirepulse.io

Phone: (312) 971-9986





NOTE: This equipment has been tested and found to comply with the limits for a Class B digital device, pursuant to part 15 of the FCC Rules. These limits are designed to provide reasonable protection against harmful interference in a residential installation. This equipment generates, uses and can radiate radio frequency energy and, if not installed and used in accordance with the instructions, may cause harmful interference to radio communications. However, there is no guarantee that interference will not occur in a particular installation. If this equipment does cause harmful interference to radio or television reception, which can be determined by turning the equipment off and on, the user is encouraged to try to correct the interference by one or more of the following measures:

- Reorient or relocate the receiving antenna.*
- Increase the separation between the equipment and receiver.*
- Connect the equipment into an outlet on a circuit different from that to which the receiver is connected.*
- Consult the dealer or an experienced radio/TV technician for help.*

Radiofrequency radiation exposure Information:

This equipment complies with FCC radiation exposure limits set forth for an uncontrolled environment. This equipment should be installed and operated with a minimum distance of 20cm between the radiator and your body. This transmitter must not be co-located or operating in conjunction with any other antenna or transmitter.

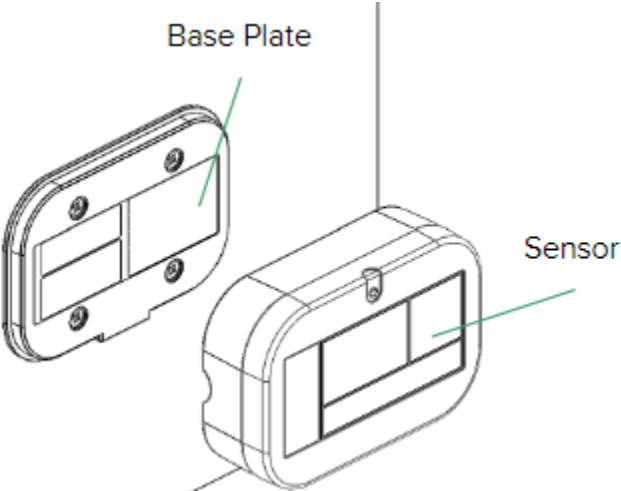
This device complies with part 15 of the FCC Rules. Operation is subject to the following two conditions:

- 1. This device may not cause harmful interference.*
- 2. This device must accept any interference received including interference that may cause undesired operation.*

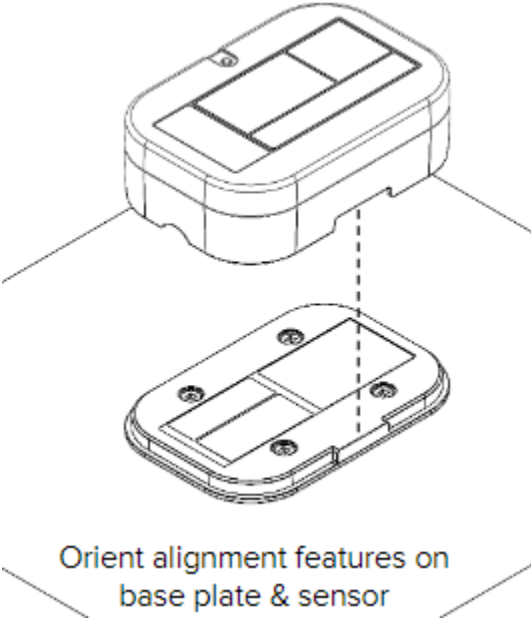
Changes or modifications made to this equipment not expressly approved by Wire Pulse, Inc. may void the FCC authorization to operate this equipment.



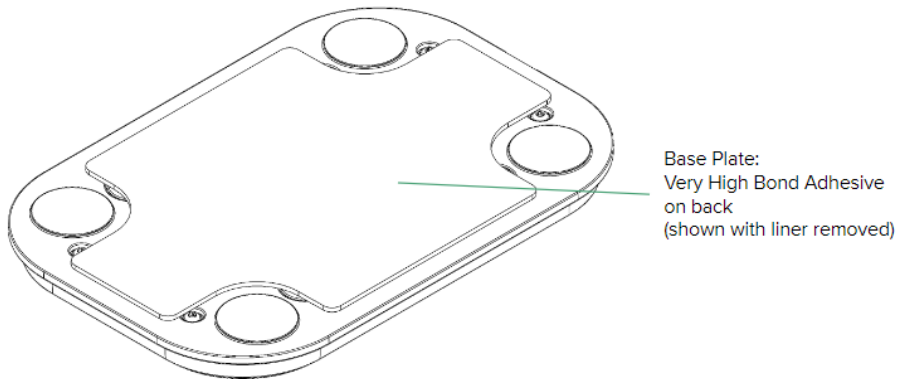
Sensor Components and Usage



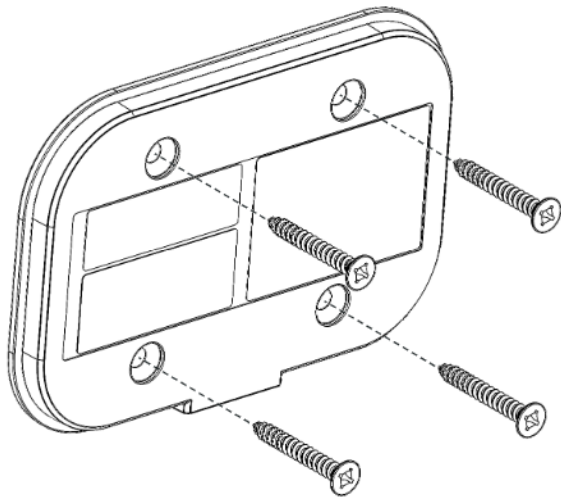
Sensor: Activity and Location Tracking
Base Plate: Sensor mounting



Installations



Base Plate can be positioned using provided adhesive located on the back side. To adhere the Base Plate to a reel of cable ensure the area where the base plate is being positioned is clean and dry. Peel off the adhesive film cover and firmly press the adhesive side of the Base Plate against the surface of the reel of cable.



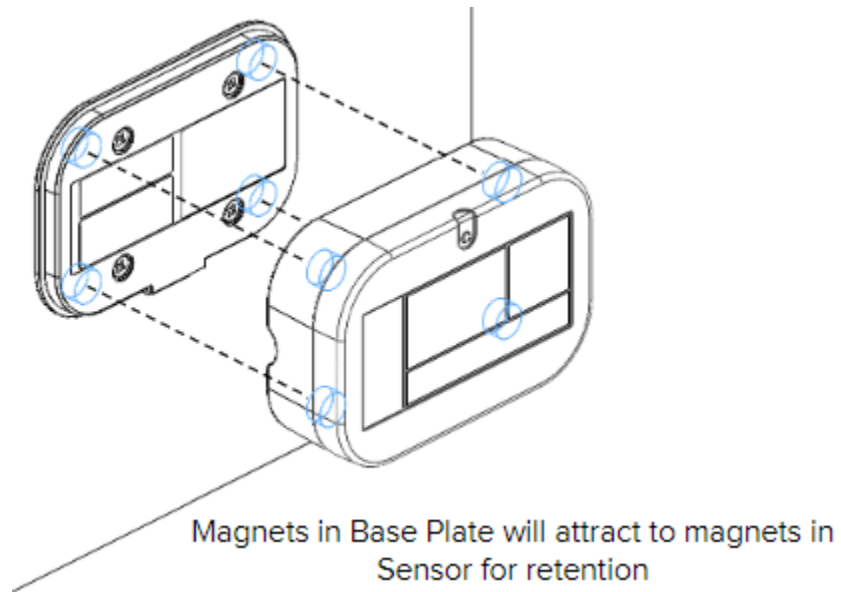
4 screws can be used as additional Base Plate retention (maximum size: #8 screw)
When positioning the Base Plate on a wooden reel it is recommended to use screws rather than the adhesive backing.

WARNING: Check to ensure the length of the screws used does not exceed the thickness of the flange on the reel of cable. If screws are longer than this thickness the screw can potentially puncture the cable on the reel.

Sensor/Base Plate attachment

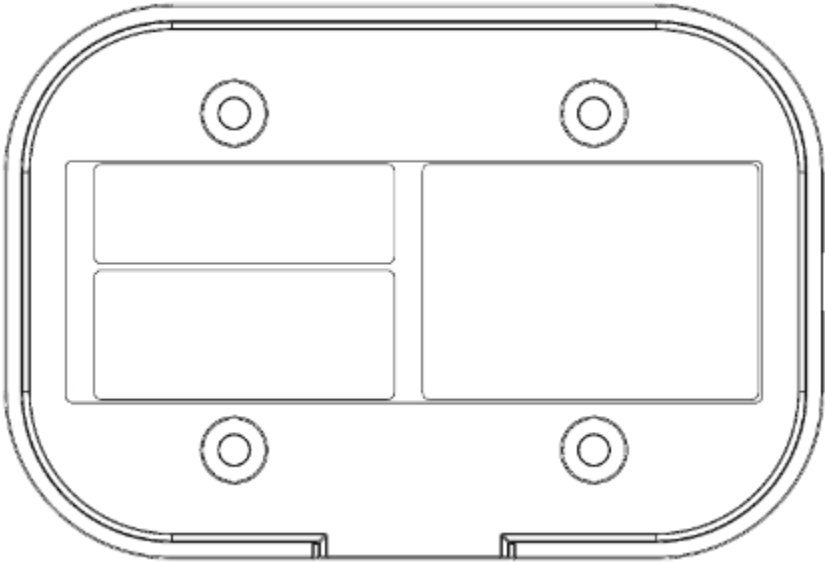
To attach the Sensor to the Base Plate be sure the notch on the Sensor's bottom side is aligned to the ridge on the Base Plate. Holding the Sensor with your fingers on the side of the Sensor, bring the Sensor's bottom toward the Base Plate. The magnetic attraction will attract and pull the Sensor on to the Base Plate

WARNING: To ensure superior retention, the magnetic attraction is very strong. Be sure to keep your fingers out from in between the Base Plate and Sensor as serious injuries could occur if pinched between the two.



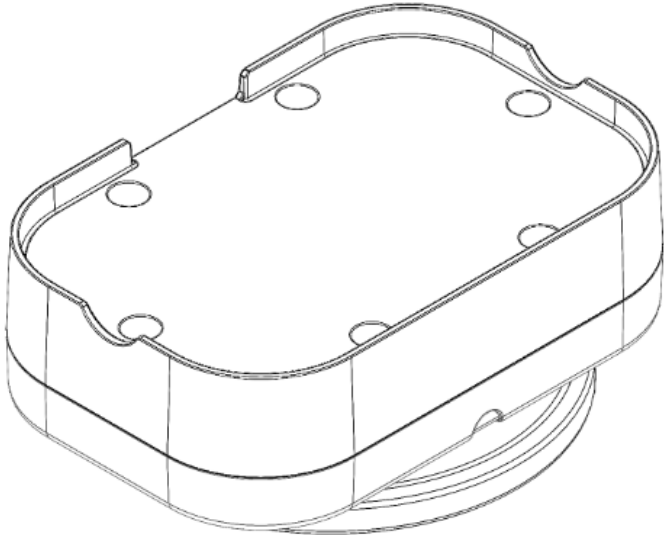
Operation Instructions

Once the Sensor has been attached to the Base Plate the Sensor will begin communicating with the Reel Sense Cloud.

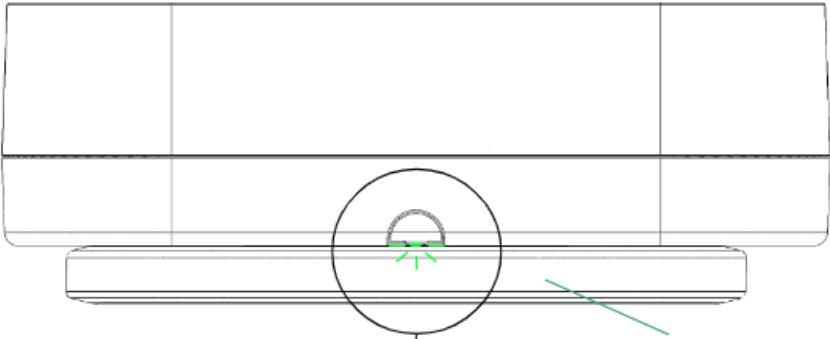


Charging Battery

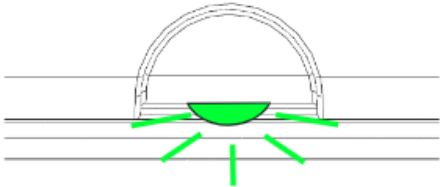
The sensor is equipped with Wireless Charging capabilities.
(See Technical Parameters for details)



Sensor placed top facing down



Wireless Charging Pad



LED indicates charging status

Mounting on a Wooden Reel



Technical Parameters

Item	Technical Parameter
Working Temperature Range	-20°C to +60°C
Battery Type	Chargeable Lithium Ion
Battery Capacity	4900 mAh
Wireless Charge Base	Qi-compliant 10 W Charger