



尺寸: 140 x 210 mm

材质及工艺: 封面彩印对折 200g铜版纸覆光膜
内容黑白105g铜版纸
骑马钉

日期: 20230512

备注: Mate 说明书



CIRCOOTER

Mate | Electric Scooter
User Manual



Keep exploring the world
www.circooter.com







Contents

Product Safety Notice	01
Package Contents	02
Product Overview	03
Specification	04
Display Content	05
Screen	07
E-SCOOTER APP	08
Assemble	09
Attention	09
Riding Basics	10
Riding Notice	12
Dangerous Actions	13
Charging	13
Disc Brake Adjustment	14
Safety Instructions	15
Limited Warranty Statement	16
Error Code	17
FAQ	18
Contact Us	18



Product Safety Notice

Don't Ride Until You Read This:

-  Always wear a helmet, elbow pads, and knee pads when riding your electric scooter.
-  Make sure your electric scooter has a full charge, and all screws are closely tightened before riding.
-  Always be aware of local road laws, and follow them.
-  Do not ride under the influence of drugs or alcohol.
-  Always respect pedestrians.
-  Do not ride under heavy rain or extreme temperature conditions. Do not ride in a puddle deeper than 1.5 inches. The electric scooter may slide causing injury. These conditions may damage the electronics and void the warranty.

Warning Message

Avoid Water --- The electric scooter has an IPX4 rating. The electronics may be damaged due to water and water damage is not covered by our warranty. Riding in heavy rain or extreme temperature conditions is also very dangerous and may result in injury.

Keep Away from Fire --- Do not bring the electric scooter near the fire.

Proper Storage --- Avoid prolonged exposure to sun or rain and avoid storage in places with high temperatures or corrosive gas.

Abuse --- We do not cover physical damage due to negligent care and extreme riding.

Safety Ride --- Whenever you ride the electric scooter, you risk severe injury or even death from loss of control, collisions, and falls.

Be Careful --- Use caution and ride at your own risk.

No Modification --- Only use original brand accessories. Unauthorized modification is strictly prohibited.

Before Riding --- Be sure to check that the entire scooter is in good condition, such as whether the locking screws of the motor, front wheels, folding joints, etc. are fastened and reliable. Do not ride at will before correcting any problems.

Before Riding --- be sure to check that the braking system is functioning properly, also be sure to check that all safety labels are in place and you understand the safety warnings.

No Hanging --- Do not hang heavy objects on the handlebars.

No Use --- Pregnant women, the disabled, and those with heart problems should not use this product.

Save Electricity --- To conserve electricity, do not frequent braking, ride against the wind, and carry heavy loads including other people.

Age Limit --- The electric scooter should never be used by children under the age of 18.

Not Overload --- Never exceed the 440 lbs (200 kg) maximum load rating.

Away Danger --- Keep hands and all body parts away from moving parts while operating the electric scooter.

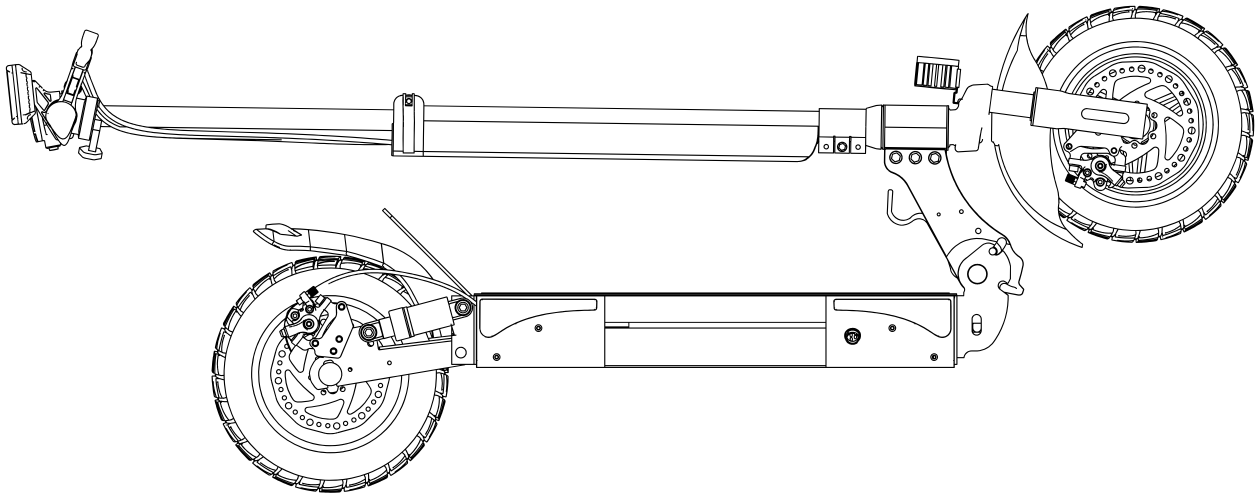
Caution --- Make note that additional insurance may be required to cover situations you encounter while riding an electric scooter. It is recommended that you contact an insurance company or broker for advice and consultation.



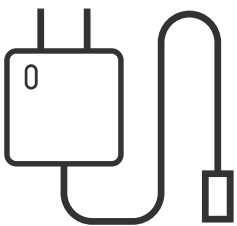
Package Contents

Carefully check package contents, if anything is missing or damaged, please contact circooter customer service for support: hello@circooter.com

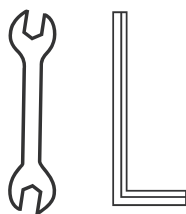
Keep the package box to ship back the scooter if necessary.



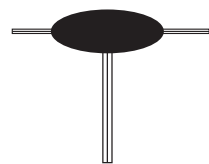
1 x Scooter



1 x Charger



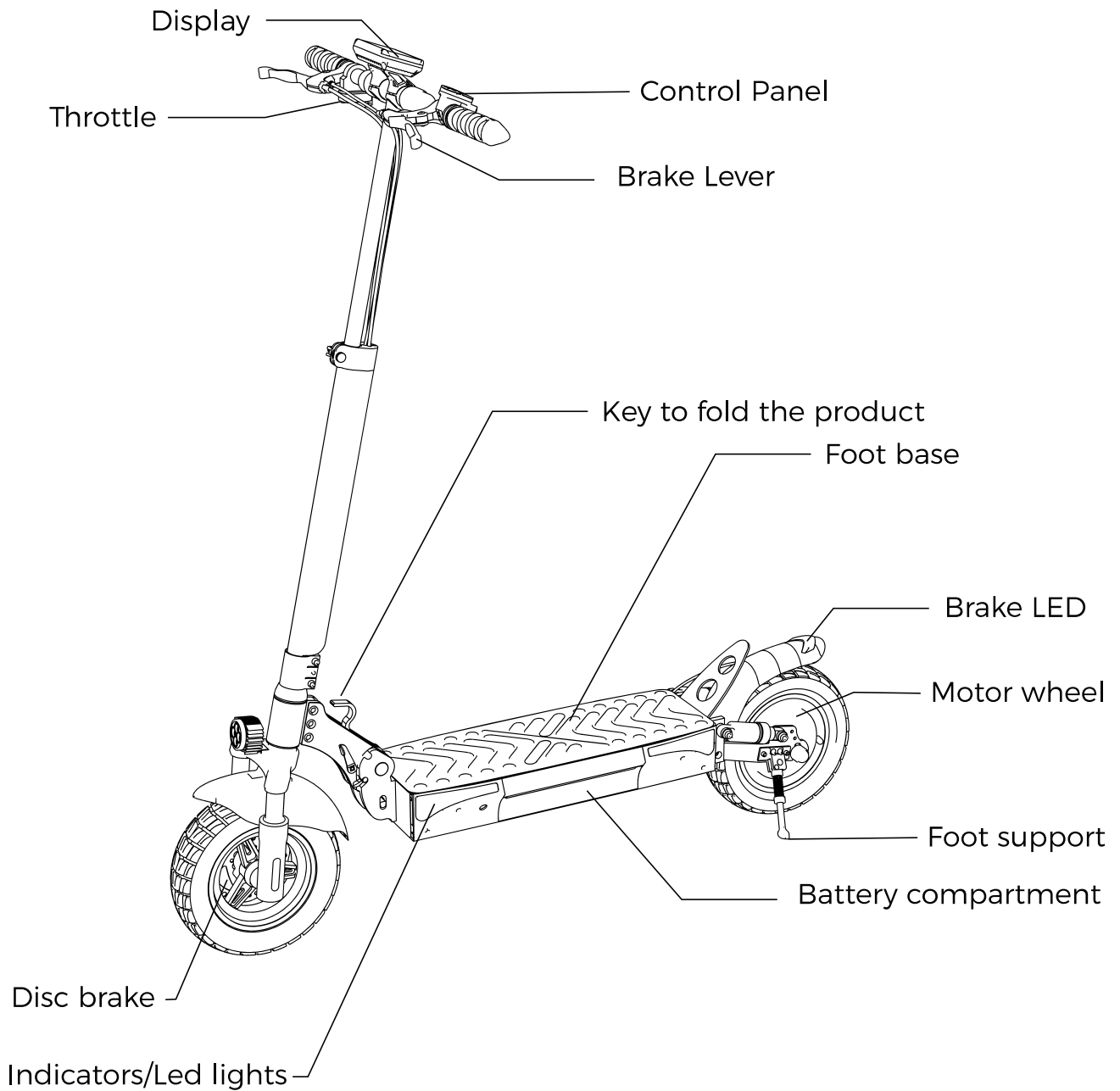
1 x Tool Kit



1 x Allen Wrench



Product Overview





Specification

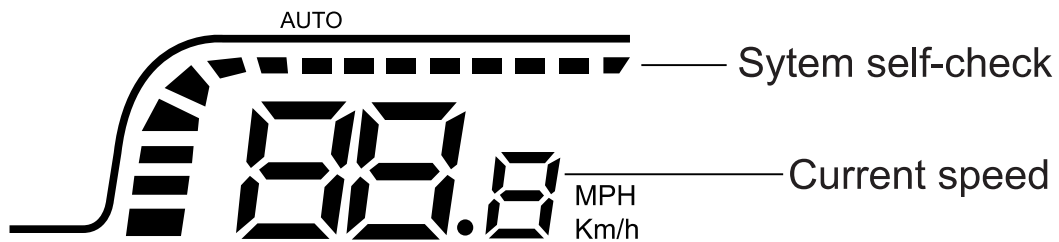
Project	Content	Parameters
Vehicle Parameters	Unfolded Dimensions	47*23*50 IN / 120*60*128cm
	Folded Dimensions	47*8*19 IN / 120*20*50cm
	Net Weight	53 LB / 24 KG
	Top Speed	25 - 28 MPH / 40-45 KM/H
	Max. Range	18.6-21.7Miles / 30-35 KM
	Hill Climbing	20% - 25% Grade
	Terrain	All-Terrain Wheels
	Operating Temperature	14 °F - 104 °F
	Storage Temperature	-4 °F - 104 °F
	Waterproof Rating	IPX4
	Charging Time	5-6 H
Battery Parameters	Rated Voltage	48V
	Capacity	12.5 Ah
Motor Parameters	Wheel Size	10 Inches
	Tire Type	Honeycomb Solid Off-Road Tyres
	Rated Voltage	48 V
	Power	800 W
	Motor Type	Brushless DC Motor
Brake	Brakes	Front and rear mechanical disc brake + electric brake
Charger	Input Voltage	100 V ~ 240 V
	Output Voltage	54.6 V
	Output Current	2 Ah
	Maximum Load	440 LB / 200 KG



Display Content



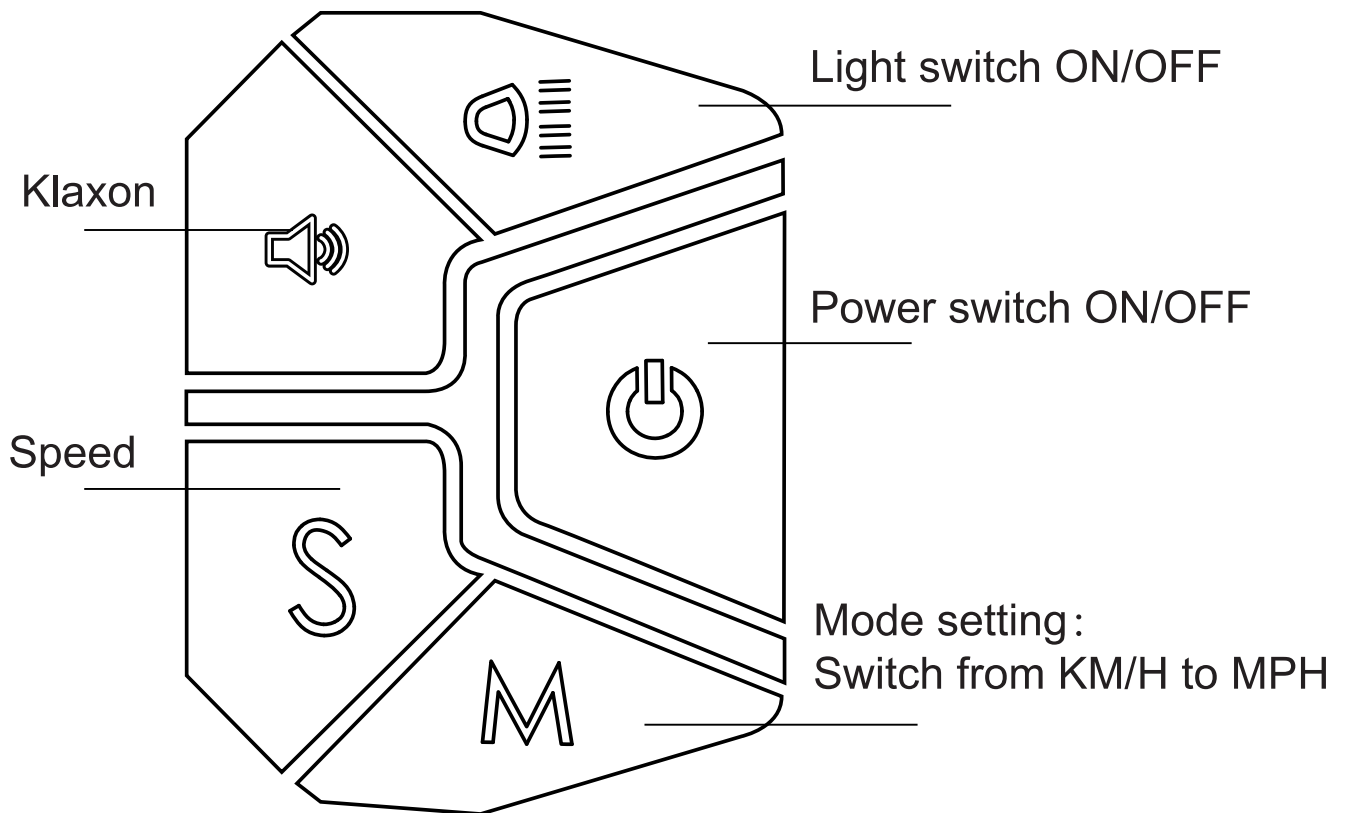
Display Content



	Battery level		Sport mode
	Single Motor Mode		Drive mode
READY	Ready to start		ECO mode
	Cruise control		Top speed
	Headlight		Single mileage
	Temperature		



Display Content



Power ON/OFF button:

Press and hold for 3S to power on / off.



Light switch:

Press the switch to turn on / off light.



Klaxon :

Press and hold the switch to alarm.



Speed

Click the speed switch button to increase speed.



Mode setting :

Switch from KM/H to MPH.