



USER MANUAL



MPD1240-XB PROFESSIONAL SPEAKER

PLEASE READ THIS USER MANUAL CAREFULLY BEFORE SYSTEM CONNECT

FCC ID: 2BBFBMPD1240-XB
MADE IN CHINA

IMPORTANT SAFETY MEASURES

Before using this machine, please read all the safety and operating instructions, meanwhile, please observe all the indications about safe operating. These safety and operating instructions should be kept in condition of consultation.



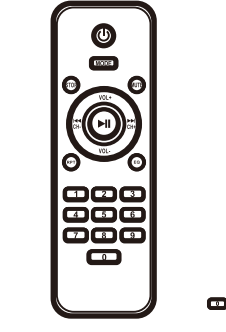
1. Protection of electric power supply line: Be aware that the electric power supply line is not tramped, pressed by heavy objects. Pay special attention to the plug of power supply line and outlet on the machine. DO NOT lengthen the electric shock. DO NOT pull or drag or the power supply line.
2. Ventilation: This set must be put in ventilated place. DO NOT put disk on it or cloth to cover it. The distance away from the wall should not be less than 10 centimeters. DO NOT put this set on the bed, sofa, carpet or other objects with similar surface in case of good ventilation.
3. Casing Dismantling: DO NOT dismantle the casing. If one touches the inner components, he will probably get serious electric shock.
4. Unusual smell: When you discover unusual smell and smoke, cut power supplies immediately and pulls out the plus from the outlet on the wall. Contact the sell shop or nearest repairing center.

Attention: This set applies to AC 110V / 50Hz-60Hz power supply. Use standard power supply. Please be sure for te correct power supply before use it.

PRODUCT FEATURES

- Wireless
- Plays songs stored in external audio device.
- Guitar input •Microphone inputs
- Wireless microphone included •With remote control
- Built-in rechargeable battery •Super dynamic sound speaker
- X-Bass is powerful

REMOTE CONTROL



- Standby
- LINE (Audio input)
- Prev/FM CH-
- Play/pause/FM tuner
- Next/FM CH+
- Repeat
- Stop
- Volume up
- Volume down
- Mute
- Equalizer
- Number

CONNECTING

1. This set applies to AC 110V, 50/60Hz
2. AC power: battery can be charged when connected to AC power. Red light on battery is charging, it will change to green once battery complete charge.
3. Internal battery will be charged even device switch off when plugged in to AC power
4. Speaker battery can be charged using 12V external car battery as well(connect cable not included) by "DC 12V input". Please make sure "+" and "-" in right connection.
5. Adjust function keys to your personal audio preference.

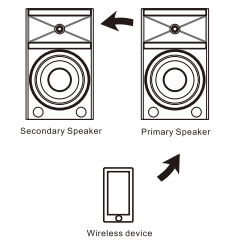
BATTERY & CHARGING

1. The units takes approximately 8 hours to fully charge. It will automatically begin charging once the power cord is connected.
2. If the battery is low may caused sound distortion or stop play, please charging the battery on time.
3. To maximize the battery's lifespan, please charging the battery immediately. When the unit is not used for prolonged periods of time,the battery will gradually lose its power. It is recommended to fully charge the battery at least every 30days.
4. To saving battery, please power off once stop using.

HOW TO CONNECT TO BT:

When you turn on the speaker, the display will read OPEN that means your speaker is ready to connect.Go to your smart device and search for your BT device. You will see the device nameMPD1240-XB and please select that. Please select MPD1240-XB and you will be connected.

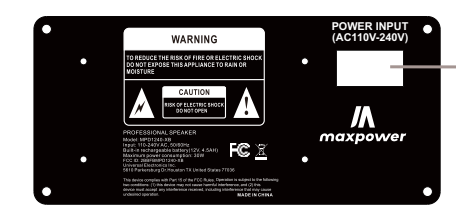
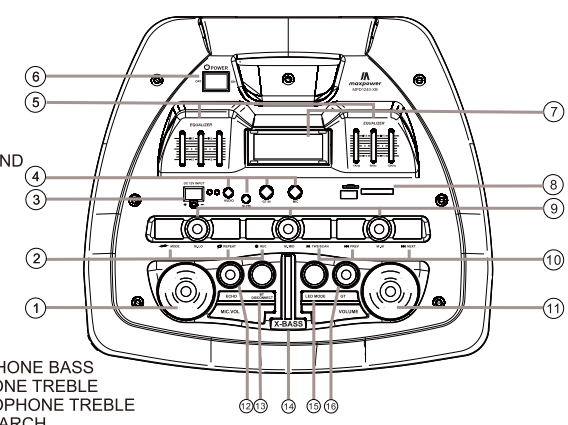
For the TWS CONNECTION -HOW TO PAIR TWO SPEAKERS



First bring two speakers next to each other, turn on both the speakers.Both the speakers display should read open.The first speaker/primary speaker, please press and hold the TWS button for 3 seconds. The primary speaker will sound an alarm and the display will show "BTST" and the second speaker automatically connect to the primary speaker. The display of secondary speaker will say BT. Now you may connect to BT from your smart device and listen to music from both your speaker.

PANEL FUNCTION INSTRUCTION

- ① MIC.VOL MICROPHONE VOLUME ADJUST
- ② MODE MODE SELECT
- REPEAT KEY
- REC. RECORDING, INSERT CARD PRESS THIS BUTTON FOR RECORDING, PRESS AGAIN TO STOP AND PLAY RECORDING SOUND
- ③ DC 12V INPUT
- ④ AUDIO INPUT
- M.PRI MICROPHONE PRIORITY ON/OFF SWITCH
- GT.IN GUITAR INPUT JACK
- MIC.IN MICROPHONE INPUT JACK
- ⑤ EQUALIZER
- ⑥ POWER ON/OFF SWITCH,RESET
- ⑦ DISPLAY SCREEN
- ⑧ CARD INPUT
- MIC.BASS VOLUME KNOB:INCREASE/DECREASE MICROPHONE BASS
- MIC.MID VOLUME KNOB:INCREASE/DECREASE MICROPHONE TREBLE
- MIC.TREBLE VOLUME KNOB:INCREASE/DECREASE MICROPHONE TREBLE
- ⑨ SCAN/TWS: PLAY/PAUSE/TWS/FM STATION AUTOMATIC SEARCH
- PREV. PREVIOUS SONG
- NEXT. NEXT SONG
- ⑩ VOLUME MASTER VOLUME ADJUST
- ⑪ ECHO KNOB
- ⑫ BT DISCONNECT
- ⑬ X-BASS: INCREASE/DECREASE X-BASS
- ⑭ LED MODE ADJUSTMENT
- ⑮ GT. VOLOUME



⑮ POWER INPUT: 110-240V,50/60Hz

This equipment has been tested and found to comply with the limits for a Class B digital device, pursuant to part 15 of the FCC Rules. These limits are designed to provide reasonable protection against harmful interference in a residential installation. This equipment generates, uses and can radiate radio frequency energy and, if not installed and used in accordance with the instructions, may cause harmful interference to radio communications. However, there is no guarantee that interference will not occur in a particular installation. If this equipment does cause harmful interference to radio or television reception, which can be determined by turning the equipment off and on, the user is encouraged to try to correct the interference by one or more of the following measures:

- Reorient or relocate the receiving antenna.
- Increase the separation between the equipment and receiver.
- Connect the equipment into an outlet on a circuit different from that to which the receiver is connected.
- Consult the dealer or an experienced radio/TV technician for help.

Caution: Any changes or modifications to this device not explicitly approved by manufacturer could void your authority to operate this equipment.

This device complies with part 15 of the FCC Rules. Operation is subject to the following two conditions: (1) This device may not cause harmful interference, and (2) this device must accept any interference received, including interference that may cause undesired operation.

RF Exposure Information
This equipment complies with FCC radiation exposure limits set forth for an uncontrolled environment. This equipment should be installedand operated with minimum distance 20cm between the radiator and your body.

210mm

148.5mm

1

148.5mm

2

148.5mm

3

148.5mm

4

148.5mm

5