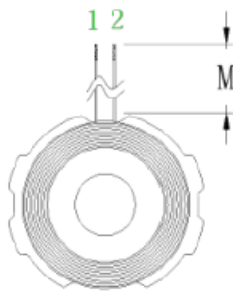
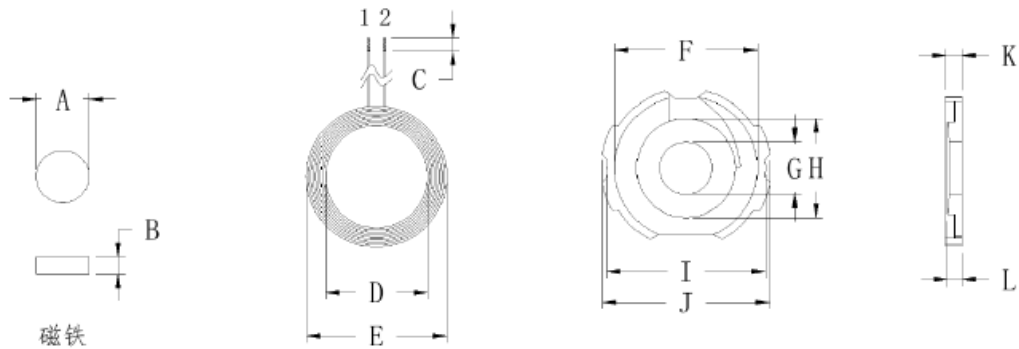


## Antenna Specifications

1. Manufacture: Dongguan Jerice Technology Co. , Ltd.
2. Model number: 25\*42\*0.08\*105P\*10TS
3. Floor plan unit: MM



A	7.65±0.05
B	2.5±0.05
C	2±1
D	14±0.2
E	20.7±0.3
F	21±0.2
G	7.7±0.5
H	13.5±0.2
I	23.5±0.2
J	25±0.3
K	2.5±0.1
L	2.25±0.1 中柱高度
M	90±1

Number of turns: 14

4. Product parameters

Antenna Gain: 0dBi

Line diameter: 0.08\*24P

