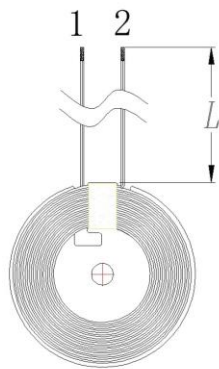
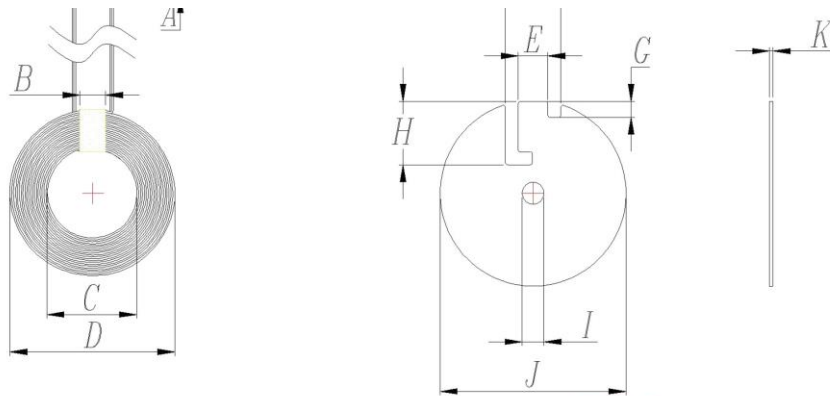


Antenna Specifications

1. Manufacture: Dongguan Jerice Technology Co. , Ltd.
2. Model number: 20.5*42*0.08*105P*10TS
3. Floor plan unit: MM



A	130±2
B	0.8±0.1
C	20.5±0.5
D	40±1
E	7±0.5
F	12±0.5
G	4.0±0.5
H	14.5±0.5
I	5.2±0.2
J	43±0.5
K	1.0±0.1
L	130±2

Number of turns: 10

4. Product parameters

Antenna Gain: 0dBi

Line diameter: 0.08*105P

