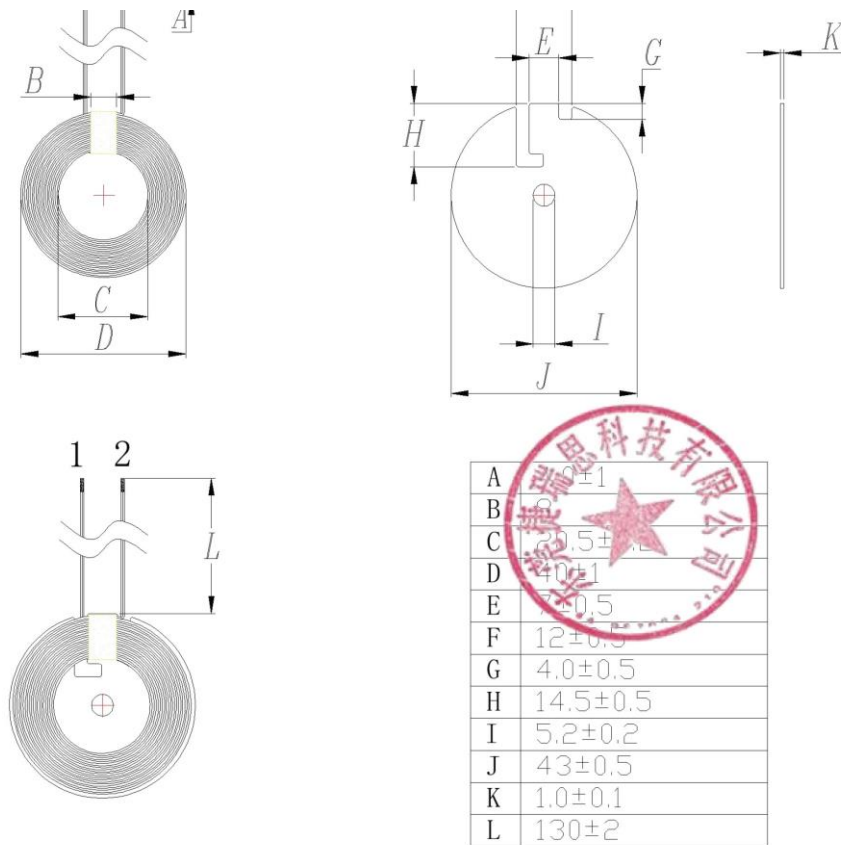


## Antenna Specifications

1. Manufacture: Dongguan Jerice Technology Co. , Ltd.
2. Model number: 20.5\*42\*0.08\*105P\*10TS
3. Floor plan unit: MM



Number of turns: 10

### 4. Product parameters

Antenna Gain: 0dBi

Line diameter: 0.08\*105P

