



TEST REPORT

Report Number. :	90022-24-72-24-PP001	
Date of issue..... :	2024-01-04	
Prepared by (+signature)..... :	Pale	<i>Pale Cai</i>
Reviewer (+signature)..... :	Duke	<i>Duke Chen</i>
Approved by (+signature) :	Jason	<i>Jason gao</i>
Testing Laboratory name :	SLG-CPC Testlaboratory Co., Ltd.	
Address..... :	No. 11, Wu Song Road, Dongcheng District, Dongguan, Guangdong Province, China 523117	
Applicant's name :	Jiangxi Kingtron Technology Co., Ltd.	
Address..... :	Luoxin Tech. Industrial Park, 2nd District, Quannan Industrial Park, Ganzhou, Jiangxi, China, 341800	
Manufacturer's name :	Jiangxi Kingtron Technology Co., Ltd.	
Address..... :	Luoxin Tech. Industrial Park, 2nd District, Quannan Industrial Park, Ganzhou, Jiangxi, China, 341800	
Factory's name :	Jiangxi Kingtron Technology Co., Ltd.	
Address..... :	Luoxin Tech. Industrial Park, 2nd District, Quannan Industrial Park, Ganzhou, Jiangxi, China, 341800	
Standard(s) :	FCC Rules and Regulations Part 15 Subpart C, Section 209	
Test item description :	3 in 1 Magnetic Wireless Charger	
Trade Mark..... :	/	
Model/Type reference :	W368	
FCC ID :	2BBEH-W368	
Date of receipt of test item..... :	2023-12-25	
Date (s) of performance of test:	2023-12-26 to 2024-01-04	
Summary of Test Results :	Pass	

The Summary of Test Results based on a technical opinion belongs to the standard(s).

General disclaimer:

This report shall not be reproduced except in full, without the written approval of SLG-CPC Testlaboratory Co., Ltd. The test results in the report only apply to the tested sample.

TABLE OF CONTENT

TABLE OF CONTENT	2
1. SUMMARY OF TEST RESULTS	4
2. GENERAL INFORMATION	5
2.1. DESCRIPTION OF DEVICE (EUT)	5
2.2. INDEPENDENT OPERATION MODES	6
2.3. DESCRIPTION OF TEST FACILITY	6
2.4. DESCRIPTION OF SUPPORT DEVICE	7
2.5. MEASUREMENT UNCERTAINTY	7
3. MEASURING DEVICE AND TEST EQUIPMENT	8
3.1. MEASUREMENT EQUIPMENT USED	8
4. 20DB BANDWIDTH	8
4.1. TEST PROCEDURE	9
4.2. TEST RESULTS	9
5. POWER LINE CONDUCTED EMISSION MEASUREMENT	11
5.1. BLOCK DIAGRAM OF TEST SETUP	11
5.2. LIMITS	11
5.3. TEST PROCEDURE	11
5.4. MEASURING RESULTS	12
6. RADIATED EMISSION TEST	13
6.1. MEASUREMENT PROCEDURE	15
6.2. TEST SET-UP (BLOCK DIAGRAM OF CONFIGURATION)	15
6.3. RADIATED EMISSION LIMIT	16
6.4. MEASUREMENT RESULT	17
7. ANTENNA APPLICATION	17
7.1. ANTENNA REQUIREMENT	21
7.2. RESULT	21

Modified Information

Report No.	Revision Data	Summary
90022-24-72-24-PP001	2024-01-04	Original Version

1. SUMMARY OF TEST RESULTS

EMISSION		
Description of Test Item	Standard & Limits	Results
Conducted Emission	FCC Part 15, Subpart C- Section 15.207 ANSI C63.10-2013	Pass
Radiated Emission	FCC Part 15, Subpart C- Section 15.209 ANSI C63.10-2013	Pass
20dB Bandwidth	FCC Part 15, Subpart C- Section 15.215 ANSI C63.10-2013	Pass
Note: N/A is an abbreviation for Not Applicable.		

2. GENERAL INFORMATION

2.1. Description of Device (EUT)

Product Name	3 in 1 Magnetic Wireless Charger
Trade Name	/
Model Name	W368
Series Model	/
Output	10W/7.5W for iPhone 3W for AirPods 2.5W for Watch
Operation frequency	110-205kHz for iPhone and AriPods 326kHz for Watch
Modulation Type	FSK
Antenna Type	Inductive Loop Antenna with 0dBi
Power Supply	Input: DC 5V 3A or 9V 3A
Hardware version number	W368-V04
Software version number	0x2708AA0A
Connecting I/O Port(s)	Please refer to the User's Manual

2.2. Independent Operation Modes

Mode:	TEST MODE DESCRIPTION
1	EUT + Wireless Output: 10W for iPhone + Wireless Output: 3W for AirPods + Wireless Output: 2.5W for Watch
2	EUT + Wireless Output: 7.5W for iPhone + Wireless Output: 3W for AirPods + Wireless Output: 2.5W for Watch
3	EUT + Wireless Output: 10W for iPhone + Wireless Output: 3W for AirPods
4	EUT + Wireless Output: 10W for iPhone + Wireless Output: 2.5W for Watch
5	EUT + Wireless Output: 7.5W for iPhone + Wireless Output: 3W for AirPods
6	EUT + Wireless Output: 7.5W for iPhone + Wireless Output: 2.5W for Watch
7	EUT + Wireless Output: 3W for AirPods + Wireless Output: 2.5W for Watch
8	EUT + Wireless Output: 10W for iPhone
9	EUT + Wireless Output: 7.5W for iPhone
10	EUT + Wireless Output: 3W for AirPods
11	EUT + Wireless Output: 2.5W for Watch
Note: 1. All test modes were pre - tested, but we only recorded the worst case in this report. The worst case is Mode 1 2. All voltage inputs have been tested, with only the worst voltage recorded. 3. Product folding has been evaluated for use.	

2.3. Description of Test Facility

Site Description

EMC Lab. : Accredited by ISED, October 31 2023
 CAB identifier: CN0126
 Company Number: 27767

Accredited by A2LA, October 31 2023
 The Certificate Registration Number is 6325.01

Accredited by FCC
 Designation Number: CN1287
 Test Firm Registration Number: 394054

Name of Firm : SLG-CPC Testlaboratory Co., Ltd.
 Site Location : No. 11, Wu Song Road, Dongcheng District, Dongguan, Guangdong Province, China 523117

Description of Support Device

No.	Equipment	Trade name	Model	S/N	Power Cord
1.	Cellphone	Apple	IPhone12pro max		
2	Power adapter	/	W126		
3	Watch	Apple	S8		
4	Earbuds	Apple	A2190		

2.4. Measurement Uncertainty

Test Item	Uncertainty
Occupied Channel Bandwidth	: $\pm 2.3\%$
Conducted Emission Uncertainty	: 3.08dB
Radiated Emission Uncertainty (3m Chamber)	: $\pm 3.46\text{dB}$ (Below 30MHz)
	$\pm 4.60\text{dB}$ (Below 1GHz)
	$\pm 4.48\text{dB}$ (Above 1GHz)

3. MEASURING DEVICE AND TEST EQUIPMENT

3.1. MEASUREMENT EQUIPMENT USED

Equipment	Manufacturer	Model	S/N	Last Cal.	DUE Cal.
RF Connected Test					
Vector Signal Generator	Rohde & Schwarz	SMBV100B(6G)	101166	2023/06/04	1 year
Analog Signal Generator	Rohde & Schwarz	SMB100A(40G)	181333	2023/08/04	1 year
Signal Analyzer	Rohde & Schwarz	FSV40	101527	2023/03/29	1 year
Power Analyzer	Rohde & Schwarz	OSP-B157W8	N/A	2023/06/02	1 year
Wideband Radio Communication Tester	R&S	CMW270	101985	2023/06/16	1 year
Wideband Radio Communication Tester	Rohde & Schwarz	CMW500	166898	2023/06/16	1 year
Temperature&Humidity test chamber	ESPEC	VC 4018	/	2023/03/29	1 year
Radiated Emission Test					
EMI Test Receiver	KEYSIGHT	N9010A	MY56070465	2023/12/05	1 year
EMI Test Receiver	Rohde & Schwarz	FSV40	101511	2023/03/29	1 year
Bilog Antenna	Schwarzbeck	VULB 9163	01335	2023/04/21	3 year
Broadband Antenna	Schwarzbeck	9162	139	2022/03/22	3 year
Power Amplifier	EMEC	EM330	060676	2022/12/07	3 year
Cable	Tuyue	F4309	L-400-NmNm-12000	2022/12/07	2 year
Horn Antenna	Schwarzbeck	BBHA9120D	1779	2022/04/21	3 year
Horn Antenna	Schwarzbeck	BBHA9170	00954	2022/09/13	3 year
Power Amplifier	Rohde & Schwarz	SCU-18F	180118	2022/04/21	3 year
Power Amplifier	Rohde & Schwarz	SCU40A	100499	2023/06/21	3 year
Active Loop Antenna	ETS LINDGREN	6512	41623	2022/04/23	3 year
Test Software	Farad	EZ-EMC	Ver.CPC-3A1	/	/
Conducted Emission Test					
LISN	Schwarzbeck	NSLK 8127	8127-892	2023/03/21	1 year
LISN	Schwarzbeck	NSLK 8127	8127-437	2023/07/07	1 year
EMI Test Receiver	R&S	ESR3	102124	2023/12/05	1 year
Triple loop	R&S	HM020	834206/006	2022/12/07	2 year
Pulse Limiter	R&S	ESH3-Z2	357.8810.52	2023/12/05	1 year
Test Software	Farad	EZ-EMC	Ver.CPC-3A1	/	/

4. 20DB BANDWIDTH

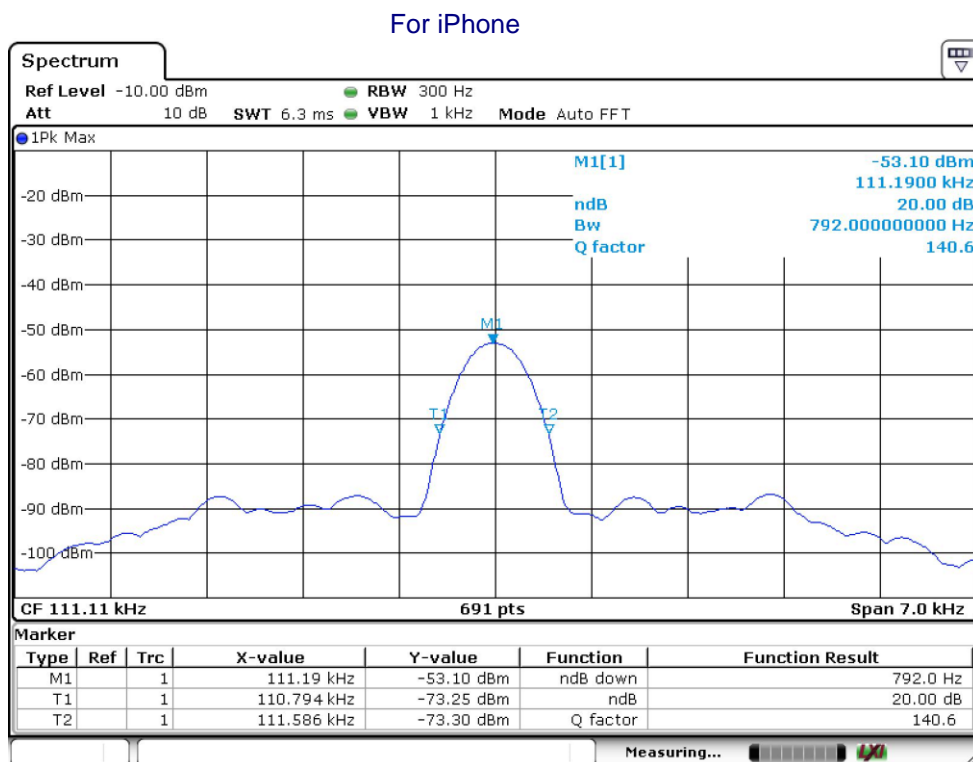
4.1. Test Procedure

Set to the maximum power setting and enable the EUT transmit continuously
 Set RBW = 300Hz.
 Set the video bandwidth (VBW) =1kHz.
 Set Span= 7kHz
 Set Detector = Peak.
 Set Trace mode = max hold.
 Set Sweep = auto couple.
 Measure and record the results in the test report.

4.2. Test Results

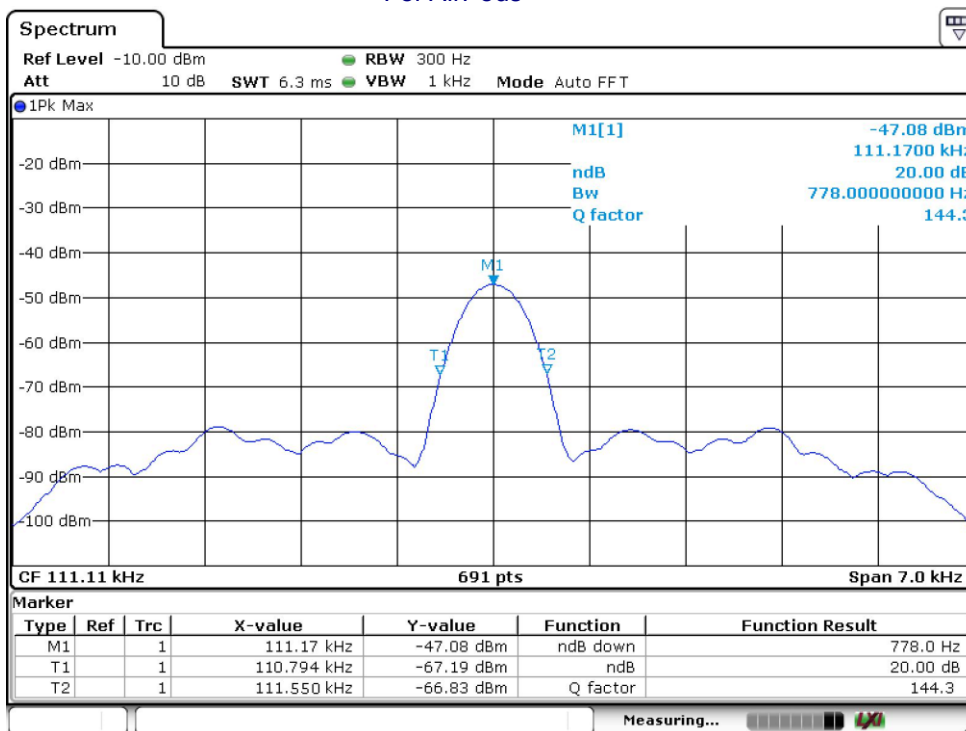
Temperature: 24°C Test Date: 2024-01-02
 Humidity: 53 % Test By: Pale

Frequency 110-205kHz 20dB Band=792Hz



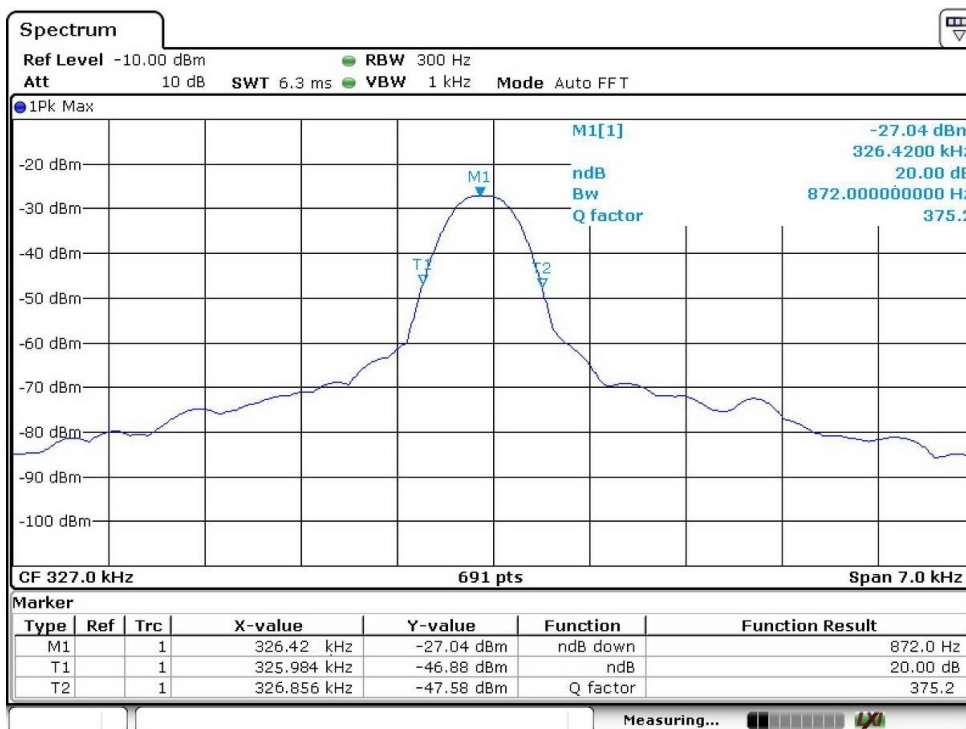
Frequency 110-205kHz 20dB Band=778Hz

For AirPods



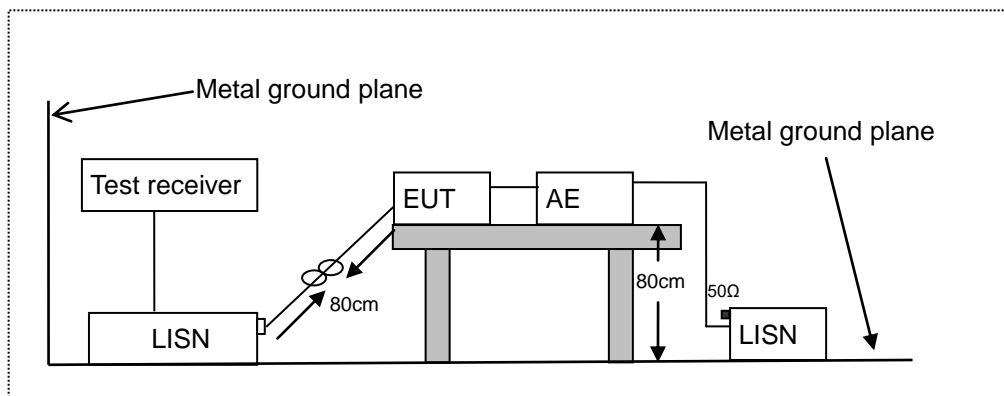
Frequency 326kHz 20dB Band=872Hz

For Watch



5. POWER LINE CONDUCTED EMISSION MEASUREMENT

5.1. Block Diagram of Test Setup



LISN: Line Impedance Stabilization Network
 AE: Associated equipment
 EUT: Equipment under test

5.2. Limits

FCC Part 15.207

Frequency (MHz)	Limit (dB μ V)	
	Quasi-peak Level	Average Level
0.15 ~ 0.50	66.0 ~ 56.0 *	56.0 ~ 46.0 *
0.50 ~ 5.00	56.0	46.0
5.00 ~ 30.00	60.0	50.0

NOTE1-The lower limit shall apply at the transition frequencies.
 NOTE2-The limit decreases linearly with the logarithm of the frequency in the range 0.15MHz to 0.50MHz.

5.3. Test Procedure

The EUT was placed on a desk 0.8 m height from the metal ground plane and 0.4 m from the conducting wall of the shielding room and it was kept at least 0.8 m from any other grounded conducting surface. The size of the table will nominally be 1.5 m x1.0 m.

The rear of the arrangement shall be flush with the back of the supporting tabletop unless that would not be possible or typical of normal use.

All units of equipment forming the system under test (includes the EUT as well as connected peripherals and associated equipment or devices) shall be arranged such that a nominal 0.1 m separation is achieved between the neighboring units.

Connect EUT to the power mains through a line impedance stabilization network (LISN). Where the mains cable supplied by the manufacturer is longer than 1 m, the excess should be folded at the centre into a bundle no longer than 0.4 m, so that its length is shortened to 1 m.

All the support units are connecting to the other LISN.

The LISN provides 50 ohm coupling impedance for the measuring instrument.

Both sides of AC line were checked for maximum conducted interference.

The frequency range from 150 kHz to 30 MHz was sweep.

Set the test-receiver system to quasi peak detect function and average detect function, and to measure the conducted emissions values.

Test results were obtained from the following equation:

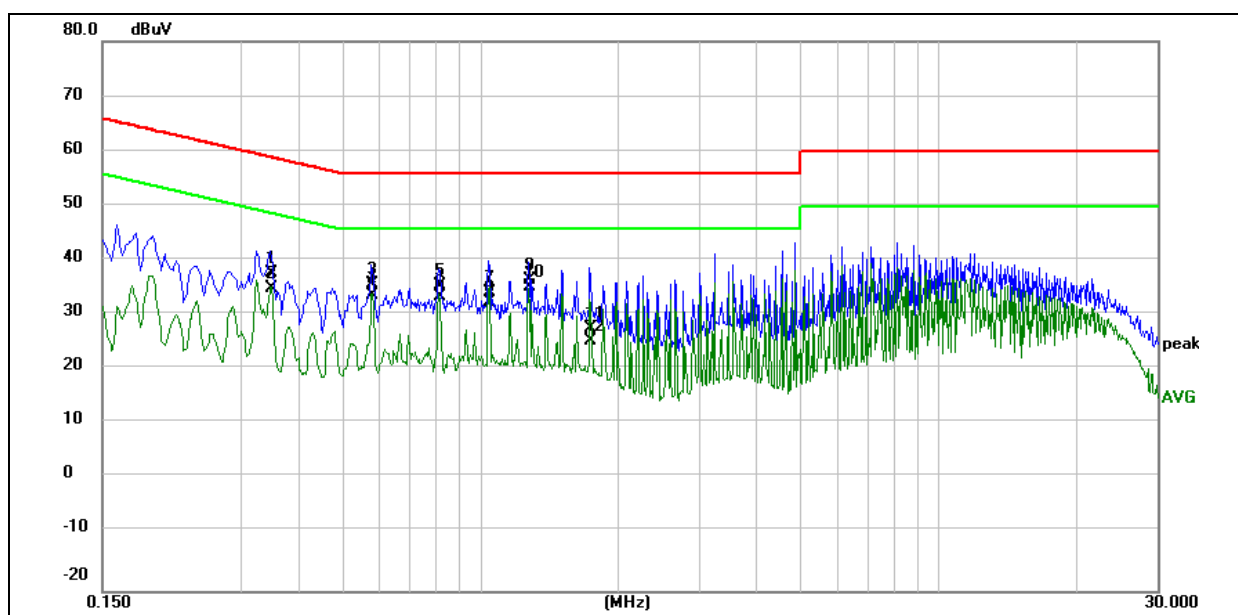
Emission Level (dB μ V) = LISN Factor (dB) + Cable Loss (dB) + Reading (dB μ V)

Margin (dB) = Emission Level (dB μ V) - Limit (dB μ V)

5.4. Measuring Results

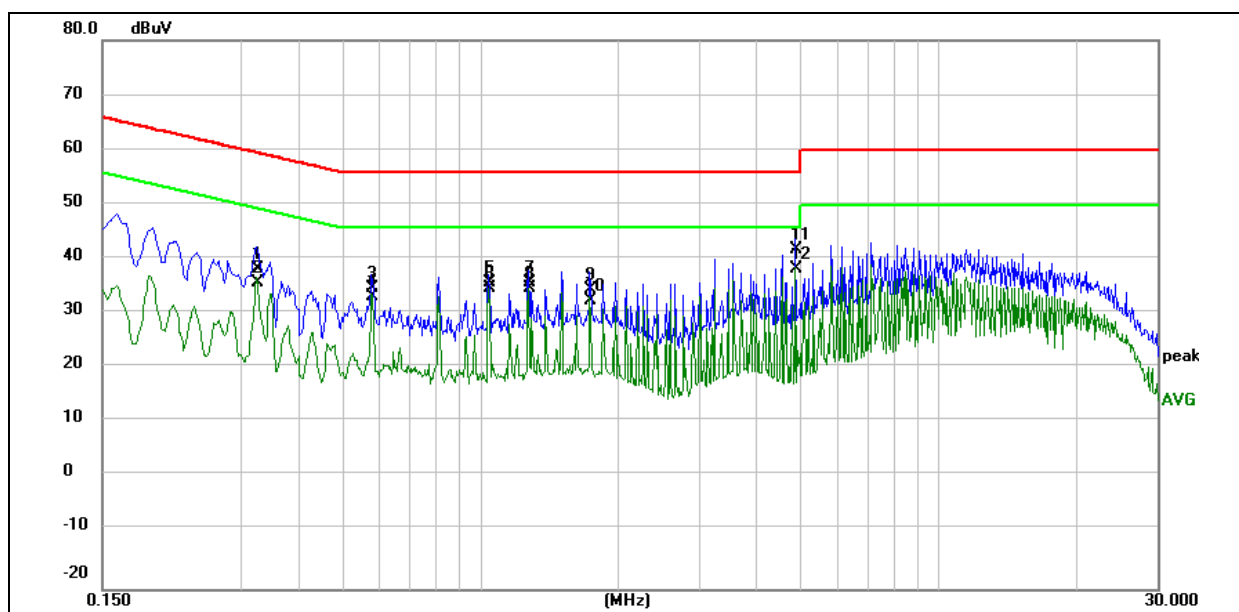
PASS.

Model No.:	W368
Phase:	L1
Test Power :	AC 120V/60Hz
Standard:	FCC Part15C Conduction(QP)
Operating Mode :	Mode 1
Temperature:	24°C
Humidity:	53 %



No.	Frequency (MHz)	Reading Level (dBuV)	Correct Factor (dB/m)	Emission Level (dBuV/m)	Limit (dBuV/m)	Margin (dB)	Detector	Comment
1	0.3500	16.15	21.88	38.03	58.96	-20.93	QP	
2	0.3500	13.20	21.88	35.08	48.96	-13.88	AVG	
3	0.5820	13.99	21.89	35.88	56.00	-20.12	QP	
4	0.5820	12.00	21.89	33.89	46.00	-12.11	AVG	
5	0.8139	13.69	21.88	35.57	56.00	-20.43	QP	
6	0.8139	11.70	21.88	33.58	46.00	-12.42	AVG	
7	1.0460	12.48	21.83	34.31	56.00	-21.69	QP	
8	1.0460	10.86	21.83	32.69	46.00	-13.31	AVG	
9	1.2820	15.03	21.60	36.63	56.00	-19.37	QP	
10	1.2820	13.71	21.60	35.31	46.00	-10.69	AVG	
11	1.7420	6.70	21.14	27.84	56.00	-28.16	QP	
12	1.7420	4.39	21.14	25.53	46.00	-20.47	AVG	

Model No.:	W368
Phase:	N
Test Power :	AC 120V/60Hz
Standard:	FCC Part15C Conduction(QP)
Operating Mode :	Mode 1
Temperature:	24℃
Humidity:	53 %



No.	Frequency (MHz)	Reading Level (dBuV)	Correct Factor (dB/m)	Emission Level (dBuV/m)	Limit (dBuV/m)	Margin (dB)	Detector	Comment
1	0.3260	16.65	21.88	38.53	59.55	-21.02	QP	
2	0.3260	14.09	21.88	35.97	49.55	-13.58	AVG	
3	0.5820	12.99	21.89	34.88	56.00	-21.12	QP	
4	0.5820	11.54	21.89	33.43	46.00	-12.57	AVG	
5	1.0460	14.03	21.83	35.86	56.00	-20.14	QP	
6	1.0460	13.09	21.83	34.92	46.00	-11.08	AVG	
7	1.2780	14.23	21.60	35.83	56.00	-20.17	QP	
8	1.2780	13.24	21.60	34.84	46.00	-11.16	AVG	
9	1.7420	13.58	21.14	34.72	56.00	-21.28	QP	
10	1.7420	11.46	21.14	32.60	46.00	-13.40	AVG	
11	4.8780	21.92	19.99	41.91	56.00	-14.09	QP	
12	4.8780	18.42	19.99	38.41	46.00	-7.59	AVG	

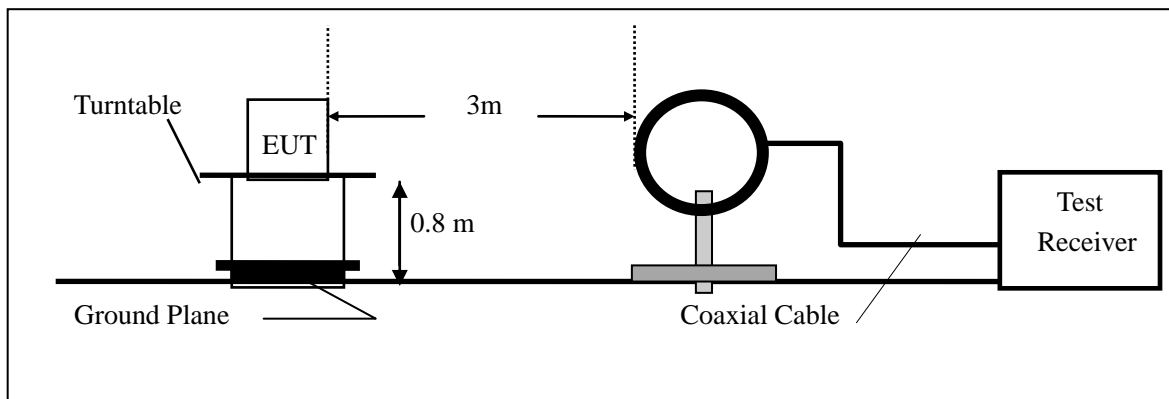
6. RADIATED EMISSION TEST

6.1. Measurement Procedure

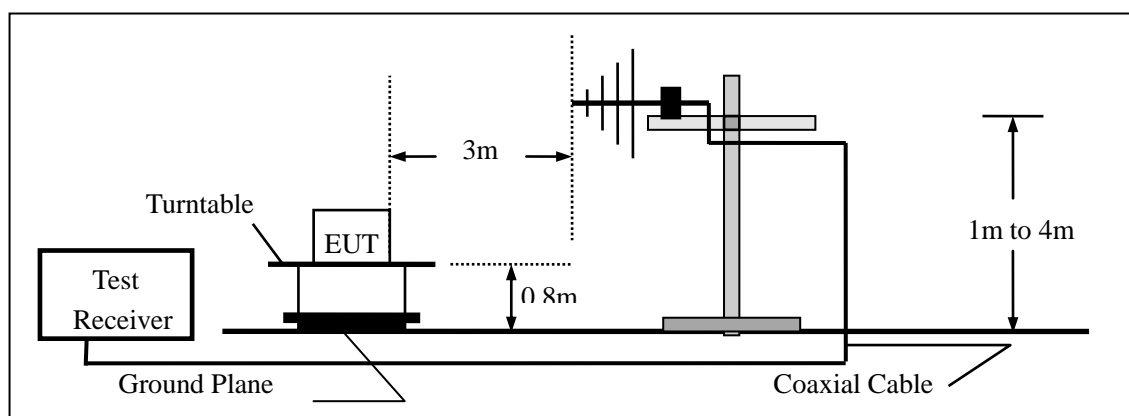
1. The EUT was placed on a turntable which is 0.8m above ground plane.
2. Maximum procedure was performed on the six highest emissions to ensure EUT compliance.
3. And also, each emission was to be maximized by changing the polarization of receiving antenna both horizontal and vertical.
4. Repeat above procedures until all frequency measured were complete.
5. Use the following receiver/spectrum analyzer settings:
 Span = wide enough to fully capture the emission being measured
 RBW=200Hz for 9KHz to 150KHz,
 RBW=9kHz for 150KHz to 30MHz,
 RBW=120KHz for 30MHz to 1GHz
 VBW $\geq 3 \times$ RBW
 Sweep = auto
 Detector function = QP
 Trace = max hold

6.2. Test SET-UP (Block Diagram of Configuration)

(A) Radiated Emission Test Set-Up, Frequency Below 30MHz



(B) Radiated Emission Test Set-Up, Frequency Below 1000MHz



6.3. Radiated Emission Limit

The emissions from an intentional radiator shall not exceed the field strength levels specified in the following table 15.209(a):

FCC Part 15.209				
Frequency (MHz)	Field Strength Limitation		Field Strength Limitation Frequency tion at 3m Measurement Dist	
	(uV/m)	Dist	(uV/m)	(dBuV/m)
0.009 – 0.490	2400 / F(KHz)	300m	10000 * 2400/F(KHz)	20log 2400/F(KHz) + 80
0.490 – 1.705	24000 / F(KHz)	30m	100 * 24000/F(KHz)	20log 24000/F(KHz) + 40
1.705 – 30.00	30	30m	100* 30	20log 30 + 40
30.0 – 88.0	100	3m	100	20log 100
88.0 – 216.0	150	3m	150	20log 150
216.0 – 960.0	200	3m	200	20log 200
Above 960.0	500	3m	500	20log 500

15.205 Restricted bands of operation

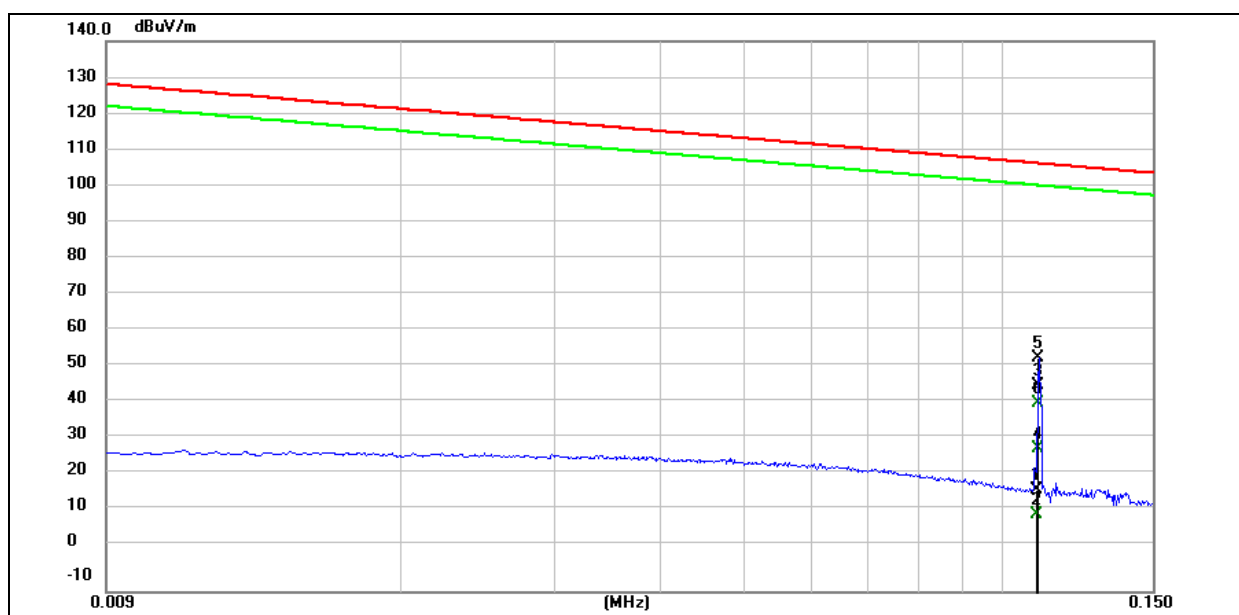
MHz	MHz	MHz	GHz
0.090 - 0.110	16.42 - 16.423	399.9 - 410	4.5 - 5.15
¹ 0.495 - 0.505	16.69475 - 16.69525	608 - 614	5.35 - 5.46
2.1735 - 2.1905	16.80425 - 16.80475	960 - 1240	7.25 - 7.75
4.125 - 4.128	25.5 - 25.67	1300 - 1427	8.025 - 8.5
4.17725 - 4.17775	37.5 - 38.25	1435 - 1626.5	9.0 - 9.2
4.20725 - 4.20775	73 - 74.6	1645.5 - 1646.5	9.3 - 9.5
6.215 - 6.218	74.8 - 75.2	1660 - 1710	10.6 - 12.7
6.26775 - 6.26825	108 - 121.94	1718.8 - 1722.2	13.25 - 13.4
6.31175 - 6.31225	123 - 138	2200 - 2300	14.47 - 14.5
8.291 - 8.294	149.9 - 150.05	2310 - 2390	15.35 - 16.2
8.362 - 8.366	156.52475 - 156.52525	2483.5 - 2500	17.7 - 21.4
8.37625 - 8.38675	156.7 - 156.9	2690 - 2900	22.01 - 23.12
8.41425 - 8.41475	162.0125 - 167.17	3260 - 3267	23.6 - 24.0
12.29 - 12.293	167.72 - 173.2	3332 - 3339	31.2 - 31.8
12.51975 - 12.52025	240 - 285	3345.8 - 3358	36.43 - 36.5
12.57675 - 12.57725	322 - 335.4	3600 - 4400	(∞)

- Remark:
1. Emission level in dBuV/m=20 log (uV/m)
 2. Measurement was performed at an antenna to the closed point of EUT distance of meters.
 3. Only spurious frequency is permitted to locate within the Restricted Bands specified in provision of ξ 15.205, and the emissions located in restricted bands also comply with 15.209 limit.

6.4.Measurement Result

9kHz-150kHz:

Model No.:	W368
Phase:	Vertical
Test Power :	AC 120V/60Hz
Standard:	FCC Part15.209 9k-30M
Operating Mode :	Mode 1
Temperature:	24°C
Humidity:	53%



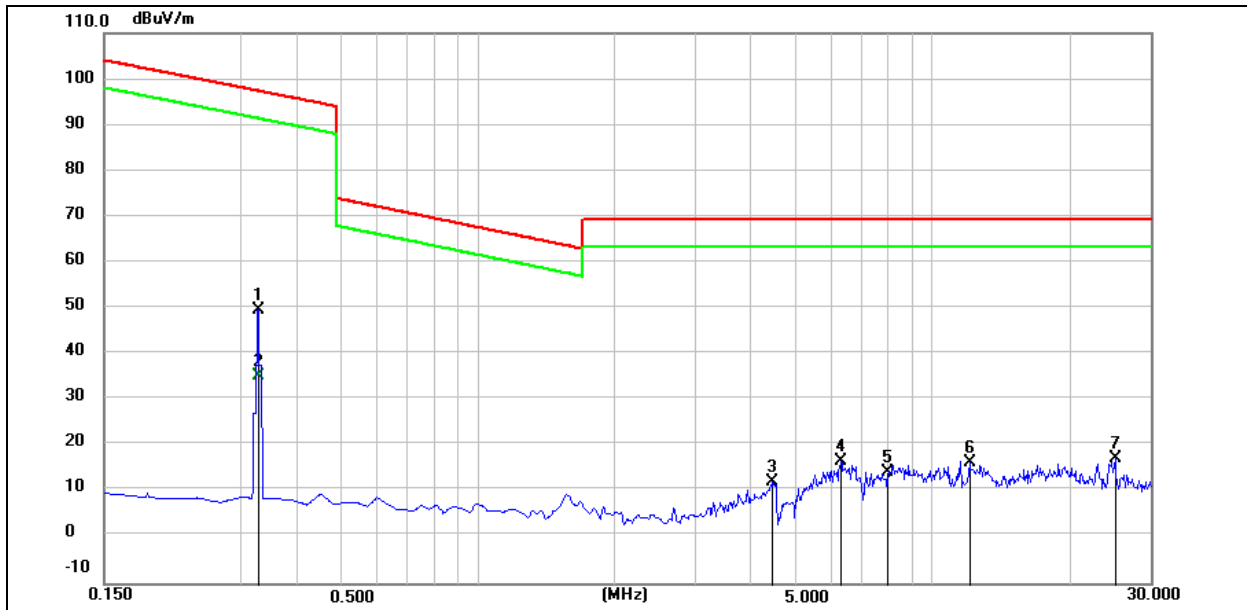
No.	Frequency (MHz)	Reading Level (dBuV)	Correct Factor (dB/m)	Emission Level (dBuV/m)	Limit (dBuV/m)	Margin (dB)	Remark			
1	0.110461	68.96	-22.76	46.20	106.73	-60.53	peak			
2	0.110461	51.87	-22.76	29.11	106.73	-77.62	AVG			
3	0.110654	76.64	-22.76	53.88	106.72	-52.84	peak			
4	0.110654	64.21	-22.76	41.45	106.72	-65.27	AVG			

Restricted band edge

Frequency (Khz)	Reading Level (dBuV/m)	Factor (dB/m)	Emission level (dBuV/m)	Limit (dBuV/m)	Detector Type	Result
0.110000	40.84	-22.76	18.08	106.77	PK	PASS
0.110000	33.2	-22.76	10.44	106.77	AV	PASS

150kHz-30MHz:

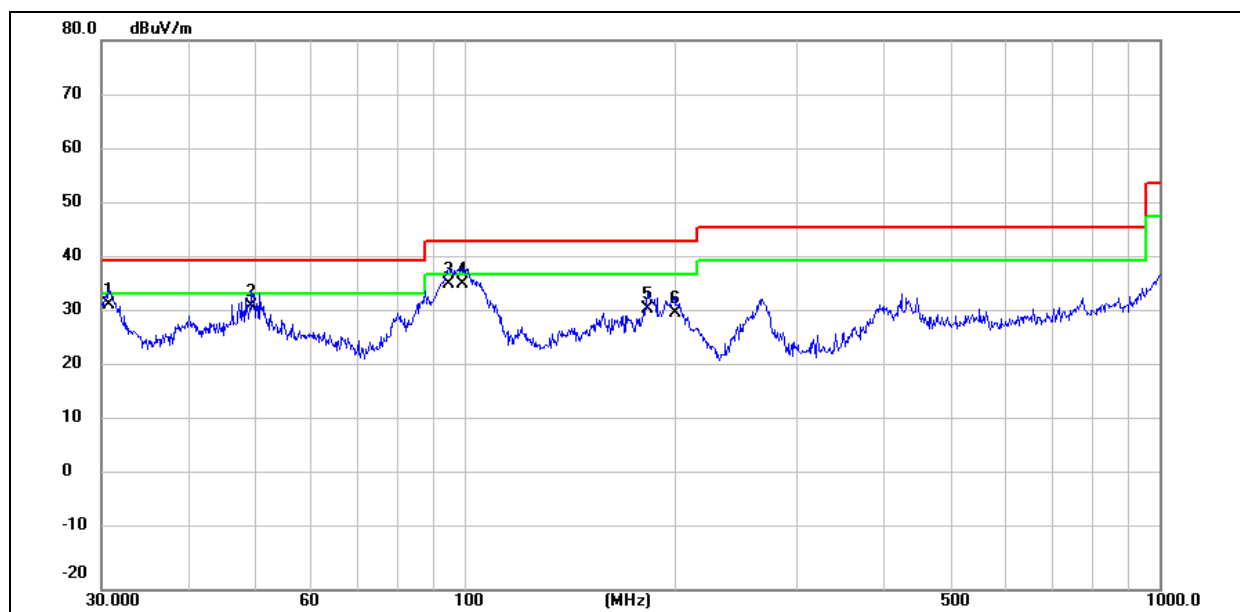
Model No.:	W368
Phase:	Vertical
Test Power :	AC 120V/60Hz
Standard:	FCC Part15.209 9k-30M
Operating Mode :	Mode 1
Temperature:	24°C
Humidity:	53%



No.	Frequency (MHz)	Reading Level (dBuV)	Correct Factor (dB/m)	Emission Level (dBuV/m)	Limit (dBuV/m)	Margin (dB)	Remark			
1	0.326600	72.38	-22.68	49.70	97.46	-47.76	peak			
2	0.326600	58.12	-22.68	35.44	97.46	-62.02	AVG			
3	4.448400	34.43	-22.15	12.28	69.50	-57.22	peak			
4	6.269000	38.56	-21.79	16.77	69.50	-52.73	peak			
5	8.000400	35.86	-21.53	14.33	69.50	-55.17	peak			
6	12.030300	37.19	-20.82	16.37	69.50	-53.13	peak			
7	25.104600	37.03	-19.72	17.31	69.50	-52.19	peak			

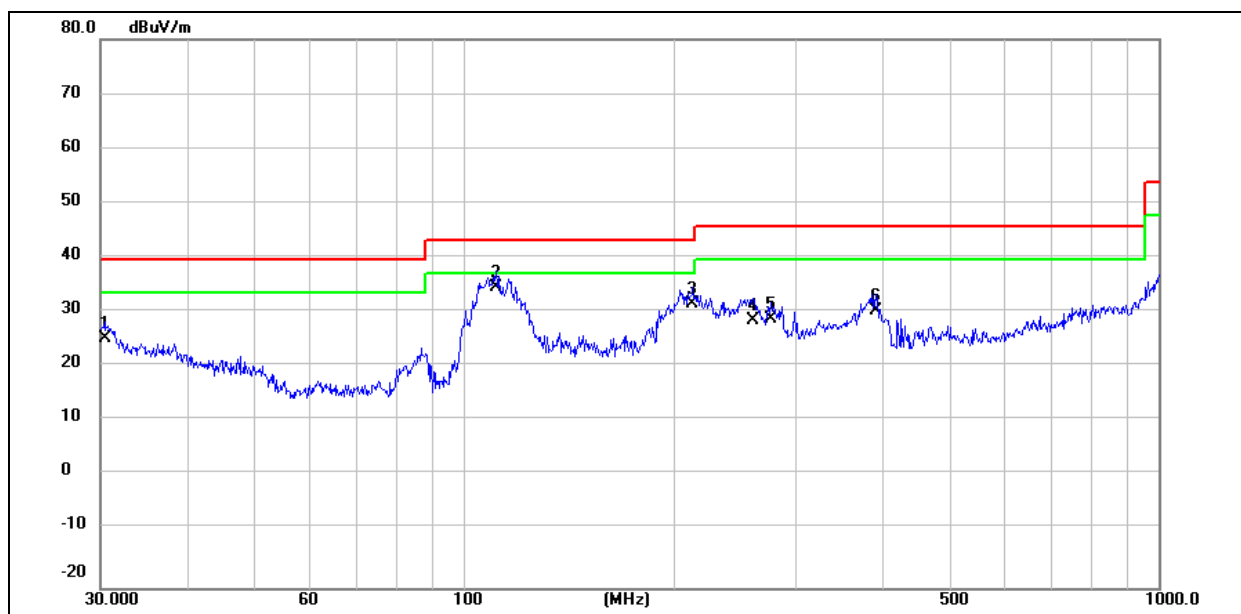
30MHz-1GHz:

Model No.:	W368
Phase:	Vertical
Test Power :	AC 120V/60Hz
Standard:	FCC Part15C Radiation(QP)
Operating Mode :	Mode 1
Temperature:	22℃
Humidity:	53%



No.	Frequency (MHz)	Reading Level (dBuV)	Correct Factor (dB/m)	Emission Level (dBuV/m)	Limit (dBuV/m)	Margin (dB)	Remark			
1	30.7454	29.26	2.57	31.83	40.00	-8.17	QP			
2	49.3594	37.28	-5.59	31.69	40.00	-8.31	QP			
3	94.7600	42.67	-6.93	35.74	43.50	-7.76	QP			
4	99.5279	40.70	-4.97	35.73	43.50	-7.77	QP			
5	183.2005	38.13	-6.99	31.14	43.50	-12.36	QP			
6	200.6879	37.44	-7.04	30.40	43.50	-13.10	QP			

Model No.:	W368
Phase:	Horizontal
Test Power :	AC 120V/60Hz
Standard:	FCC Part15C Radiation(QP)
Operating Mode :	Mode 1
Temperature:	22°C
Humidity:	53%



No.	Frequency (MHz)	Reading Level (dBuV)	Correct Factor (dB/m)	Emission Level (dBuV/m)	Limit (dBuV/m)	Margin (dB)	Remark			
1	30.4237	22.78	2.92	25.70	40.00	-14.30	QP			
2	111.3468	38.94	-4.05	34.89	43.50	-8.61	QP			
3	213.7632	38.74	-6.77	31.97	43.50	-11.53	QP			
4	261.0581	31.10	-2.32	28.78	46.00	-17.22	QP			
5	277.0935	32.13	-2.89	29.24	46.00	-16.76	QP			
6	392.0950	31.79	-1.20	30.59	46.00	-15.41	QP			

7. ANTENNA APPLICATION

7.1. Antenna Requirement

Standard	Requirement
FCC CRF Part 15.203	<p>An intentional radiator shall be designed to ensure that no antenna other than that furnished by the responsible party shall be used with the device. The use of a permanently attached antenna or of an antenna that uses a unique coupling to the intentional radiator shall be considered sufficient to comply with the provisions of this section. The manufacturer may design the unit so that a broken antenna can be replaced by the user, but the use of a standard antenna jack or electrical connector is prohibited. This requirement does not apply to carrier current devices or to devices operated under the provisions of §15.211, §15.213, §15.217, §15.219, or §15.221. Further, this requirement does not apply to intentional radiators that must be professionally installed, such as perimeter protection systems and some field disturbance sensors, or to other intentional radiators which, in accordance with §15.31(d), must be measured at the installation site. However, the installer shall be responsible for ensuring that the proper antenna is employed so that the limits in this part are not exceeded.</p>

For intentional device, according to FCC 47 CFR Section 15.203, an intentional radiator shall be designed to ensure that no antenna other than that furnished by the responsible party shall be used with the device.

7.2. Result

PASS.

The EUT has 3 antennas: an Inductive Loop Antenna, antenna has a gain of 0 dBi;

- Note:
- Antenna use a permanently attached antenna which is not replaceable.
 - Not using a standard antenna jack or electrical connector for antenna replacement
 - The antenna has to be professionally installed (please provide method of installation)

which in accordance to section 15.203, please refer to the internal photos.

-----The end-----

声明 Statement

1. 本报告无授权批准人签字无效;
This report will be void without authorized signature for testing report.
2. 未经许可本报告不得部分复制;
This report shall not be copied partly without authorization.
3. 本报告的检测结果仅对送测样品有效, 委托方对样品的代表性和资料的真实性负责;
The test results or observations are applicable only to tested sample. Client shall be responsible for representativeness of the sample and authenticity of the material.
4. 本检测报告中检测项目标注有特殊符号则该项目不在资质认定范围内, 仅作为客户委托、科研、教学或内部质量控制等目的使用;
The observations or tests with special mark fall outside the scope of accreditation, and are only used for purpose of commission, research, training, internal quality control etc.
5. 本检测报告以实测值进行符合性判定, 未考虑不确定度所带来的风险, 本实验室不承担相关责任, 特别约定、标准或规范中有明确规定的除外;
The test results or observations are provided in accordance with measured value, without taking risks caused by uncertainty into account. Without explicit stipulation in special agreements, standards or regulations, SLG-CPC shall not assume any responsibility.
6. 对本检测报告若有异议, 请于收到报告之日起 20 日内提出;
Objections shall be raised within 20 days from the date receiving the report.