

Antenna Specifications

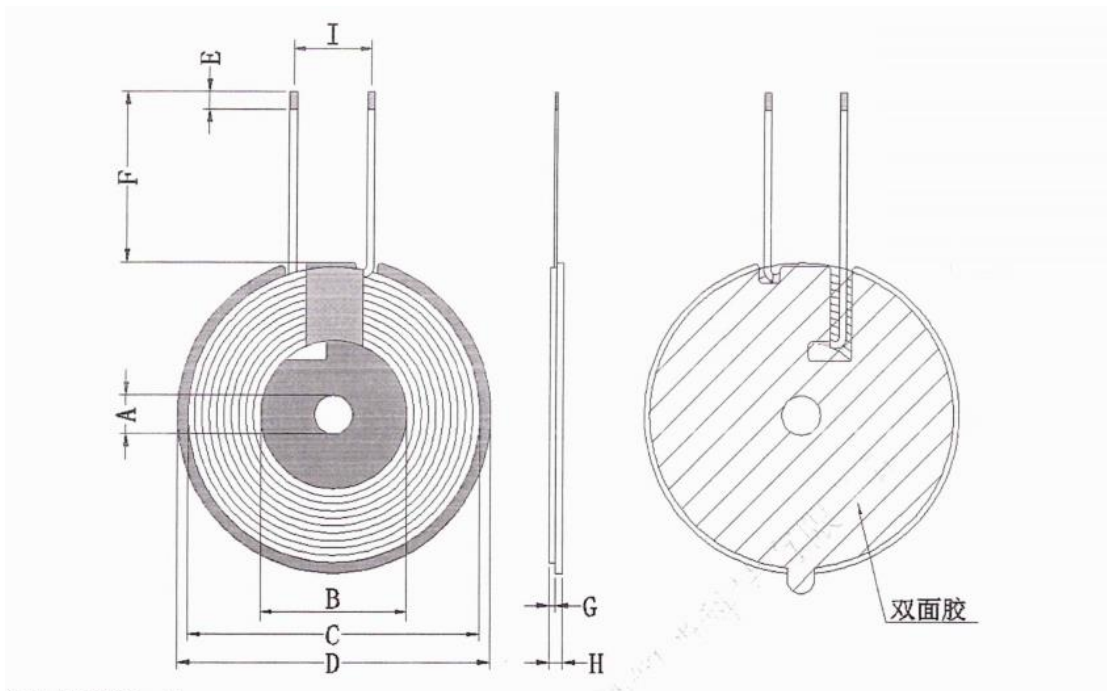
1. Manufacture:

DONGGUAN KIMCHEN INDUSTRY INTL LIMITED

152 Wanchang Road Section, Taigongling Village, Dalingshan Town, Dongguan City

2. Model number: 20.5*40*0.08*105P*10TS*72mm

3. Floor plan: unit: MM



A	B	C	D	E	F	G	H	I
5.3±0.5	20.5±0.5	40±1.5	44MAX	3±1	72±2	1.2±0.05	2.5MAX	10±2

4. Product parameters

Antenna Gain: 0dBi

Line diameter: 0.08x105P

Number of turns: 10

