



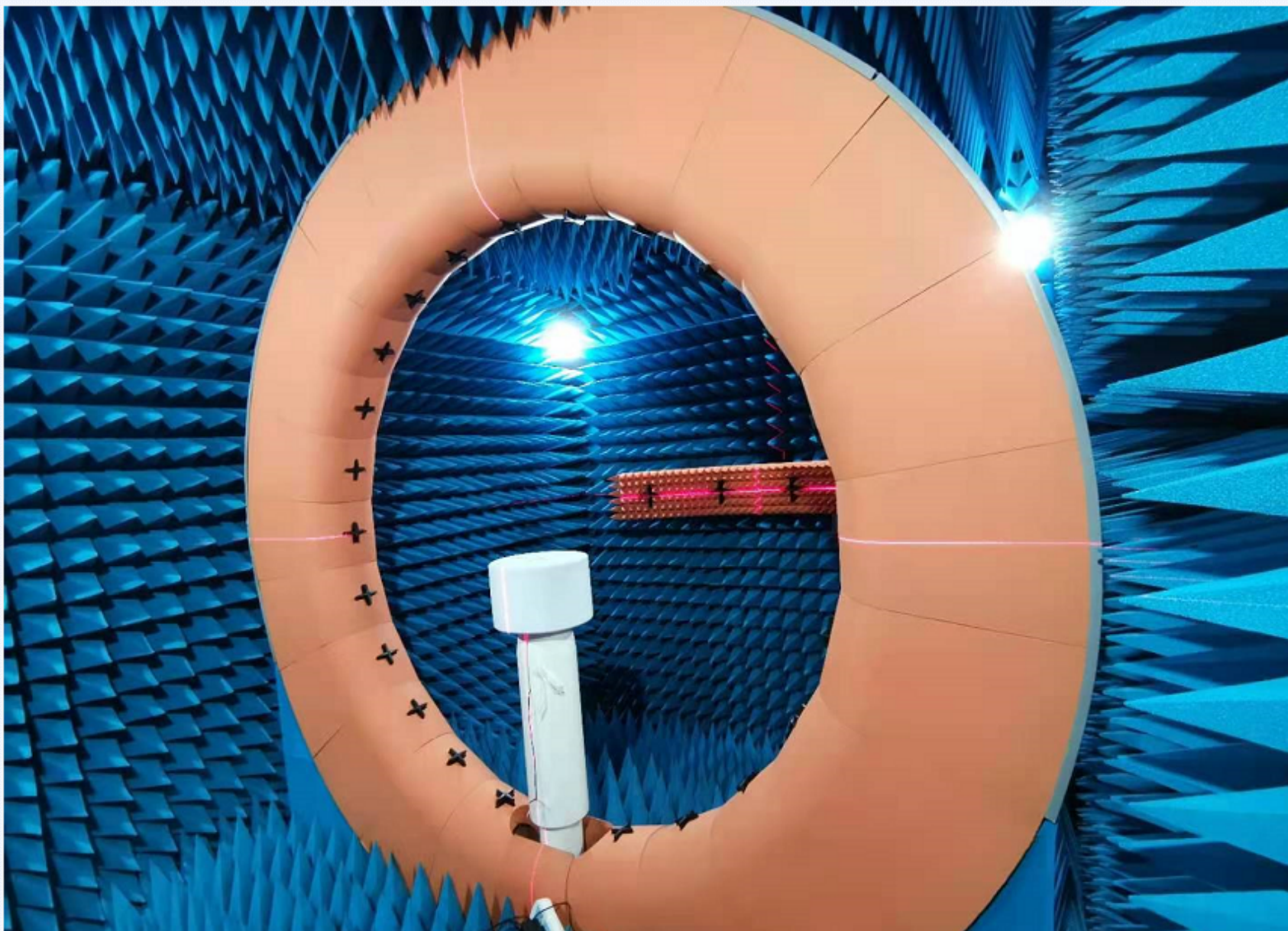
Shenzhen Anchuang Zhilian Electronics Co., Ltd

Antenna debugging report

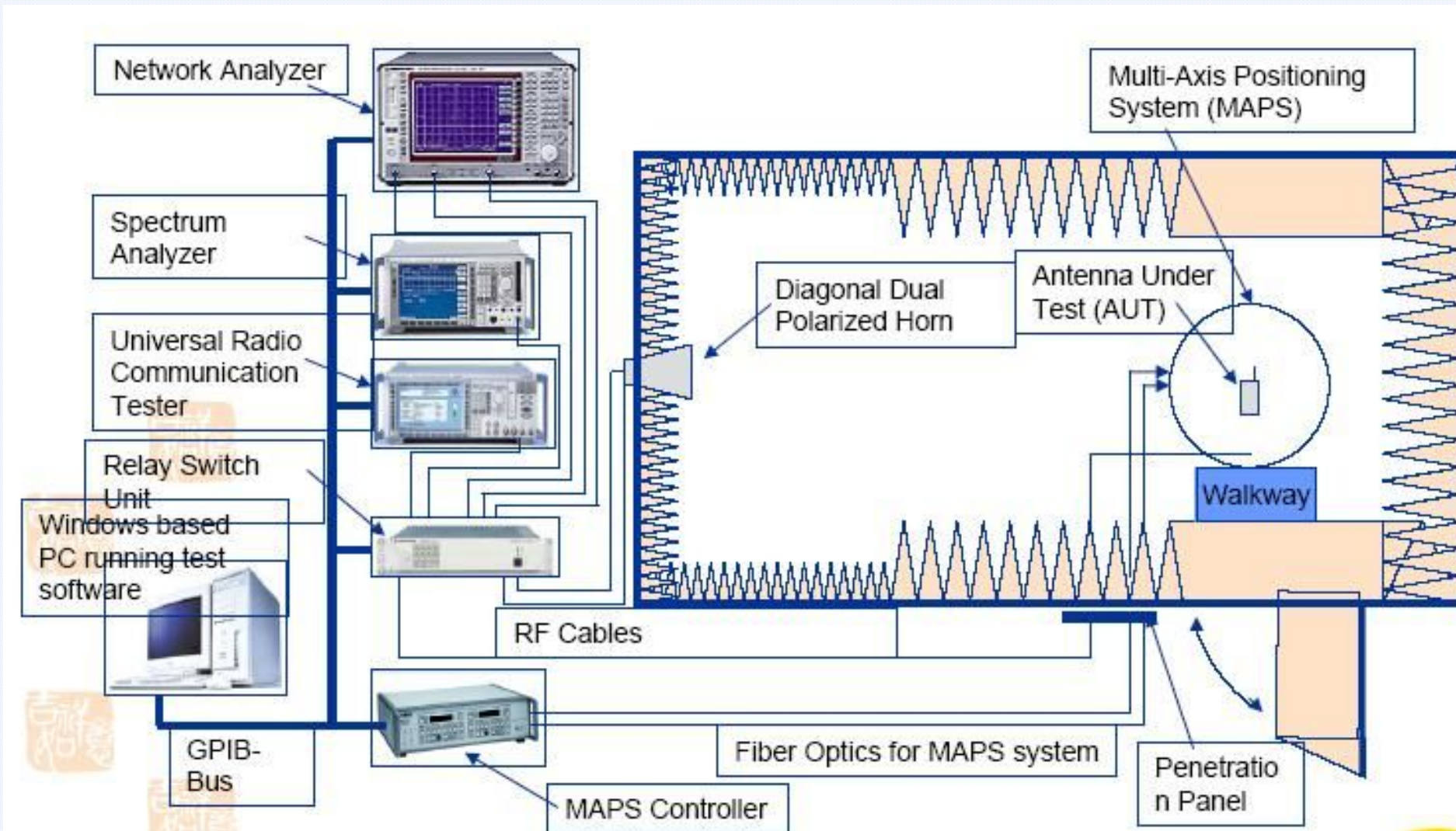
project information

custom:	Jarvis	Project - Motherboa rd	F8	date	2023.8.17
Frequency band	2400-2500 5100-5800				
Antenna Structure	FPC+black 0.81 second-generation terminal 70MM black bottom				
RF Engineeri ng	Yi Longhui				
Structura l engineeri ng	Liu Gong				
Report version	V1.0				

SATIMOdarkroom



test system



testing environment

testing
environme
nt

XH-IOE MPS2440 Test System

ambient
temperatur
e

23°C

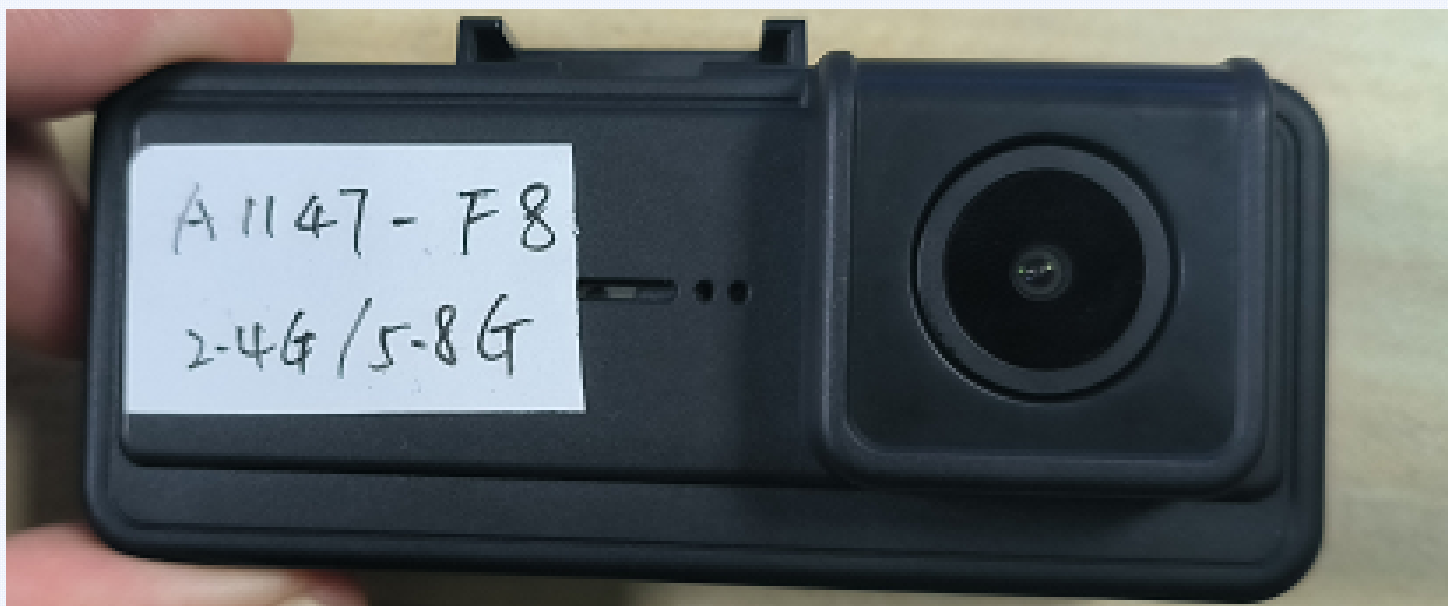
ambient
humidity

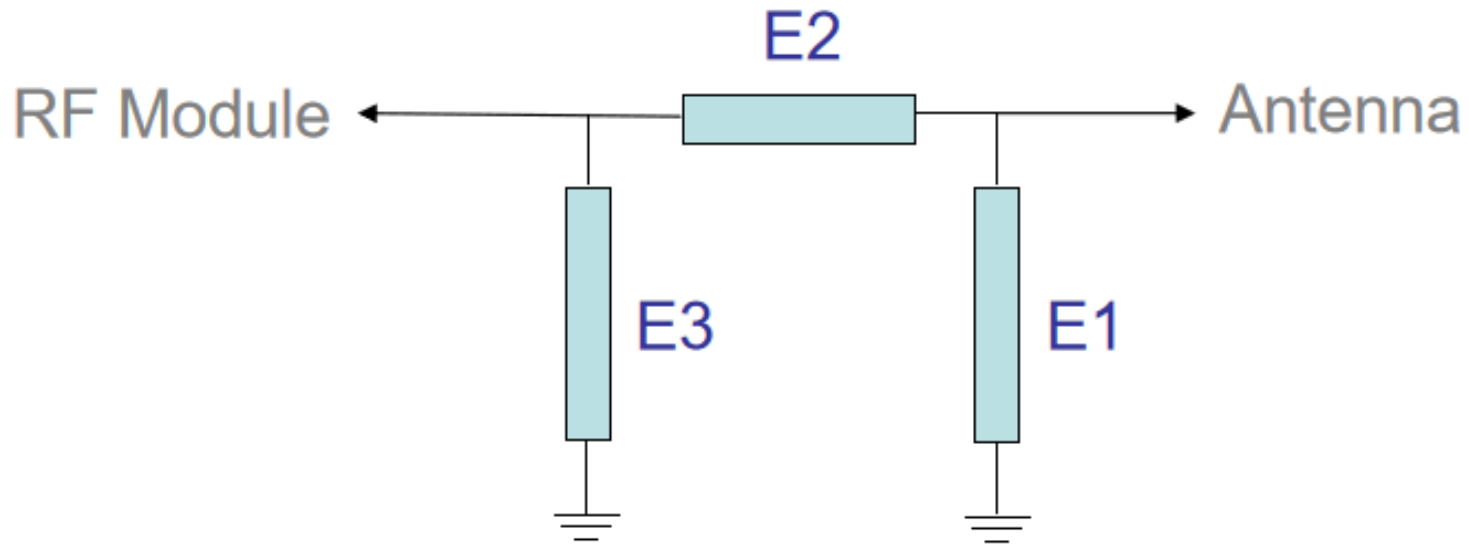
52%

Ambient air
pressure

101KPa

- 1、 product drawing
- 2、 matching circuit
- 3、 test data

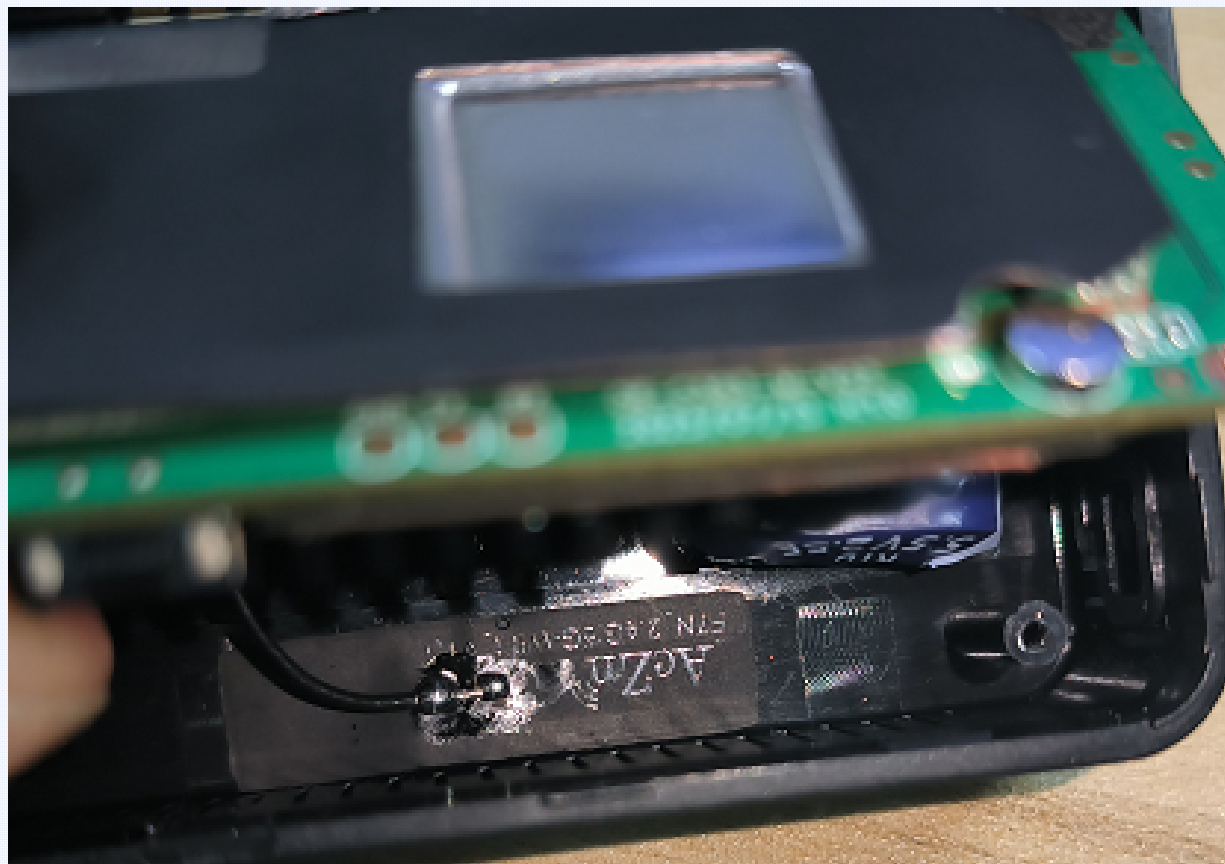




Element	Value
E1(0402)	
E2(0402)	
E3(0402)	
No changes made to the original match	

Frequency / MHz	Efficiency / dB	Efficiency / %	Gain/ dBi
2400	-4.68	34.04	0.56
2410	-4.49	35.56	0.42
2420	-4.51	35.4	0.74
2430	-4.6	34.67	0.38
2440	-4.33	36.9	0.73
2450	-4.45	35.89	0.59
2460	-4.67	34.12	0.16
2470	-4.53	35.24	0.4
2480	-4.6	34.67	0.06
2490	-4.83	32.89	-0.04
2500	-4.52	35.32	0.04

5100	-2.87	51.64	4.18
5150	-3.28	46.99	3.72
5200	-3.2	47.86	4.1
5250	-3.53	44.36	3.91
5300	-3.37	46.03	4.41
5350	-3.29	46.88	4.55
5400	-3.6	43.65	4
5450	-3.31	46.67	4.07
5500	-3.33	46.45	3.95
5550	-3.43	45.39	3.87
5600	-3.27	47.1	3.79
5650	-3.49	44.77	3.36
5700	-3.43	45.39	3.28
5750	-3.5	44.67	2.89
5800	-3.82	41.5	2.41





Thank You !

